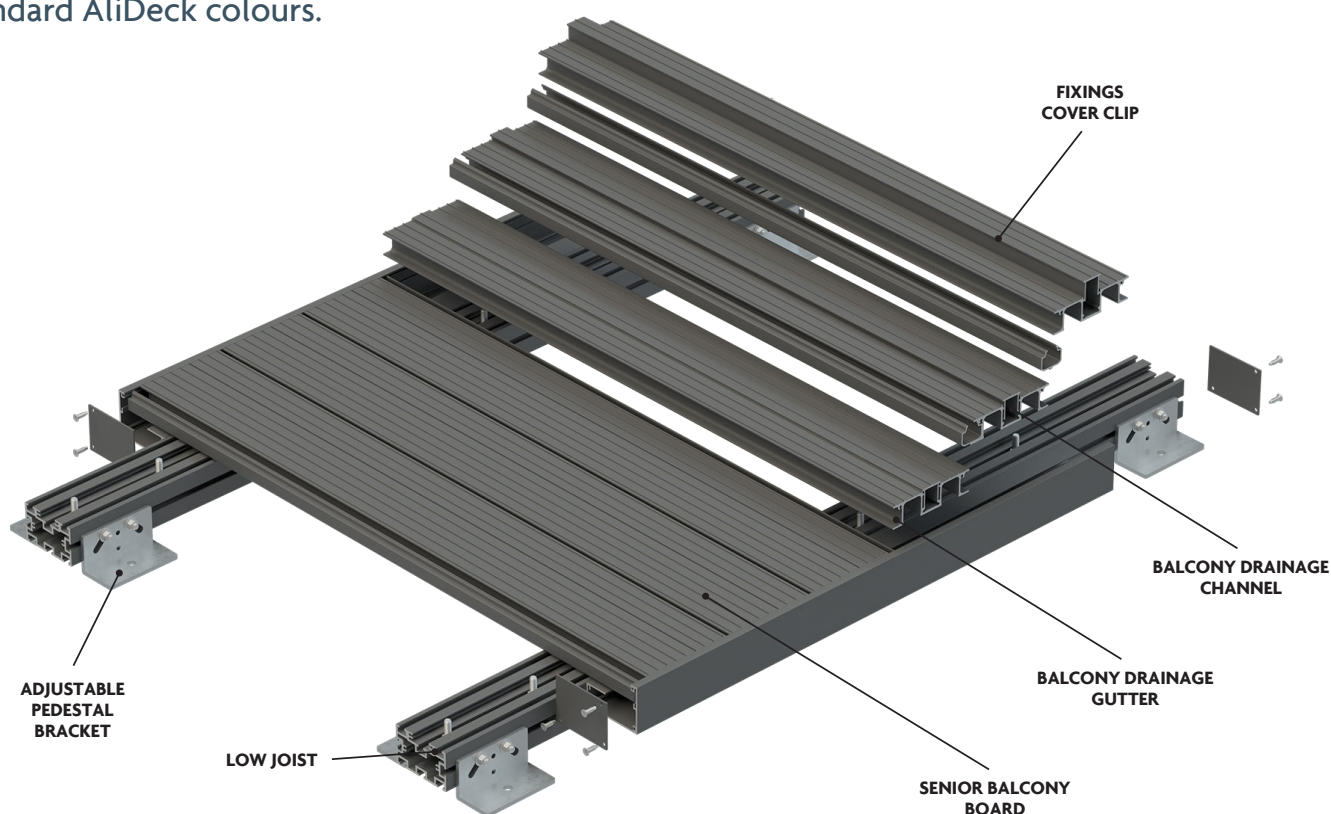


# AliDeck SENIOR BOARD WITH LOW JOIST, ADJUSTABLE PEDESTAL BRACKET & BALCONY DRAINAGE SYSTEM

A comprehensive non-combustible deck system, comprising; decking board, support joist, and positive drainage. Available in 10 standard AliDeck colours.

Specification  
Datasheet

A2-s1, d0  
& A2fl-s1  
FIRE  
RATED



Unit 27  
Rochester Airport Industrial Estate  
Laker Road, Rochester  
Kent ME1 3QX

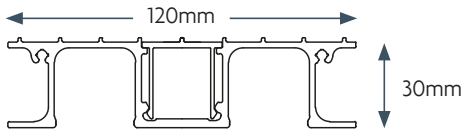
Tel: 01622 235 672  
Email: [info@alideck.co.uk](mailto:info@alideck.co.uk)  
[www.alideck.co.uk](http://www.alideck.co.uk)

 **ALIDECK**™  
Aluminium Decking

# 1. SENIOR BALCONY BOARD

Specifically designed for installation on balconies, the AliDeck Senior Balcony board has been designed with **5 main features** in mind.

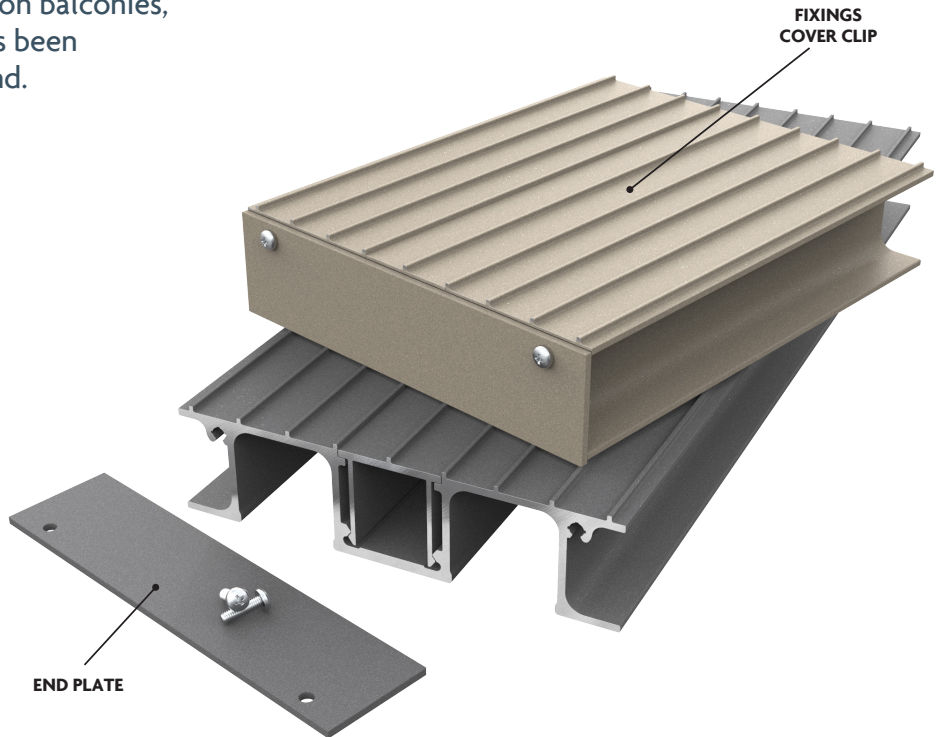
## Dimensions



### INDIVIDUAL BOARDS:

**Length:** 4 & 6 metres  
**Width:** 120mm  
**Depth:** 30mm

The boards can be cut to size along both the length and width



## Benefits include:

### 1 FIRE RESISTANCE

The boards are manufactured completely from aluminium and are therefore fire resistant and non-combustible to **A2-s1, d0** and **A2fl-s1** when coated.

### 2 DRAINAGE

They can also be spaced to allow for varying drainage requirements and are compatible with the AliDeck Balcony Drainage System.

### 3 SLIP RESISTANCE

DIRECTION	CONDITION				1	2	3	4	5	MEAN	PREV	RISK
A	Dry	100	100	100	100	100	100	100	100	100	0	Low
A	Wet	85	86	85	85	84	84	83	82	84	0	Low
B	Dry	76	79	78	78	77	77	76	77	77	0	Low
B	Wet	48	47	46	46	45	44	44	44	45	0	Low
C	Dry	99	99	98	97	97	96	95	97	96	0	Low
C	Wet	59	58	57	56	55	54	54	53	54	0	Low

### 4 INSTALLATION

Speed and ease of installation are key to any project, so we have designed a board that has a unique invisible (structural) top clip system which can be installed from the top down. The board can also be trimmed down the length to match any projection of balcony and still be structurally stable across the whole plank.

### 5 AESTHETICS

Aesthetics are key to a great finish; our boards are designed to look like decking but not to feel like aluminium.

Please Note: The test is conducted 8 times, with the first three tests being 'warm up tests' the data then starts to be recorded upon the 4th test. The average is taken from the 5 tests and is shown in the column marked MEAN.

The directions are; Length, Width & Diagonal. Each direction has a score depending on wet and dry conditions. Direction **A** is length, direction **B** is width, and direction **C** is diagonal.

The tests were carried out in accordance with BS7976 part 2.

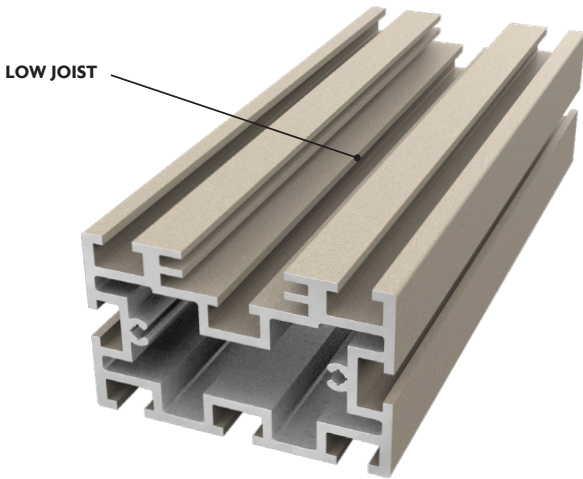
The full test report is available for download from our website.

**Pendulum Test Values (PTVs)** - Low Slip Potential 35+ | Moderate Slip Potential 25-35 | High Slip Potential 0-25

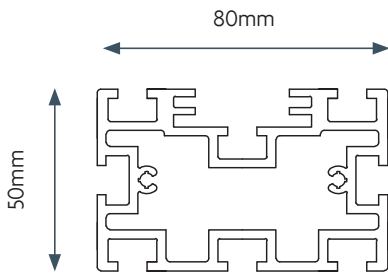
For more information on these products or if you have a technical question please contact us on **01622 235 672** or email **info@alideck.co.uk**.

## 2. LOW JOIST

The **AliDeck Low-Joist** is an integral part of the Ali-Deck System! This extrusion is designed to act a support and a joist for the junior and big span balcony board specifically on concrete balconies and terrace areas that require adjustable heights. This joist is designed to work in conjunction with the AliDeck adjustable pedestal and the rest of the AliDeck deck board range.



### Dimensions



#### LOW JOIST SPAN CAPABILITIES:

The Low Joist can span a maximum of 1200mm between pedestals on a 4kN Loading.

### Benefits include:

- **Fire Rated:** A2-s1, d0 & A2fl-s1
- **Weight:** 3.11kg per linear metre
- **Coating Thickness:** 60-80 Microns
- **Colours:** Full Range of AliDeck Colours
- **Stock Extrusion Length:** 6m
- **Span:** Up to 1200mm
- **Warranty:** 30 Years
- **Life Expentancy:** 60 Years

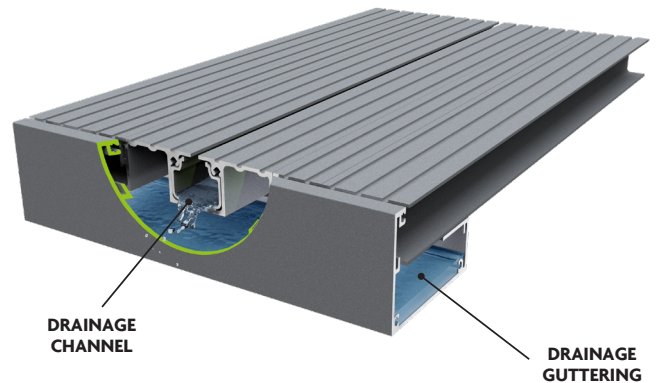
## 3. ADJUSTABLE PEDESTAL BRACKET

**Low Profile Adjustable Brackets** are a solution driven product, specifically designed for installations where a low threshold is required but can be used for build-up heights of 200mm and higher if needed. This A1 fire rated product is cost effective and quick to install. It works seamlessly with all of our Joists.

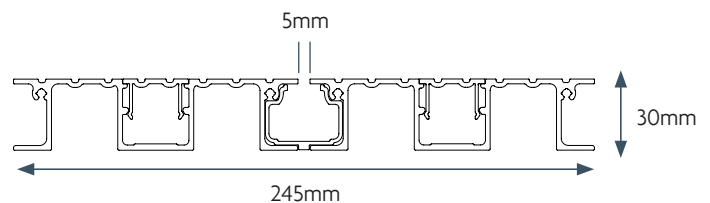


## 4. BALCONY DRAINAGE SYSTEM

Specifically designed to aid in drainage from the top surface of balconies, decking platforms and walkways.



### Dimensions



#### INDIVIDUAL BOARDS:

- Length:** 6 metres
- Width:** 32mm
- Depth:** 18mm (20mm drain)  
28mm (30mm drain)

The Drain Channels can easily be cut to length using a chop saw

# Product Specification

- Fire resistant: A2-s1, d0 and A2fl-s1
- Board slip resistance in the dry – see table on page 2
- Board slip resistant in the wet – see table on page 2
- Coating thickness - 60-80 microns
- Impact test - with an energy of 2.5Km to ensure that the coating adheres to the substrate to EN ISO 6272 / ASTM D2794
- Bend test - on 5mm mandrel to ensure adhesion after bending to EN ISO 1519
- Machu Test (accelerated corrosion test) - in a solution made up of sodium chloride acetic acid and hydrogen peroxide at 37degrees C Duration 48 hours
- Qualicoat 2.4.1. - cross hatch cuts are made at 2mm spacings with one being at 90 degrees to the other cut, tape is the applied left for 2 minutes and removed to check for adhesion of paint (EN ISO 2409 2013)
- Qualicoat 2.18 - sawing and drilling test to ensure no flaking after cutting (using sharp tools)
- Acid salt spray test - ISO 9227
- EN ISO 3231 - Resistance to humid atmospheres containing Sulphur Dioxide
- EN ISO 11341 - Accelerated weathering test
- EN ISO 20810 - Natural weathering test (Florida Test) (Carried out on Powder Type)
- EN ISO 12206-1 - Resistance to mortar (Carried out on powder type)
- EN ISO 6270 – 2 - Constant climate condensation water test.

## Installation

The AliDeck aluminium decking boards are 50% quicker to install compared to other decking systems on the market. This is because you only need to install the AliDeck Supa Joists or support system up to every 1.2 metres on a 4kN loading, whereas most other decking systems require joists every 400mm. Full installation videos and installation guides are available on [www.alideck.co.uk](http://www.alideck.co.uk).

## Construction

The boards are constructed completely from 100% aluminium (6063 T6 grade), up to 67% of which has been recycled to make these boards eco-friendly and much better for the environment.

## Maintenance

Due to the fact that AliDeck is aluminium and finished using the 5 stage Qualicoat system, little or no maintenance is required. General grime can be removed simply with a damp, lint free cloth or mop with warm soapy water.

## Colour Options

AliDeck Boards and Joists are available in our full range of standard colours. Please refer to our Standard Colour Range datasheet for colour options (available at [www.alideck.co.uk/downloads](http://www.alideck.co.uk/downloads)).

Non-standard colours are available on request as special orders, but may affect cost and lead-time. The Boards and Joists can be supplied non-coated/mill finish to achieve A1 fire rating.



## Protective Finish

The planks are coloured using the Qualicoat powder coating finish. Qualicoat is a quality label organisation committed to maintaining and promoting the quality of coating on aluminium and its alloys for architectural applications.

## Warranty

The decking is supplied with a **30 year warranty** against splitting, cracking, warping, splintering, rotting, twisting and material or manufacturing defects. It has a minimum **60 year life** expectancy.



ALL  
ALUMINIUM



HEAT  
RESISTANT



DURABLE  
TEXTURED FINISH



LOW  
MAINTENANCE



RECYCLABLE



STABLE IN ALL  
WEATHER  
CONDITIONS



A2-s1, d0 & A2fl-s1  
FIRE RATED

Unit 27  
Rochester Airport Industrial Estate  
Laker Road, Rochester  
Kent ME1 3QX

Tel: 01622 235 672  
Email: [info@alideck.co.uk](mailto:info@alideck.co.uk)  
[www.alideck.co.uk](http://www.alideck.co.uk)

 **ALIDECK**™  
Aluminium Decking