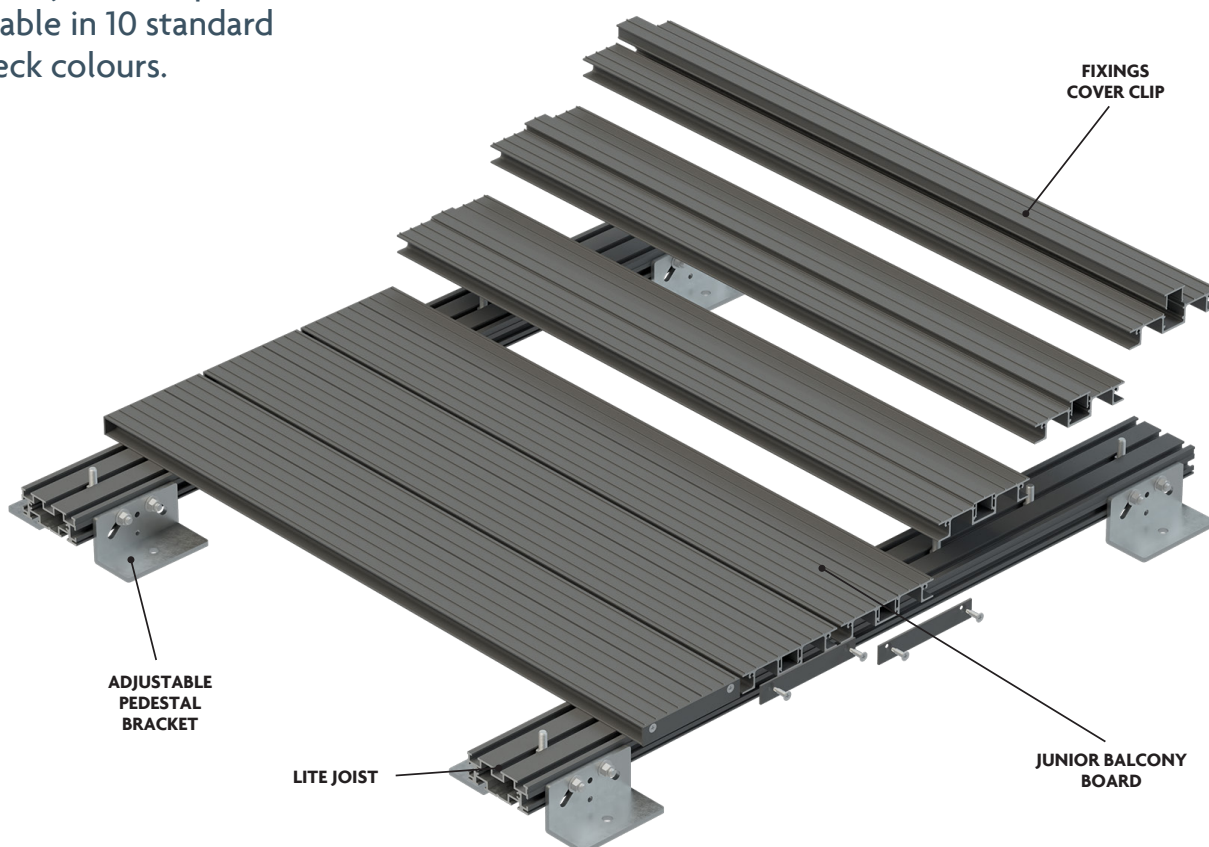


# AliDeck JUNIOR BOARD WITH LITE JOIST AND ADJUSTABLE PEDESTAL BRACKET

A comprehensive non-combustible deck system, comprising; decking board, support joist, and pedestals. Available in 10 standard AliDeck colours.

Specification  
Datasheet

A2-s1, d0  
& A2fl-s1  
FIRE  
RATED



Unit 27  
Rochester Airport Industrial Estate  
Laker Road, Rochester  
Kent ME1 3QX

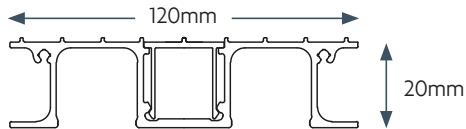
Tel: 01622 235 672  
Email: [info@alideck.co.uk](mailto:info@alideck.co.uk)  
[www.alideck.co.uk](http://www.alideck.co.uk)

 **ALIDECK**™  
Aluminium Decking

# 1. JUNIOR BALCONY BOARD

Specifically designed for installation on balconies, the AliDeck Junior Balcony board has been designed with **5 main features** in mind.

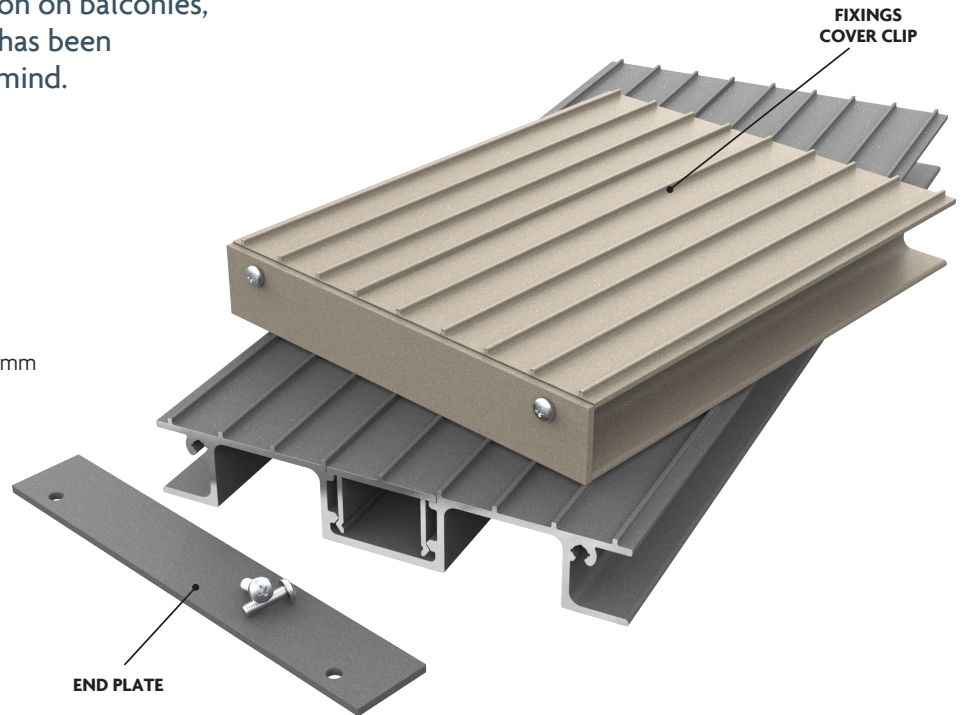
## Dimensions



### INDIVIDUAL BOARDS:

**Length:** 4 & 6 metres  
**Width:** 120mm  
**Depth:** 20mm

The boards can be cut to size along both the length and width



## Benefits include:

### 1 FIRE RESISTANCE

The boards are manufactured completely from aluminium and are therefore fire resistant and non-combustible to **A2-s1, d0** and **A2fl-s1** when coated.

### 2 DRAINAGE

They can also be spaced to allow for varying drainage requirements and are compatible with the AliDeck Balcony Drainage System.

### 3 SLIP RESISTANCE

DIRECTION	CONDITION				1	2	3	4	5	MEAN	PREV	RISK
A	Dry	100	100	100	100	100	100	100	100	100	0	Low
A	Wet	85	86	85	85	84	84	83	82	84	0	Low
B	Dry	76	79	78	78	77	77	76	77	77	0	Low
B	Wet	48	47	46	46	45	44	44	44	45	0	Low
C	Dry	99	99	98	97	97	96	95	97	96	0	Low
C	Wet	59	58	57	56	55	54	54	53	54	0	Low

Pendulum Test Values (PTVs) - Low Slip Potential 35+ | Moderate Slip Potential 25-35 | High Slip Potential 0-25

### 4 INSTALLATION

Speed and ease of installation are key to any project, so we have designed a board that has a unique invisible (structural) top clip system which can be installed from the top down. The board can also be trimmed down the length to match any projection of balcony and still be structurally stable across the whole plank.

### 5 AESTHETICS

Aesthetics are key to a great finish; our boards are designed to look like decking but not to feel like aluminium.

Please Note: The test is conducted 8 times, with the first three tests being 'warm up tests' the data then starts to be recorded upon the 4th test. The average is taken from the 5 tests and is shown in the column marked MEAN.

The directions are; Length, Width & Diagonal. Each direction has a score depending on wet and dry conditions. Direction **A** is length, direction **B** is width, and direction **C** is diagonal.

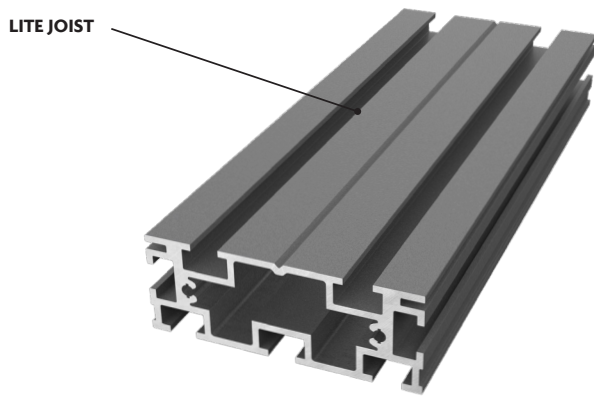
The tests were carried out in accordance with BS7976 part 2.

The full test report is available for download from our website.

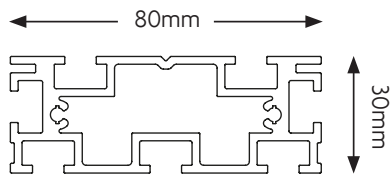
For more information on these products or if you have a technical question please contact us on **01622 235 672** or email **info@alideck.co.uk**.

## 2. LITE JOIST

The **AliDeck Lite Joist** is an integral part of the AliDeck system! This extrusion has been designed for installations where you have a very low threshold situation, if you require a minimum build up height of 50mm or above this is the perfect solution (when used with our 20mm range of boards) This joist can be used with either our adjustable pedestal brackets or our multi-directional adjustable pedestals for complete height adjustment.



## Dimensions



### LITE JOIST SPAN CAPABILITIES:

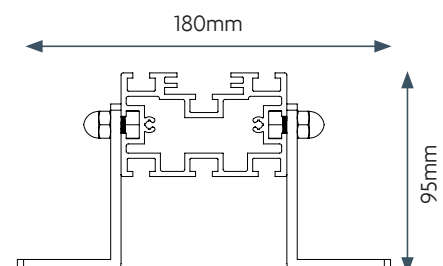
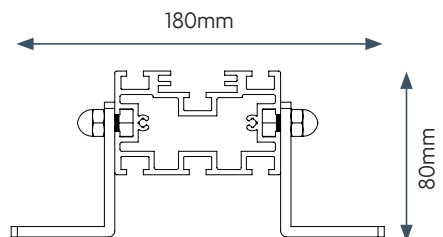
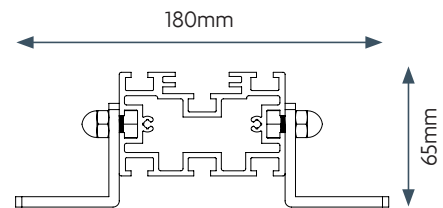
The Lite Joist can span a maximum of 800mm between pedestals on a 4kN Loading.

## Benefits include:

- **Fire Rated:** A1 (mill finish), A2-s1, d0 & A2fl-s1
- **Weight:** 1.926kg per linear metre
- **Coating Thickness:** 60-80 Microns
- **Colours:** Full Range of AliDeck Colours
- **Stock Extrusion Length:** 6m
- **Span:** Up to 800mm
- **Warranty:** 30 Years
- **Life Expectancy:** 60 Years

## 3. ADJUSTABLE PEDESTAL BRACKET

**Low Profile Adjustable Brackets** are a solution driven product, specifically designed for installations where a low threshold is required but can be used for build-up heights of 200mm and higher if needed. This A1 fire rated product is cost effective and quick to install. It works seamlessly with all of our Joists.



# Product Specification

- Fire resistant: A2-s1, d0 and A2fl-s1
- Board slip resistance in the dry – see table on page 2
- Board slip resistant in the wet – see table on page 2
- Coating thickness - 60-80 microns
- Impact test - with an energy of 2.5Km to ensure that the coating adheres to the substrate to EN ISO 6272 / ASTM D2794
- Bend test - on 5mm mandrel to ensure adhesion after bending to EN ISO 1519
- Machu Test (accelerated corrosion test) - in a solution made up of sodium chloride acetic acid and hydrogen peroxide at 37degrees C Duration 48 hours
- Qualicoat 2.4.1. - cross hatch cuts are made at 2mm spacings with one being at 90 degrees to the other cut, tape is the applied left for 2 minutes and removed to check for adhesion of paint (EN ISO 2409 2013)
- Qualicoat 2.18 - sawing and drilling test to ensure no flaking after cutting (using sharp tools)
- Acid salt spray test - ISO 9227
- EN ISO 3231 - Resistance to humid atmospheres containing Sulphur Dioxide
- EN ISO 11341 - Accelerated weathering test
- EN ISO 20810 - Natural weathering test (Florida Test) (Carried out on Powder Type)
- EN ISO 12206-1 - Resistance to mortar (Carried out on powder type)
- EN ISO 6270 – 2 - Constant climate condensation water test.

## Protective Finish

The planks are coloured using the Qualicoat powder coating finish. Qualicoat is a quality label organisation committed to maintaining and promoting the quality of coating on aluminium and its alloys for architectural applications.

## Installation

The AliDeck Aluminium decking boards are 50% quicker to install compared to other decking systems on the market. These boards are fixed from the top down so required no fancy, fiddly fixings. It can also span 600mm between joists on a 4KN loading. Specific loading specifications are available on request. Full installation videos and installation guides are available on [www.alideck.co.uk](http://www.alideck.co.uk).

## Construction

The boards are constructed completely from 100% aluminium (6063 T6 grade), up to 67% of which has been recycled to make these boards eco-friendly and much better for the environment.

## Maintenance

Due to the fact that AliDeck is aluminium and finished using the 5 stage Qualicoat system, little or no maintenance is required. General grime can be removed simply with a damp, lint free cloth or mop with warm soapy water.

## Colour Options

AliDeck Boards and Joists are available in our full range of standard colours. Please refer to our Standard Colour Range datasheet for colour options (available at [www.alideck.co.uk/downloads](http://www.alideck.co.uk/downloads)).

Non-standard colours are available on request as special orders, but may affect cost and lead-time. The Boards and Joists can be supplied non-coated/mill finish to achieve A1 fire rating.



## Warranty

The decking is supplied with a **30 year warranty** against splitting, cracking, warping, splintering, rotting, twisting and material or manufacturing defects. It has a minimum **60 year life** expectancy.



ALL ALUMINIUM



HEAT RESISTANT



DURABLE TEXTURED FINISH



LOW MAINTENANCE



RECYCLABLE



STABLE IN ALL WEATHER CONDITIONS



A2-s1, d0 & A2fl-s1 FIRE RATED

Unit 27  
Rochester Airport Industrial Estate  
Laker Road, Rochester  
Kent ME1 3QX

Tel: 01622 235 672  
Email: [info@alideck.co.uk](mailto:info@alideck.co.uk)  
[www.alideck.co.uk](http://www.alideck.co.uk)

 **ALIDECK**™  
Aluminium Decking