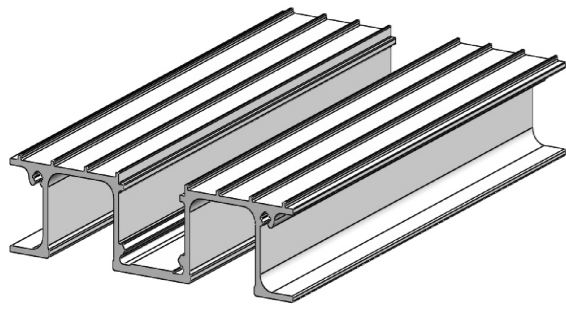


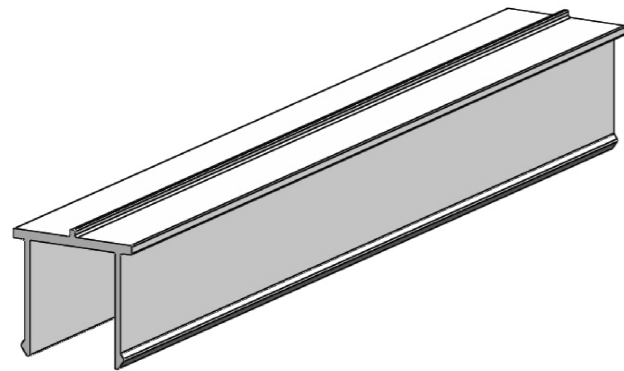
(Alideck - Balcony Drainage System) - (Installation Guide)

Notes.
Example Sections of Senior Balcony Board

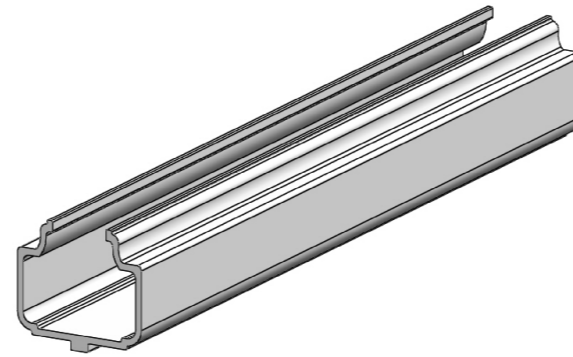
A. Senior Balcony Board



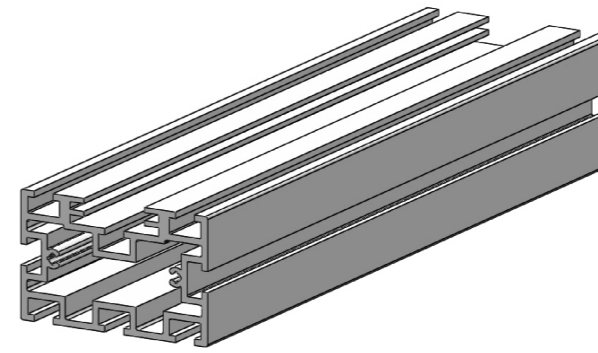
B. Senior Balcony Board Clip



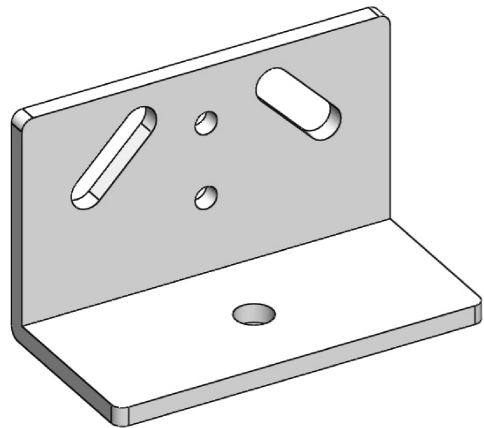
C. Senior Balcony Board Drainage Channel



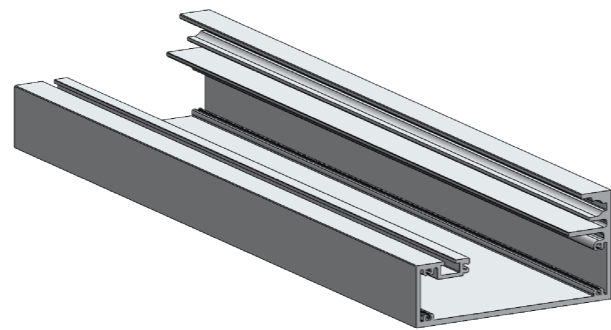
D. Low Joist



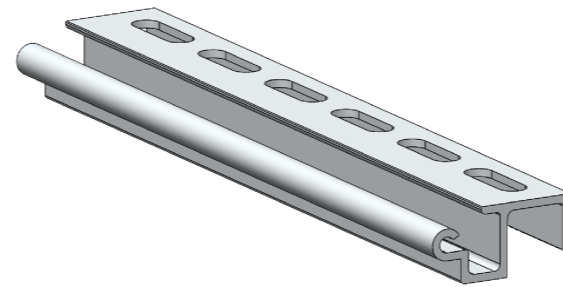
E. Pedestal Bracket



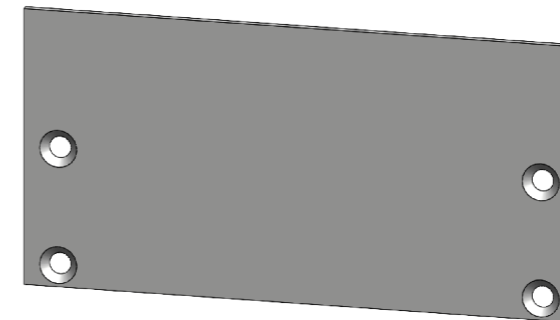
F. Access Gutter



G. Access Gutter Cover



H. Gutter End Plate



I. Spigot Outlet



J. Sikaflex Tube



Customer Sign Off.

Sign _____

Date _____

Record Of Revision Changes.

1. Creation of drawing (V1)

Colour; Any Standard RAL Colour

Delivery and Storage.

When components are delivered please ensure they are inspected and stored flat, also please ensure they are stored out of the sun. Do not store components upright.

Product Details:

Senior Balcony Board, Senior Balcony Board Clip, Senior Balcony Board Drainage Channel, Low Joist, Pedestal Bracket, Access Gutter, Access Gutter Cover, Gutter End Plate & Spigot Outlet



From

This drawing and the product it displays is the sole property of The Milwood Group any reproduction of this drawing or product without the written permission of The Milwood Group is prohibited.



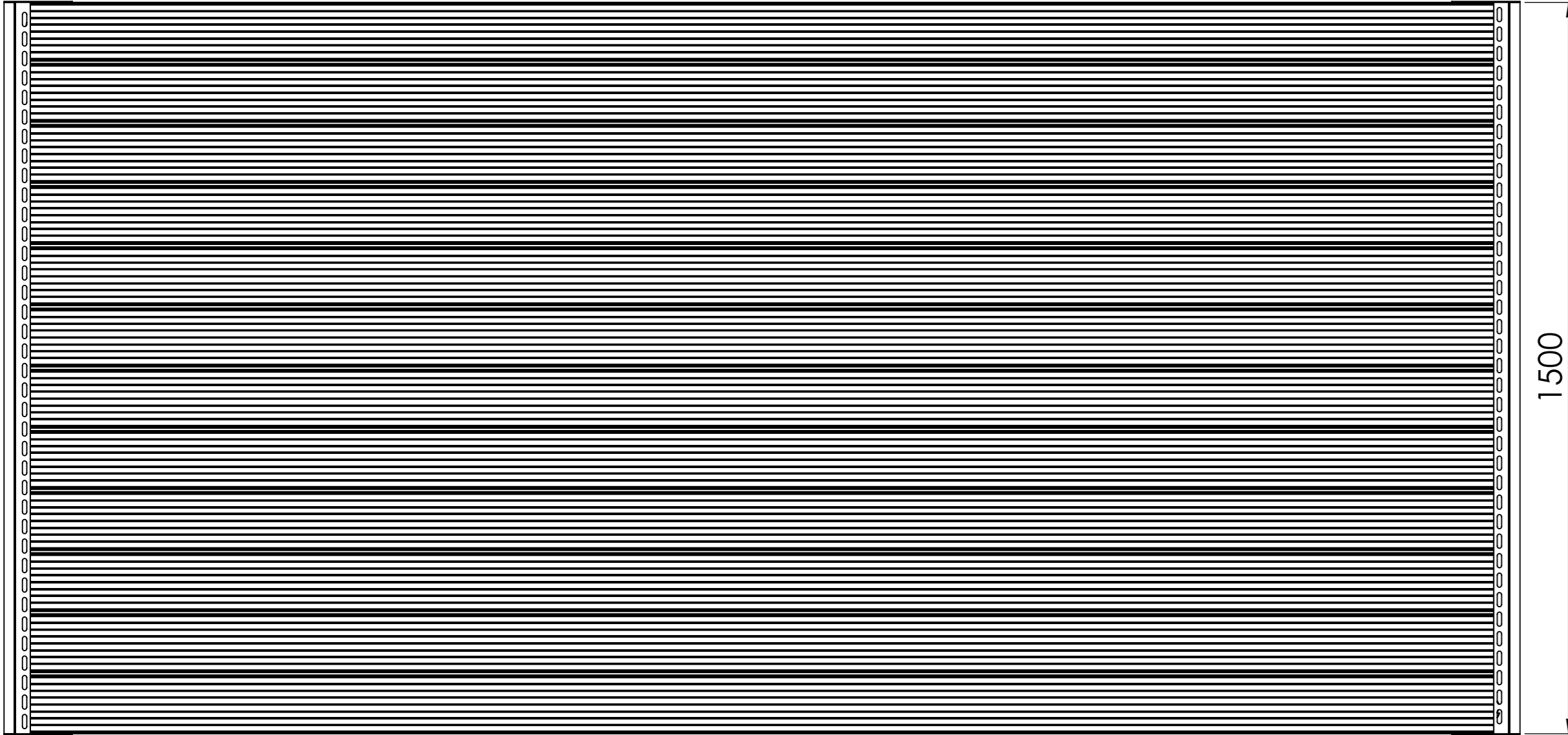
Drawing Title:

(Alideck - Balcony Drainage System) - (Installation Guide)

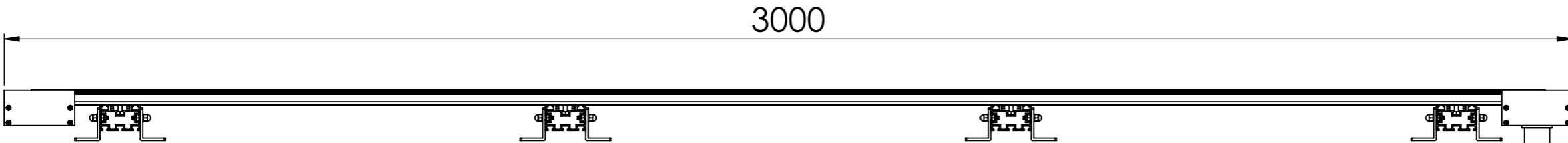
Product:

Senior Balcony Board

Date	Page Size	Scale	Drawn
15-07-21	A3 (L)	DNS	Shyam
Issuer	Sequence	(Tol)	Rev
MIL	000001	+/- 1mm	V2
If in any doubt about details on this drawing call us on 01622 235 672		Finish	Page
	3rd Angle Projection	PPC	1 of 13



1500



3000

Notes.
Example Sections of Senior Balcony Board

Customer Sign Off.
Sign _____
Date _____

Record Of Revision Changes.
1. Creation of drawing (V1)

Colour; Any Standard RAL Colour

Delivery and Storage.
When components are delivered please ensure they are inspected and stored flat, also please ensure they are stored out of the sun. Do not store components upright.

Product Details:
Senior Balcony Board, Senior Balcony Board Clip, Senior Balcony Board Drainage Channel, Low Joist, Pedestal Bracket, Access Gutter, Access Gutter Cover, Gutter End Plate & Spigot Outlet

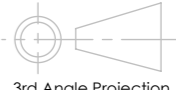


From
This drawing and the product it displays is the sole property of The Milwood Group any reproduction of this drawing or product without the written permission of The Milwood Group is prohibited.



Drawing Title:
(Alideck - Balcony Drainage System) - (Installation Guide)

Product:
Senior Balcony Board

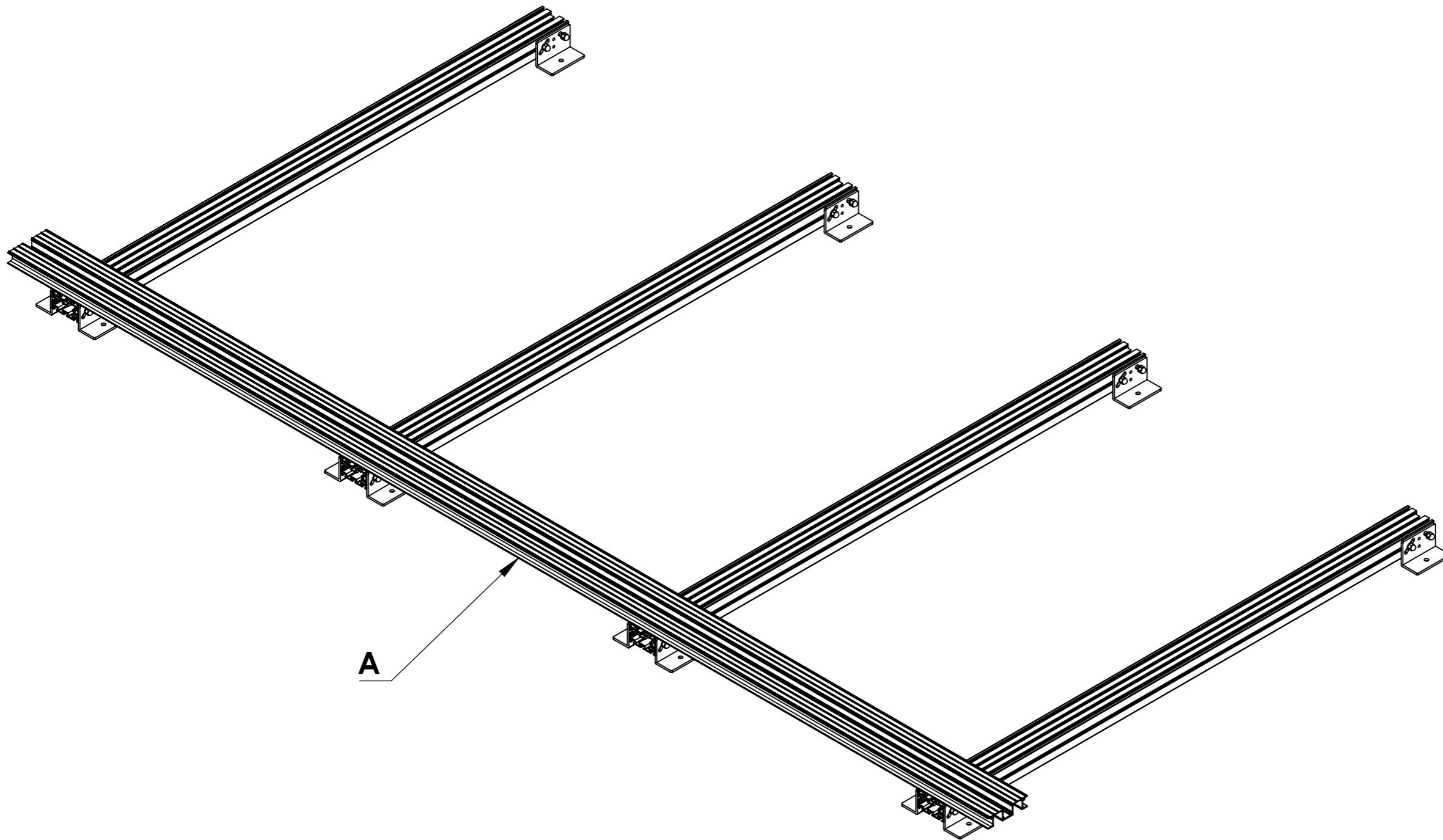
Date 15-07-21	Page Size A3 (L)	Scale DNS	Drawn Shyam
Issuer MIL	Sequence 000001	(Tol) +/- 1mm	Rev V2
If in any doubt about details on this drawing call us on 01622 235 672	 3rd Angle Projection	Finish PPC	Page 2 of 13

Important guidance notes for installation:

1. Please ensure the Gutters are clean, dry and free from dust and dirt prior to installation.
2. Please ensure you do not exceed the span requirements for fixing points on the Boards of 600mm Span for the 20mm Junior Board and 1000mm Span for the 30mm Senior Boards.
3. Ensure you only use approved recommended Gutter Sealers when sealing the Gutters.
4. Consider that you may require a Key Stone Board in the centre of the platform to remove a Board, please refer to the "Key Stone How to Guide".
5. Please ensure that Boards and Drainage Channels are tightly fitted together to reduce the water ingress (5mm gap between the boards).
6. Please allow a minimum of 1/80 fall on the platform to allow water to run away.

Notes.
Example Sections of Senior Balcony Board

Step 1 : Install the first Deck Board.



Customer Sign Off.

Sign _____

Date _____

Record Of Revision Changes.

1. Creation of drawing (V1)

Colour; Any Standard RAL Colour

Delivery and Storage.

When components are delivered please ensure they are inspected and stored flat, also please ensure they are stored out of the sun. Do not store components upright.

Product Details:

Senior Balcony Board, Senior Balcony Board Clip, Senior Balcony Board Drainage Channel, Low Joist, Pedestal Bracket, Access Gutter, Access Gutter Cover, Gutter End Plate & Spigot Outlet



From

This drawing and the product it displays is the sole property of The Milwood Group any reproduction of this drawing or product without the written permission of The Milwood Group is prohibited.

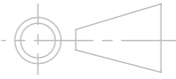


Drawing Title:

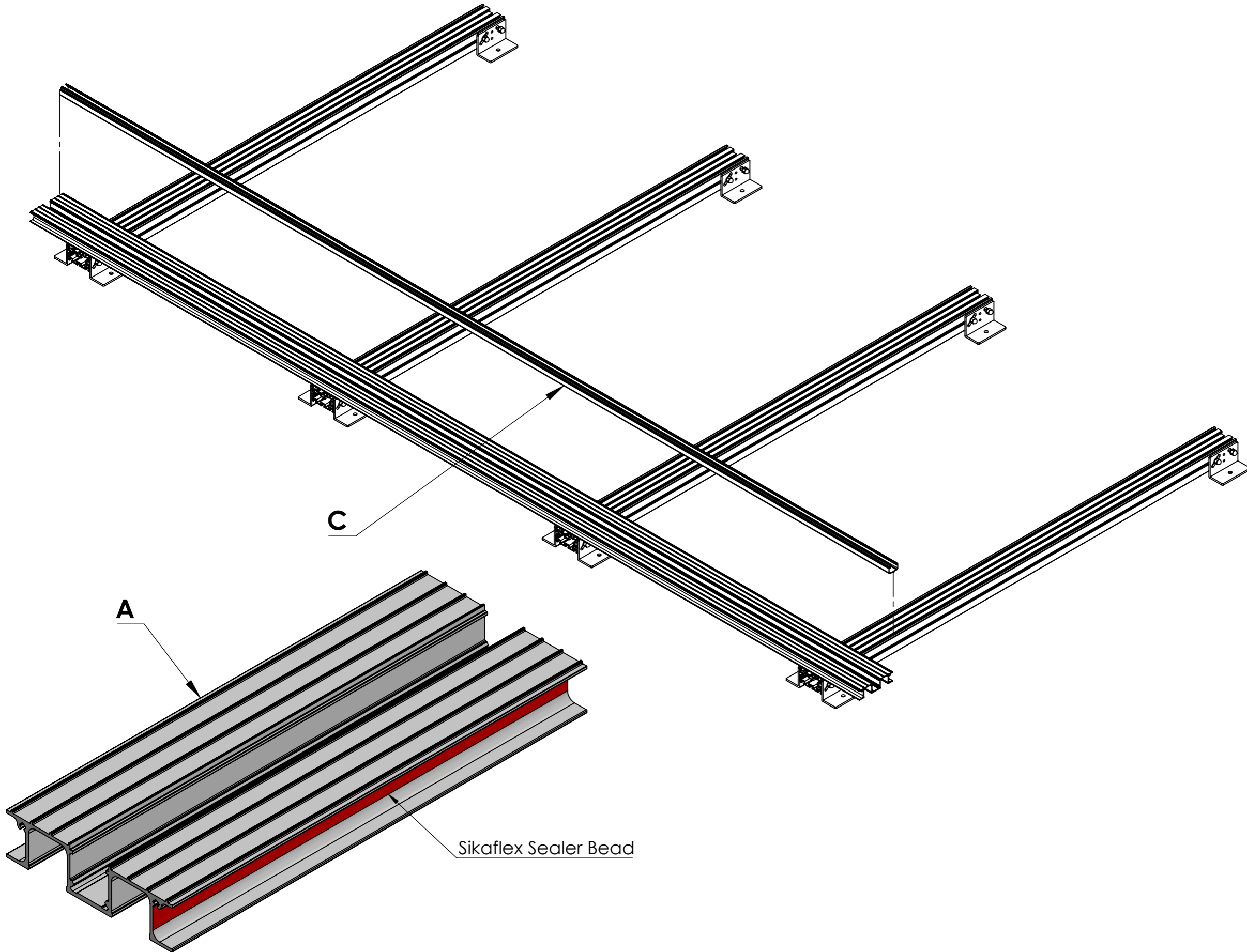
(Alideck - Balcony Drainage System) - (Installation Guide)

Product:

Senior Balcony Board

Date 15-07-21	Page Size A3 (L)	Scale DNS	Drawn Shyam
Issuer MIL	Sequence 000001	(Tol) +/- 1mm	Rev V2
If in any doubt about details on this drawing call us on 01622 235 672	 3rd Angle Projection	Finish PPC	Page 3 of 13

Step 2 : Using the Sikaflex Sealer, please apply a liberal bead of Sealer into the side of the Deck Board Channel as shown in the drawing.



Notes.
Example Sections of Senior Balcony Board

Customer Sign Off.
Sign _____
Date _____

Record Of Revision Changes.
1. Creation of drawing (V1)

Colour; Any Standard RAL Colour

Delivery and Storage.
When components are delivered please ensure they are inspected and stored flat, also please ensure they are stored out of the sun. Do not store components upright.

Product Details:
Senior Balcony Board, Senior Balcony Board Clip, Senior Balcony Board Drainage Channel, Low Joist, Pedestal Bracket, Access Gutter, Access Gutter Cover, Gutter End Plate & Spigot Outlet

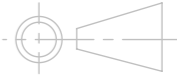


From
This drawing and the product it displays is the sole property of The Milwood Group. any reproduction of this drawing or product without the written permission of The Milwood Group is prohibited.



Drawing Title:
(Alideck - Balcony Drainage System) - (Installation Guide)

Product:
Senior Balcony Board

Date 15-07-21	Page Size A3 (L)	Scale DNS	Drawn Shyam
Issuer MIL	Sequence 000001	(Tol) +/- 1mm	Rev V2
If in any doubt about details on this drawing call us on 01622 235 672	 3rd Angle Projection	Finish PPC	Page 4 of 13

Customer Sign Off.

Sign _____

Date _____

Record Of Revision Changes.

1. Creation of drawing (V1)

Colour; Any Standard RAL Colour

Delivery and Storage.

When components are delivered please ensure they are inspected and stored flat, also please ensure they are stored out of the sun. Do not store components upright.

Product Details:

Senior Balcony Board, Senior Balcony Board Clip, Senior Balcony Board Drainage Channel, Low Joist, Pedestal Bracket, Access Gutter, Access Gutter Cover, Gutter End Plate & Spigot Outlet



From

This drawing and the product it displays is the sole property of The Milwood Group. any reproduction of this drawing or product without the written permission of The Milwood Group is prohibited.

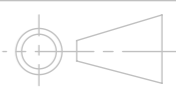


Drawing Title:

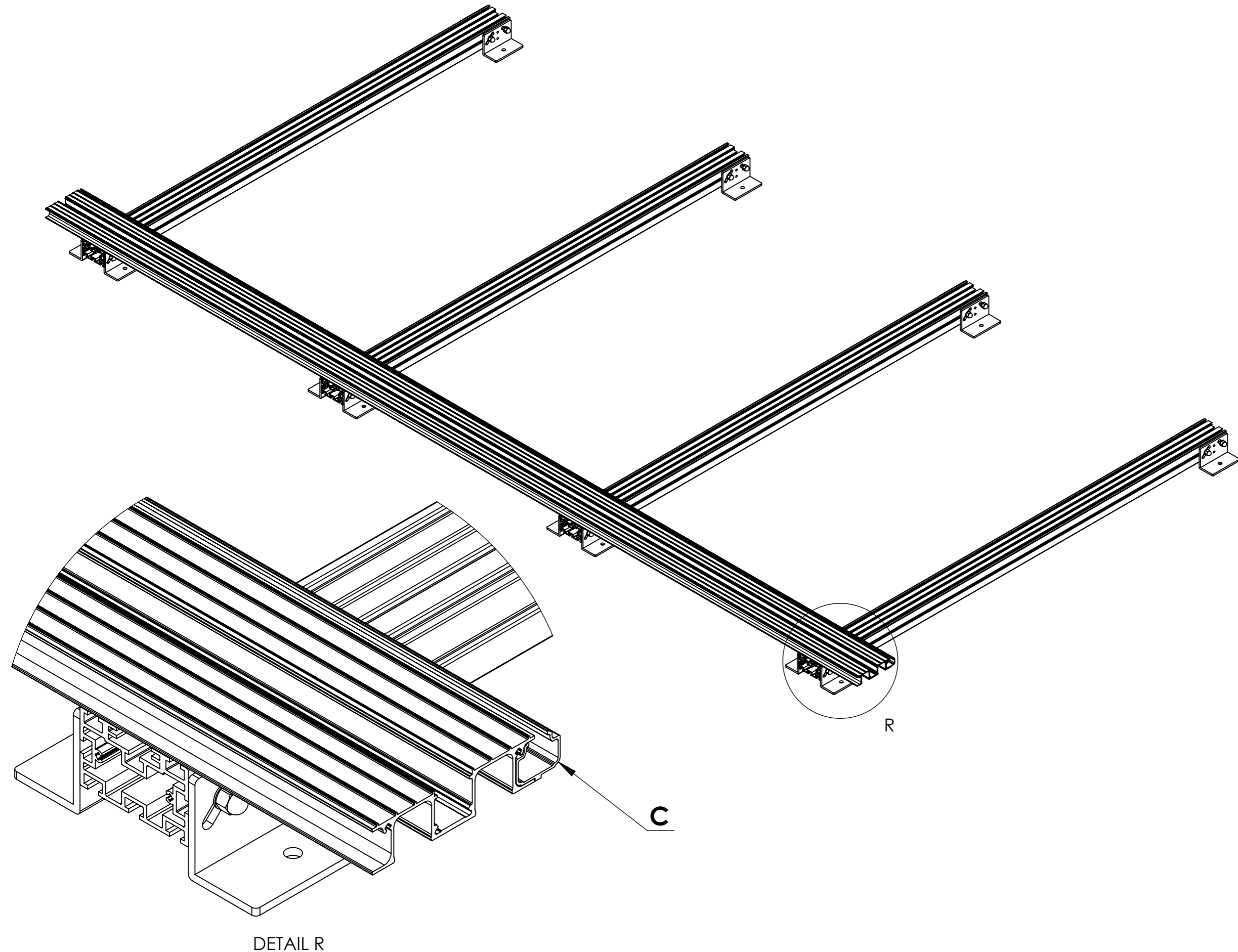
(Alideck - Balcony Drainage System) - (Installation Guide)

Product:

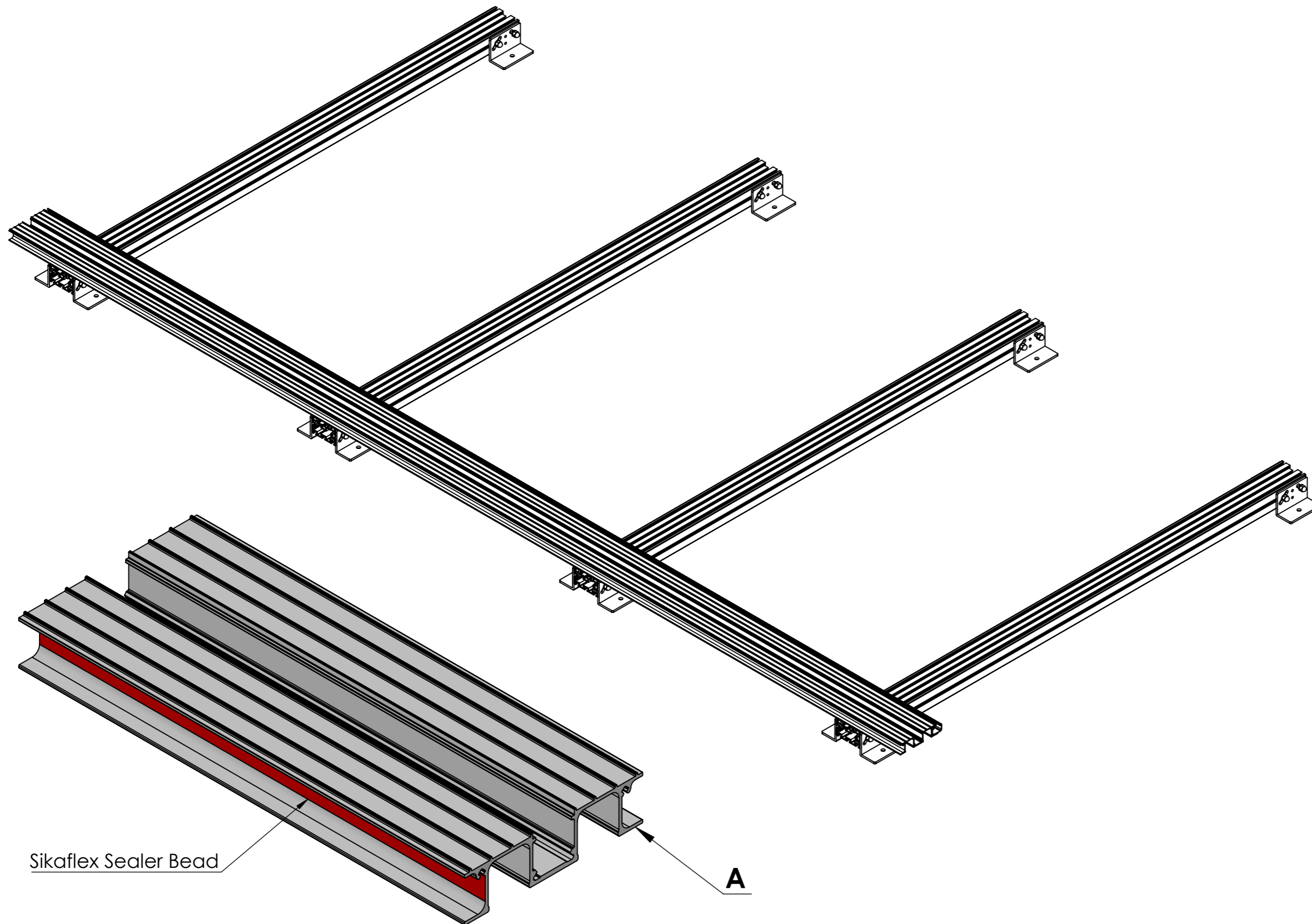
Senior Balcony Board

Date 15-07-21	Page Size A3 (L)	Scale DNS	Drawn Shyam
Issuer MIL	Sequence 000001	(Tol) +/- 1mm	Rev V2
If in any doubt about details on this drawing call us on 01622 235 672	 3rd Angle Projection	Finish PPC	Page 5 of 13

Step 3 : Simply push or tap the Drainage Channel with a rubber mallet until the Channel is pushed all of the way into the edge of the Deck Board.



Step 4 : Now add a liberal bead of Sealer on to the edge of the next Board to ensure you have a continuous bead of Sealer and install the Board ensuring it is pushed as far into the Channel as it will go leaving a 5mm gap.



Sikaflex Sealer Bead

A

Notes.
Example Sections of Senior Balcony Board

Customer Sign Off.

Sign _____

Date _____

Record Of Revision Changes.
1. Creation of drawing (V1)

Colour; Any Standard RAL Colour

Delivery and Storage.
When components are delivered please ensure they are inspected and stored flat, also please ensure they are stored out of the sun. Do not store components upright.

Product Details:
Senior Balcony Board, Senior Balcony Board Clip, Senior Balcony Board Drainage Channel, Low Joist, Pedestal Bracket, Access Gutter, Access Gutter Cover, Gutter End Plate & Spigot Outlet




From

This drawing and the product it displays is the sole property of The Milwood Group any reproduction of this drawing or product without the written permission of The Milwood Group is prohibited.

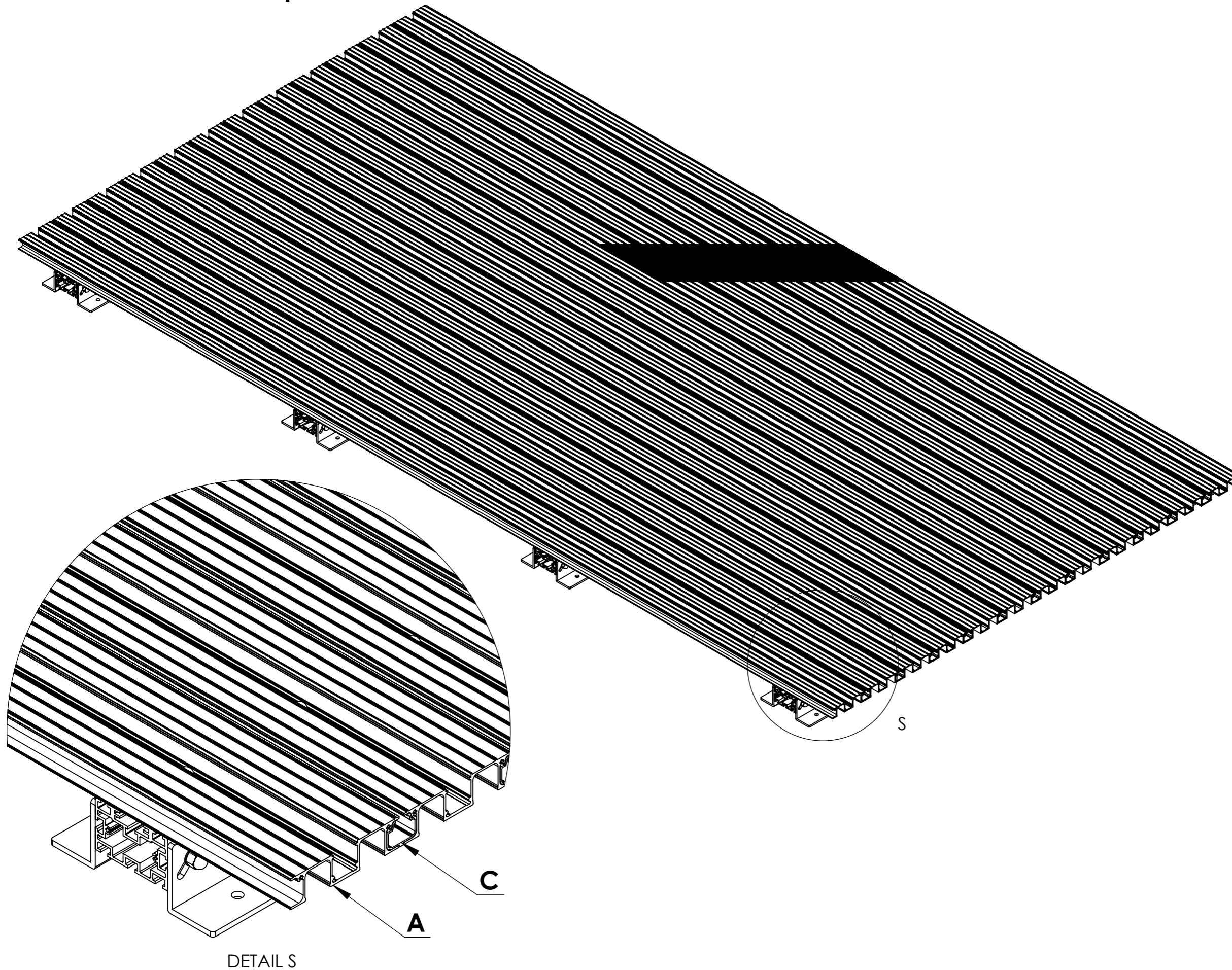


Drawing Title:
(Alideck - Balcony Drainage System) - (Installation Guide)

Product:
Senior Balcony Board

Date 15-07-21	Page Size A3 (L)	Scale DNS	Drawn Shyam
Issuer MIL	Sequence 000001	(Tol) +/- 1mm	Rev V2
If in any doubt about details on this drawing call us on 01622 235 672	 3rd Angle Projection	Finish PPC	Page 6 of 13

Step 5 : Repeat the process ensuring you do not install the Centre Clips into the Boards at this point.



Customer Sign Off.
Sign _____
Date _____

Record Of Revision Changes.
1. Creation of drawing (V1)

Colour; Any Standard RAL Colour

Delivery and Storage.
When components are delivered please ensure they are inspected and stored flat, also please ensure they are stored out of the sun. Do not store components upright.

Product Details:
Senior Balcony Board, Senior Balcony Board Clip, Senior Balcony Board Drainage Channel, Low Joist, Pedestal Bracket, Access Gutter, Access Gutter Cover, Gutter End Plate & Spigot Outlet



From
This drawing and the product it displays is the sole property of The Milwood Group any reproduction of this drawing or product without the written permission of The Milwood Group is prohibited.

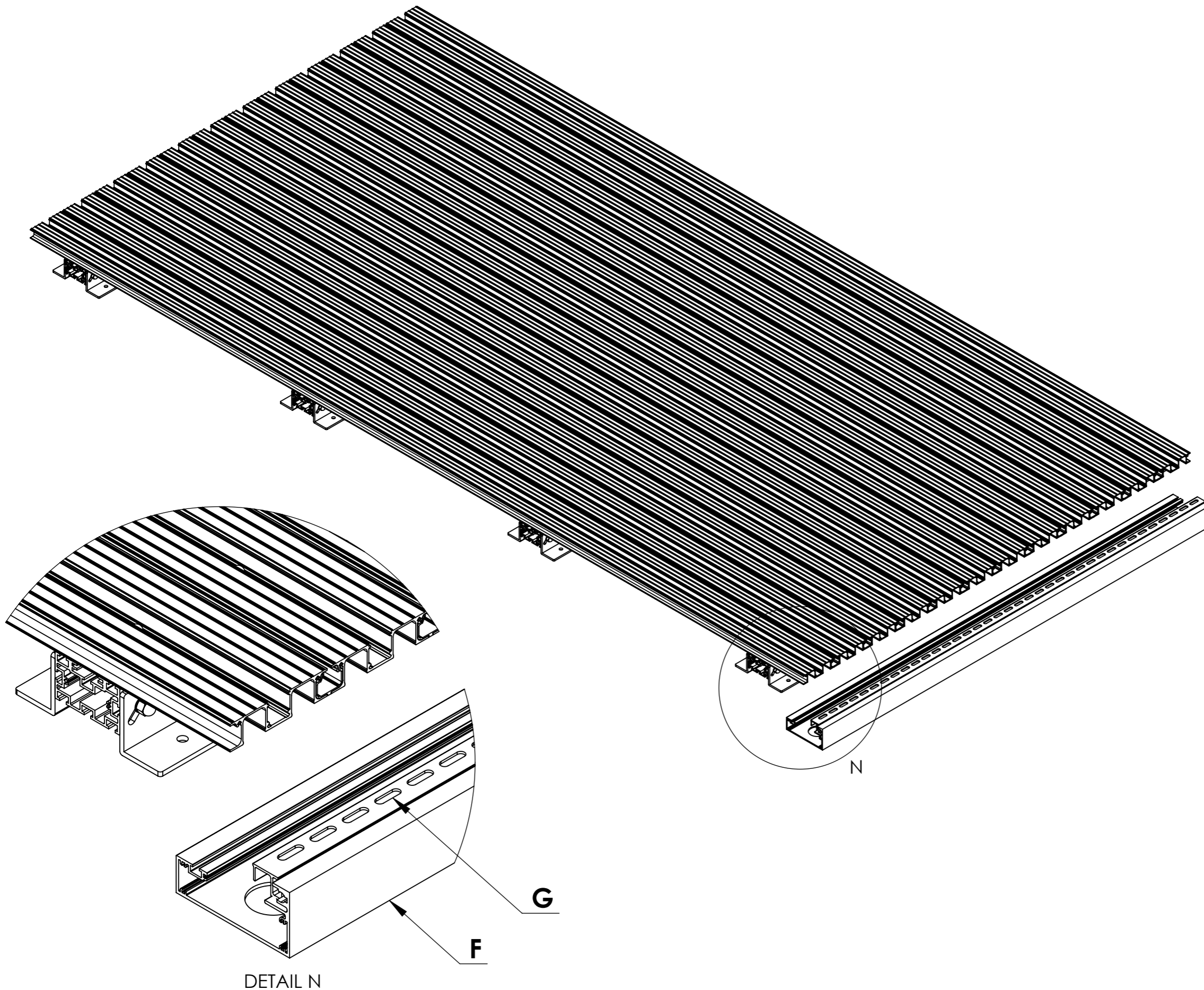


Drawing Title:
(Alideck - Balcony Drainage System) - (Installation Guide)

Product:
Senior Balcony Board

Date 15-07-21	Page Size A3 (L)	Scale DNS	Drawn Shyam
Issuer MIL	Sequence 000001	(Tol) +/- 1mm	Rev V2
If in any doubt about details on this drawing call us on 01622 235 672		Finish PPC	Page 7 of 13

Step 6 : Once all of the Drain Channels are installed now its time to install your Drainage Gutter at the ends of the Boards.



Customer Sign Off.

Sign _____

Date _____

Record Of Revision Changes.

1. Creation of drawing (V1)

Colour; Any Standard RAL Colour

Delivery and Storage.

When components are delivered please ensure they are inspected and stored flat, also please ensure they are stored out of the sun. Do not store components upright.

Product Details:

Senior Balcony Board, Senior Balcony Board Clip, Senior Balcony Board Drainage Channel, Low Joist, Pedestal Bracket, Access Gutter, Access Gutter Cover, Gutter End Plate & Spigot Outlet



From

This drawing and the product it displays is the sole property of The Milwood Group any reproduction of this drawing or product without the written permission of The Milwood Group is prohibited.



Drawing Title:

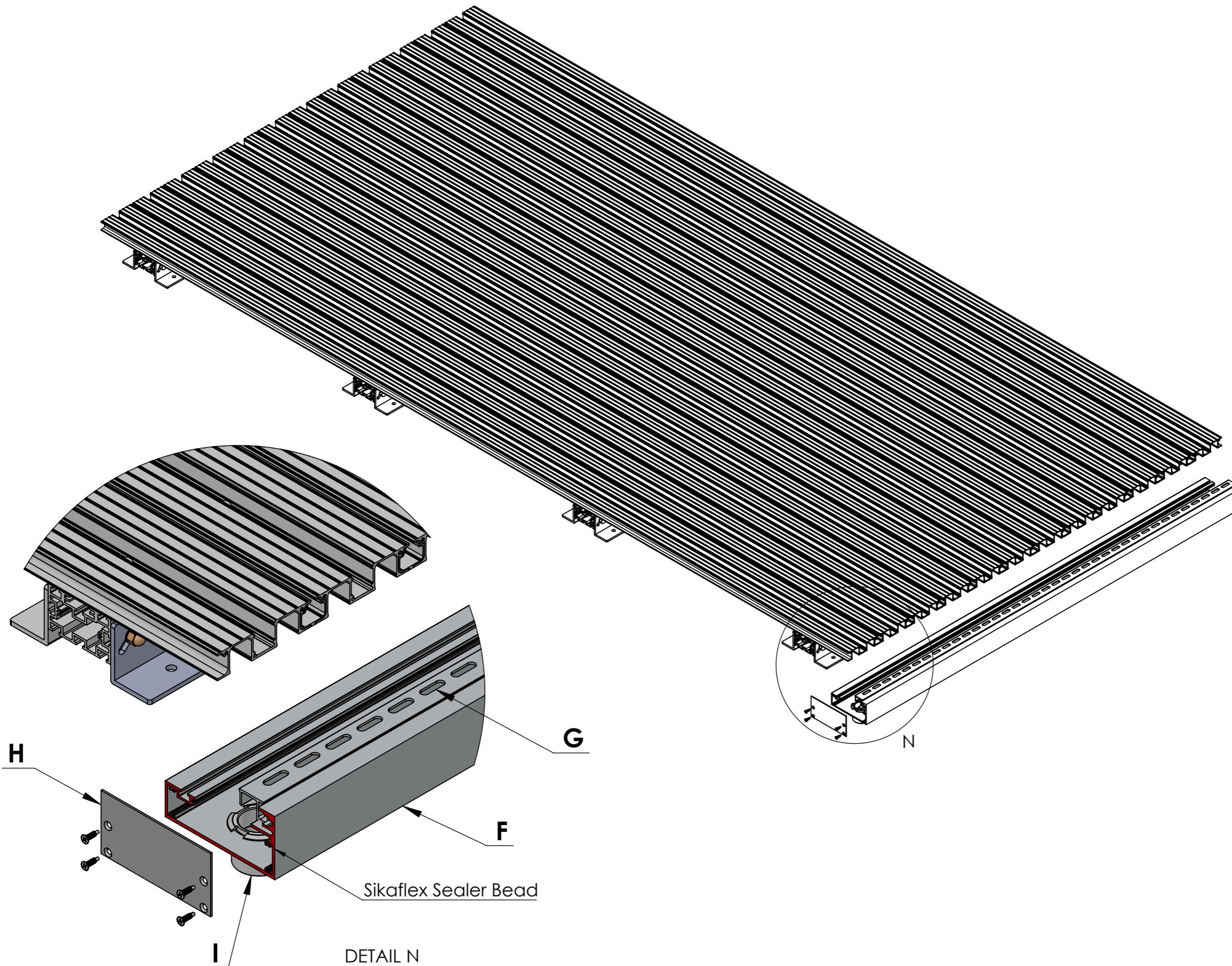
(Alideck - Balcony Drainage System) - (Installation Guide)

Product:

Senior Balcony Board

Date	Page Size	Scale	Drawn
15-07-21	A3 (L)	DNS	Shyam
Issuer	Sequence	(Tol)	Rev
MIL	000001	+/- 1mm	V2
If in any doubt about details on this drawing call us on 01622 235 672		Finish	Page
		PPC	8 of 13

Step 7 : Once you have cut your Gutter to the correct length you need to add the End Caps and the Spigot Outlet and seal all corners using the Sikaflex Sealer.



Notes.
Example Sections of Senior Balcony Board

Customer Sign Off.
Sign _____
Date _____

Record Of Revision Changes.
1. Creation of drawing (V1)

Colour; Any Standard RAL Colour

Delivery and Storage.
When components are delivered please ensure they are inspected and stored flat, also please ensure they are stored out of the sun. Do not store components upright.

Product Details:
Senior Balcony Board, Senior Balcony Board Clip, Senior Balcony Board Drainage Channel, Low Joist, Pedestal Bracket, Access Gutter, Access Gutter Cover, Gutter End Plate & Spigot Outlet



From
This drawing and the product it displays is the sole property of The Milwood Group. any reproduction of this drawing or product without the written permission of The Milwood Group is prohibited.

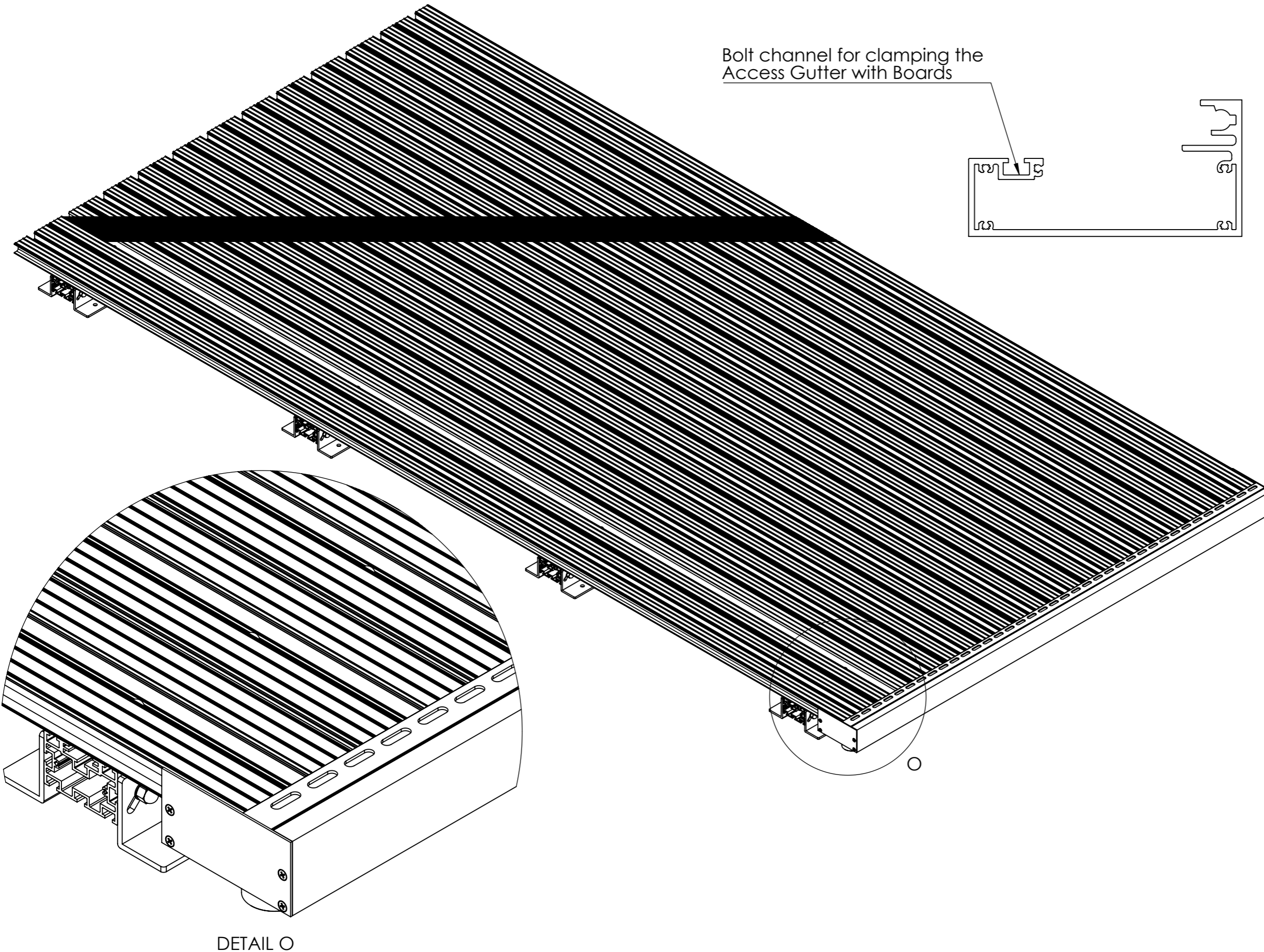


Drawing Title:
(Alideck - Balcony Drainage System) - (Installation Guide)

Product:
Senior Balcony Board

Date 15-07-21	Page Size A3 (L)	Scale DNS	Drawn Shyam
Issuer MIL	Sequence 000001	(Tol) +/- 1mm	Rev V2
If in any doubt about details on this drawing call us on 01622 235 672		Finish PPC	Page 9 of 13

Step 8 : Then you need to fix your Access Gutter into position, to do this simply clamp the Access Gutter onto the end of the Boards and drill a 9mm hole through the centre of the Board and using a M8 bolt fix the Access Gutter in position.



Notes.
Example Sections of Senior Balcony Board

Customer Sign Off.
Sign _____
Date _____

Record Of Revision Changes.
1. Creation of drawing (V1)

Colour; Any Standard RAL Colour

Delivery and Storage.
When components are delivered please ensure they are inspected and stored flat, also please ensure they are stored out of the sun. Do not store components upright.

Product Details:
Senior Balcony Board, Senior Balcony Board Clip, Senior Balcony Board Drainage Channel, Low Joist, Pedestal Bracket, Access Gutter, Access Gutter Cover, Gutter End Plate & Spigot Outlet



This drawing and the product it displays is the sole property of The Milwood Group any reproduction of this drawing or product without the written permission of The Milwood Group is prohibited.

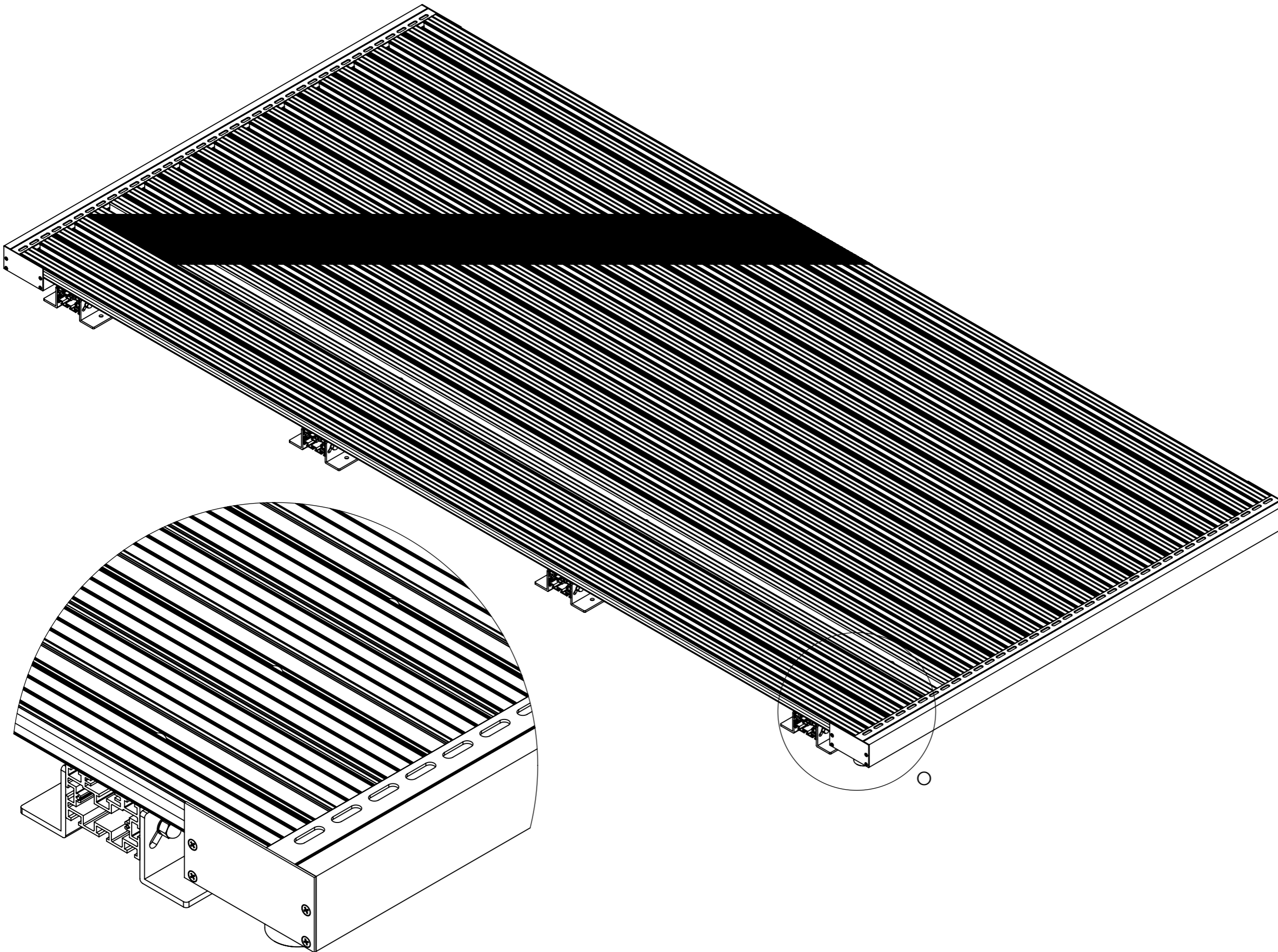


Drawing Title:
(Alideck - Balcony Drainage System) - (Installation Guide)

Product:
Senior Balcony Board

Date 15-07-21	Page Size A3 (L)	Scale DNS	Drawn Shyam
Issuer MIL	Sequence 000001	(Tol) +/- 1mm	Rev V2
If in any doubt about details on this drawing call us on 01622 235 672		Finish PPC	Page 10 of 13

Step 9 : Repeat the process through each and every Deck Board and then repeat the process on the other Access Gutter to the other end of the deck platform.



DETAIL O

Notes.
Example Sections of Senior Balcony Board

Customer Sign Off.
Sign _____
Date _____

Record Of Revision Changes.
1. Creation of drawing (V1)

Colour; Any Standard RAL Colour

Delivery and Storage.
When components are delivered please ensure they are inspected and stored flat, also please ensure they are stored out of the sun. Do not store components upright.

Product Details:
Senior Balcony Board, Senior Balcony Board Clip, Senior Balcony Board Drainage Channel, Low Joist, Pedestal Bracket, Access Gutter, Access Gutter Cover, Gutter End Plate & Spigot Outlet



From
This drawing and the product it displays is the sole property of The Milwood Group any reproduction of this drawing or product without the written permission of The Milwood Group is prohibited.



Drawing Title:
(Alideck - Balcony Drainage System) - (Installation Guide)

Product:
Senior Balcony Board

Date 15-07-21	Page Size A3 (L)	Scale DNS	Drawn Shyam
Issuer MIL	Sequence 000001	(Tol) +/- 1mm	Rev V2
If in any doubt about details on this drawing call us on 01622 235 672		Finish PPC	Page 11 of 13

Step 10 : Now install the Board Clips into the Boards.

Notes.
Example Sections of Senior Balcony Board

Customer Sign Off.

Sign _____

Date _____

Record Of Revision Changes.
1. Creation of drawing (V1)

Colour; Any Standard RAL Colour

Delivery and Storage.
When components are delivered please ensure they are inspected and stored flat, also please ensure they are stored out of the sun. Do not store components upright.

Product Details:
Senior Balcony Board, Senior Balcony Board Clip, Senior Balcony Board Drainage Channel, Low Joist, Pedestal Bracket, Access Gutter, Access Gutter Cover, Gutter End Plate & Spigot Outlet



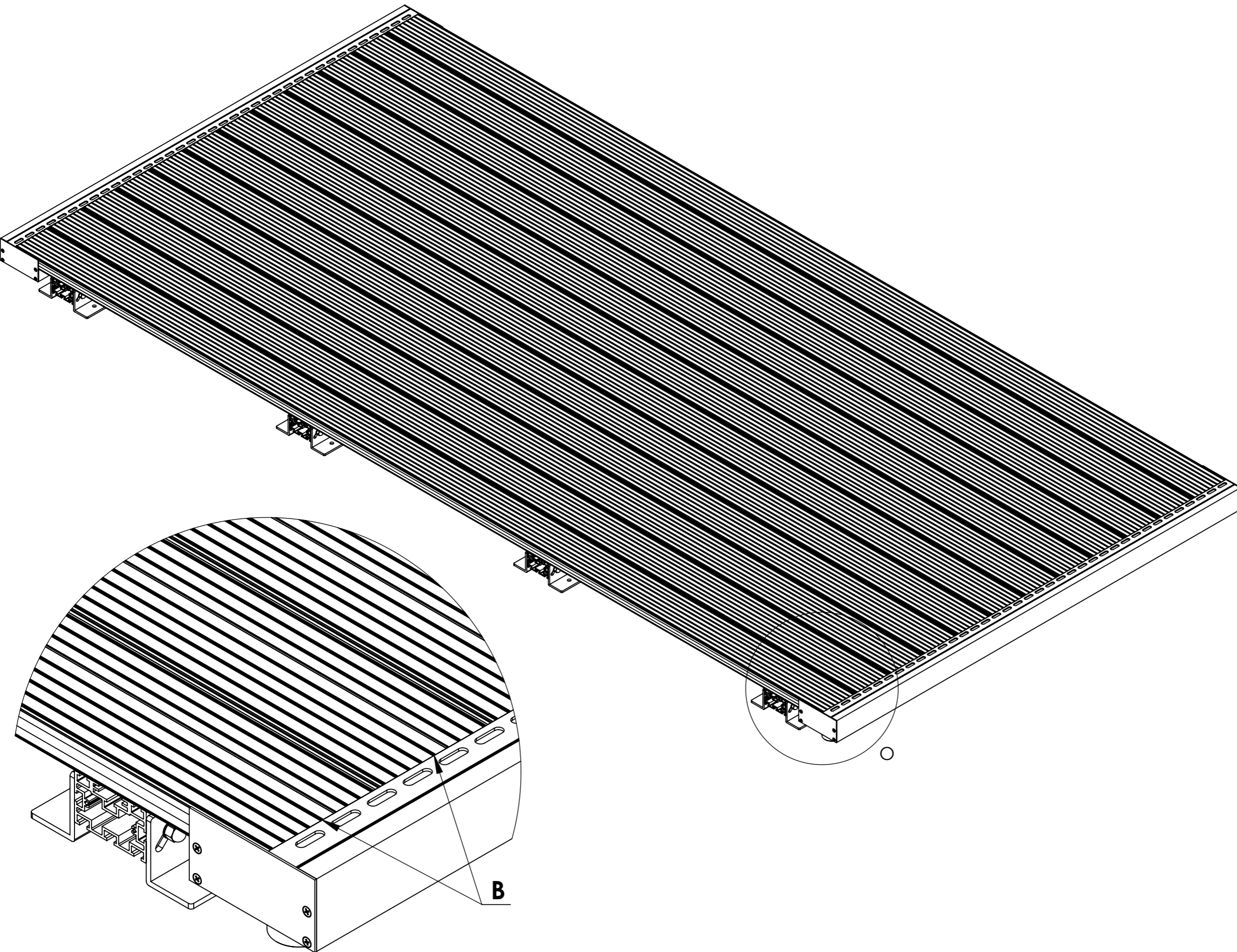
From
This drawing and the product it displays is the sole property of The Milwood Group any reproduction of this drawing or product without the written permission of The Milwood Group is prohibited.



Drawing Title:
(Alideck - Balcony Drainage System) - (Installation Guide)

Product:
Senior Balcony Board

Date 15-07-21	Page Size A3 (L)	Scale DNS	Drawn Shyam
Issuer MIL	Sequence 000001	(Tol) +/- 1mm	Rev V2
If in any doubt about details on this drawing call us on 01622 235 672		Finish PPC	Page 12 of 13



DETAIL O

45° Access Gutter joining method for installations that require the Gutter to turn corners, please use the following method:

1. Cut the Access Gutters to length and mitre corners. Insert Drainage Outlet Spigot at desired point if required (having taken into account matching to a downpipe through the steelwork).
2. Install Access Gutter to steel framework.
3. Fix each Gutter Joining Plate Folded through the vertical face of the Gutter.
4. Install Joining Plates as shown below, ensuring to apply a continuous bead of Sikaflex sealer around the edge of all Joining Plates.

Customer Sign Off.

Sign _____

Date _____

Record Of Revision Changes.

1. Creation of drawing (V1)

Colour; Any Standard RAL Colour

Delivery and Storage.

When components are delivered please ensure they are inspected and stored flat, also please ensure they are stored out of the sun. Do not store components upright.

Product Details:

Senior Balcony Board, Senior Balcony Board Clip, Senior Balcony Board Drainage Channel, Low Joist, Pedestal Bracket, Access Gutter, Access Gutter Cover, Gutter End Plate & Spigot Outlet



From

This drawing and the product it displays is the sole property of The Milwood Group. any reproduction of this drawing or product without the written permission of The Milwood Group is prohibited.



Drawing Title:

(Alideck - Balcony Drainage System) - (Installation Guide)

Product:

Senior Balcony Board

Date 15-07-21	Page Size A3 (L)	Scale DNS	Drawn Shyam
Issuer MIL	Sequence 000001	(Tol) +/- 1mm	Rev V2
If in any doubt about details on this drawing call us on 01622 235 672		Finish PPC	Page 13 of 13

