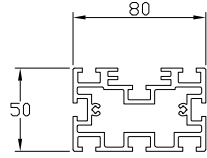
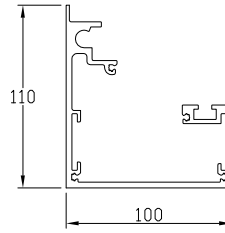


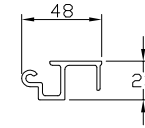
AllPave Profile Support Rail
Maximum 6m Long
SCALE 1:1



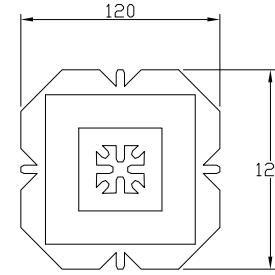
Low Joist
Available 6m long, can be joined
SCALE 1:1



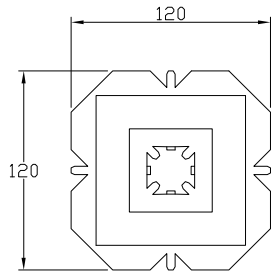
Access Gutter
Available 6m long, can be joined
SCALE 1:1



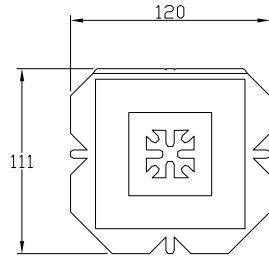
Access Cover
Available 6m long, can be joined
SCALE 1:1



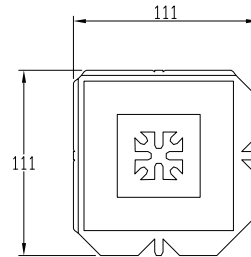
Spacer Plate 1
SCALE 1:1



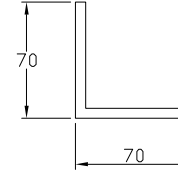
Spacer Plate 2
SCALE 1:1



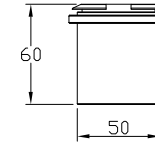
Spacer Plate 3
SCALE 1:1



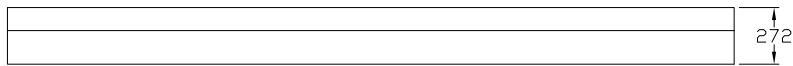
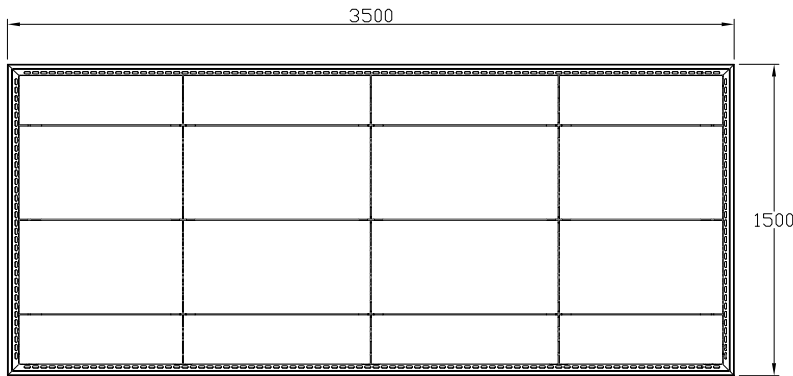
Spacer Plate 4
SCALE 1:1



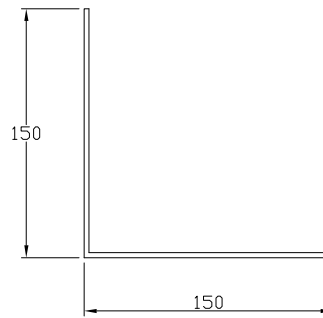
Fixing Bracket
SCALE 1:1



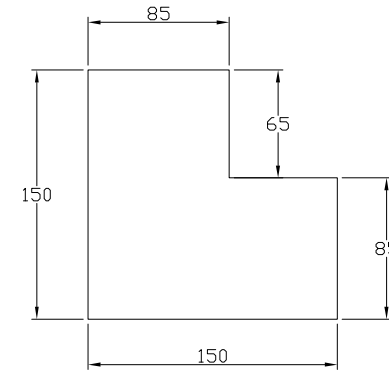
Spigot
SCALE 1:1



SCALE 1:8



Joinder Plate 1
SCALE 1:1



Joinder Plate 2
SCALE 1:1

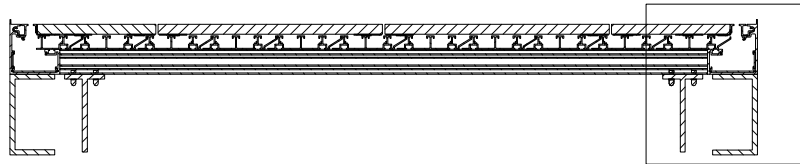
- Note:
1. Maximum span between bearers 1000mm.
 2. All profiles are available in 6m lengths.

Colour : 10 Standard Colours

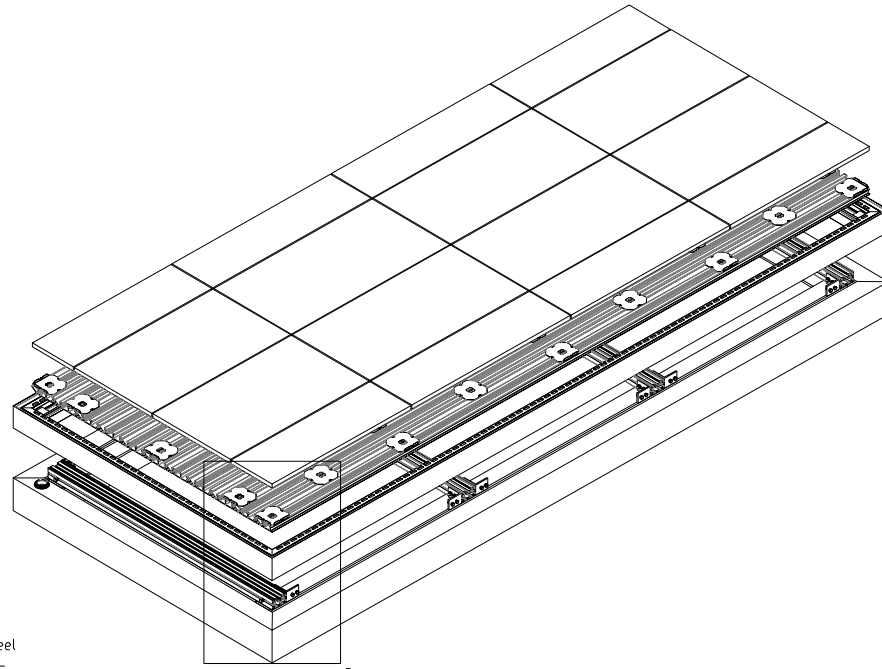


Drawing Title:
Alideck 2 - AllPave With Spacer Plate, Low Joist & Access Gutter) - (Standard Drawing)

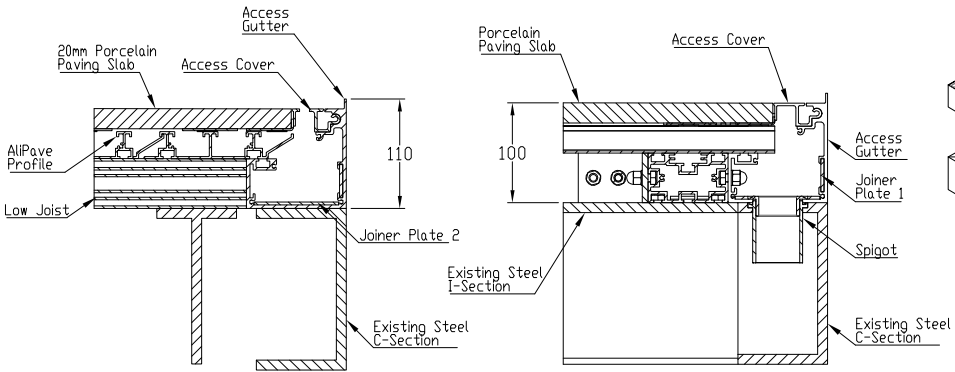
Product: AllPave Profile				
Date 10-07-21	Page Size A2 (L)	Scale 1:3	Drawn Shyam	
Issuer MIL	Sequence 000001	(To) M	Rev V2	
If in any doubt about details on this drawing call us on 1800 120 120		Finish PPC	Page 1 of 2	



SECTION N-N



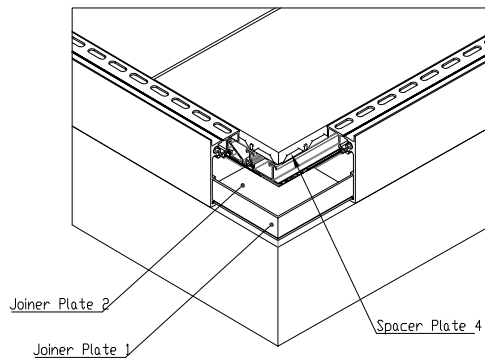
ISOMETRIC VIEW



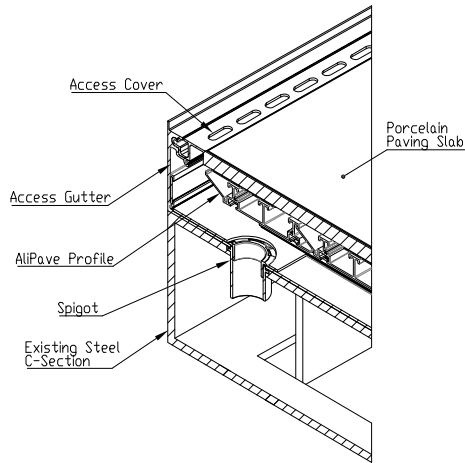
DETAIL P
SCALE 3/5

DETAIL Q
SCALE 3/5

CROSS SECTION VIEWS

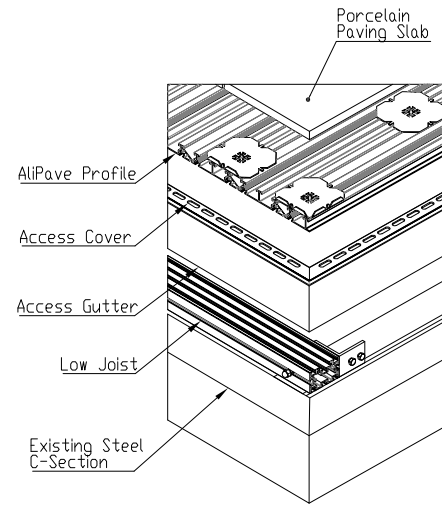


DETAIL S



DETAIL U

DETAIL VIEWS



DETAIL R

Colour : 10 Standard Colours



From
This drawing and the product is
shown is the sole property of
any reproduction of this drawing
or product without the written
permission of The Milwood Group
is prohibited.

Drawing Title
Alideck 2 - (AlIPave With Spacer Plate, Low Joist &
Access Gutter) - (Standard Drawing)

Product:
AlIPave Profile

Date	Page Size	Scale	Drawn
10-07-21	A2 (L)	1:3	Shayan
Issuer	Sequence	(Tot)	Rev
MIL	000001	1/1	V2
If in any doubt about details on this drawing call on 0800 120 120	Finish	Page	
	PPC	2 of 2	