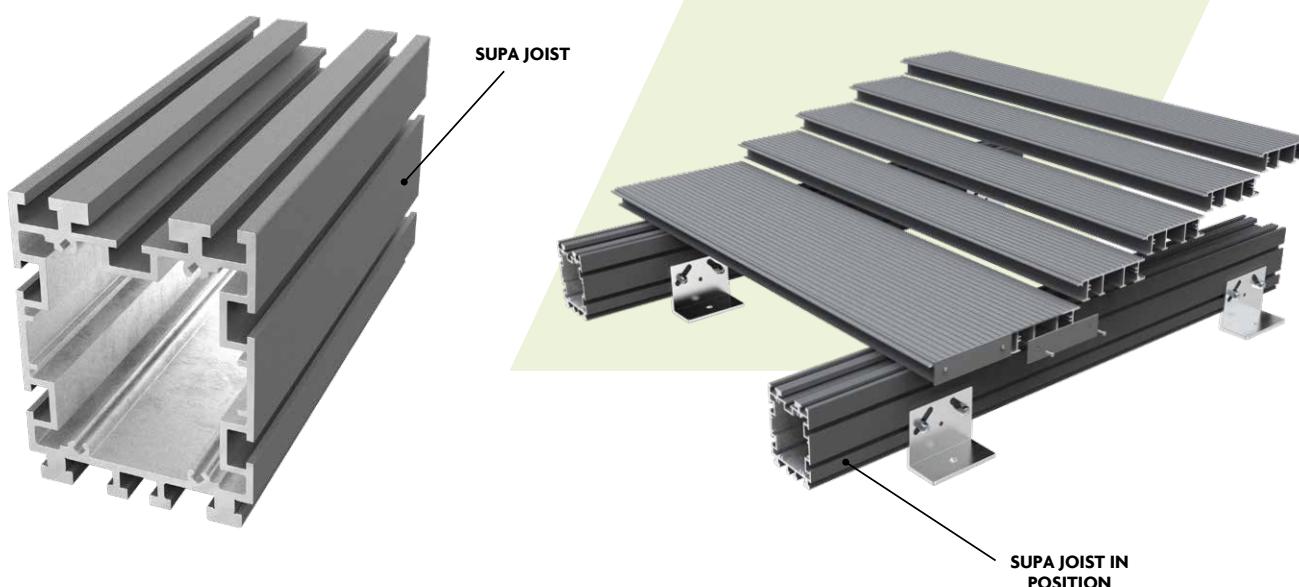


AliDeck SUPA JOIST

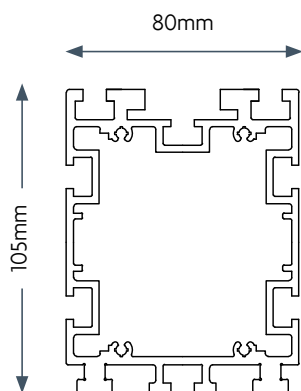
Specification Datasheet

The **AliDeck Supa-Joist** is an integral part of the AliDeck System! This clever extrusion is designed to act as both a support post and big span joist.

The connection plates allow for super fast installation and can be adjusted to suit most applications and conditions. It has also been designed to be connected together to give additional strength for applications where larger spans are required.



Dimensions



Benefits include:

- Increased span capabilities against timber or composite
- Also available in mill finish
- Increased spans by over 300%
- All aluminium
- Quick and easy to install
- Low maintenance
- Recyclable
- Stable in all weather conditions

The Supa Joist is 4.93 Kg per metre

All AliDeck Joists have been independently tested for fire performance to BS EN 13823, BS EN 13501, and BS EN ISO 1716; for loading performance to BS 6180; for deflection performance to BS 8118, BS 6399, and BS 1991.

Decking Joist Spans

All of our spanning criteria has been based on the standards of EN 1991-1-1:2002 “Actions on Structures”.

Supa Joist span capabilities:

The Supa Joist can span a maximum of 3 metres between pedestals on a 4kN Loading.

Colour Options

Alideck Boards and Joists are available in our full range of standard colours. Please refer to our Standard Colour Range datasheet for colour options (available at www.alideck.co.uk/downloads).

Non-standard colours are available on request as special orders, but may affect cost and lead-time. The Boards and Joists can be supplied non-coated/mill finish to achieve A1 fire rating.



Warranty

The Supa Joist is supplied with a **30 year warranty** against splitting, cracking, warping, splintering, rotting, twisting and material or manufacturing defects. It has a minimum **60 year life expectancy**.



INCREASED SPAN CAPABILITIES AGAINST TIMBER OR COMPOSITE OPTIONS BY OVER 300%



ALL ALUMINIUM



QUICK AND EASY TO INSTALL



COLOUR MATCHED TO THE DECK BOARDS



LOW MAINTENANCE



RECYCLABLE



STABLE IN ALL WEATHER CONDITIONS

Unit 27
Rochester Airport Industrial Estate
Laker Road, Rochester
Kent ME1 3QX

Tel: 01622 235 672
Email: info@alideck.co.uk
www.alideck.co.uk

 **ALIDECK**™
Aluminium Decking