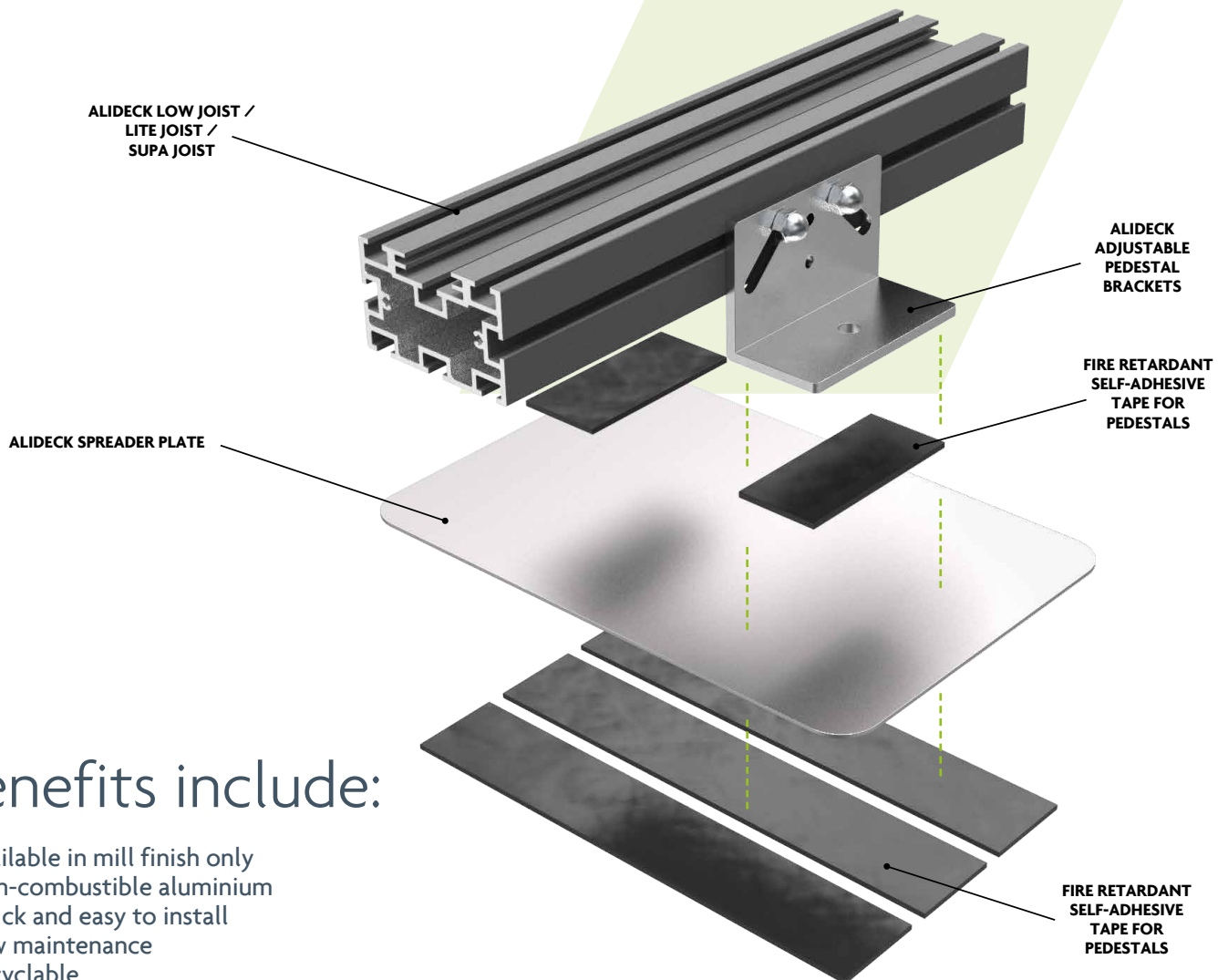


# AliDeck SPREADER PLATE

Specification  
Datasheet

This simple aluminium plate is used to spread the imposed load of the AliDeck decking system when installing onto waterproof membranes, the plate can be supplied with or without fire retardant double-sided tape to enable you to bond it to the top surface.



## Benefits include:

- Available in mill finish only
- Non-combustible aluminium
- Quick and easy to install
- Low maintenance
- Recyclable
- Stable in all weather conditions
- Fire retardant tape

Unit 27  
Rochester Airport Industrial Estate  
Laker Road, Rochester  
Kent ME1 3QX

Tel: 01622 235 672  
Email: [info@alideck.co.uk](mailto:info@alideck.co.uk)  
[www.alideck.co.uk](http://www.alideck.co.uk)

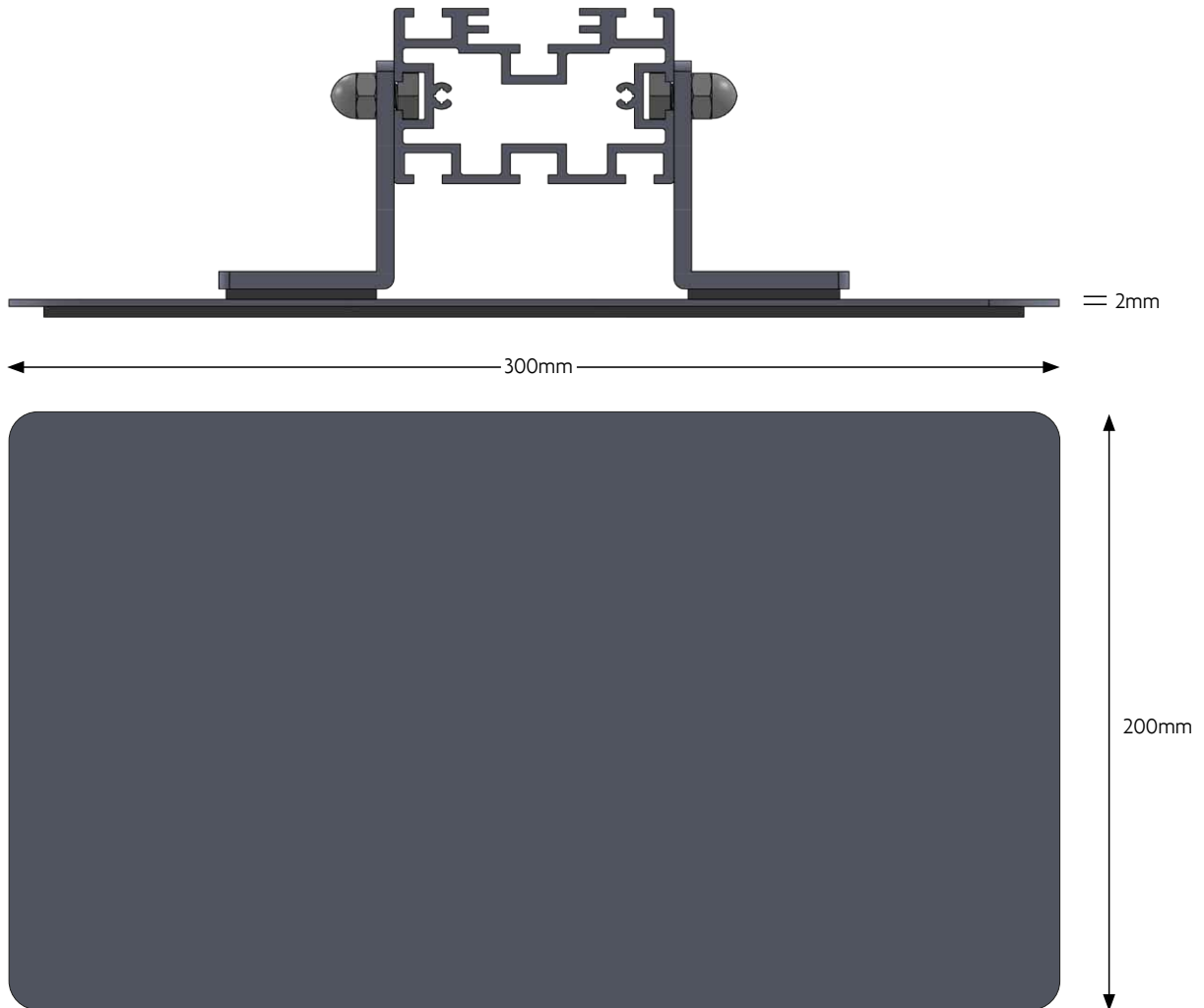
 **ALIDECK**™  
Aluminium Decking

## Dimensions

The Spreader Plate is 200mm wide x 300mm length x 2mm thick.

## Warranty

The Spreader Plate is supplied with a **30 year warranty** against splitting, cracking, warping, splintering, rotting, twisting and material or manufacturing defects. It has a minimum **60 year life expectancy**.



ALL ALUMINIUM



QUICK AND EASY  
TO INSTALL



LOW  
MAINTENANCE



RECYCLABLE



STABLE IN ALL  
WEATHER  
CONDITIONS

Unit 27  
Rochester Airport Industrial Estate  
Laker Road, Rochester  
Kent ME1 3QX

Tel: 01622 235 672  
Email: [info@alideck.co.uk](mailto:info@alideck.co.uk)  
[www.alideck.co.uk](http://www.alideck.co.uk)

 **ALIDECK**™  
Aluminium Decking