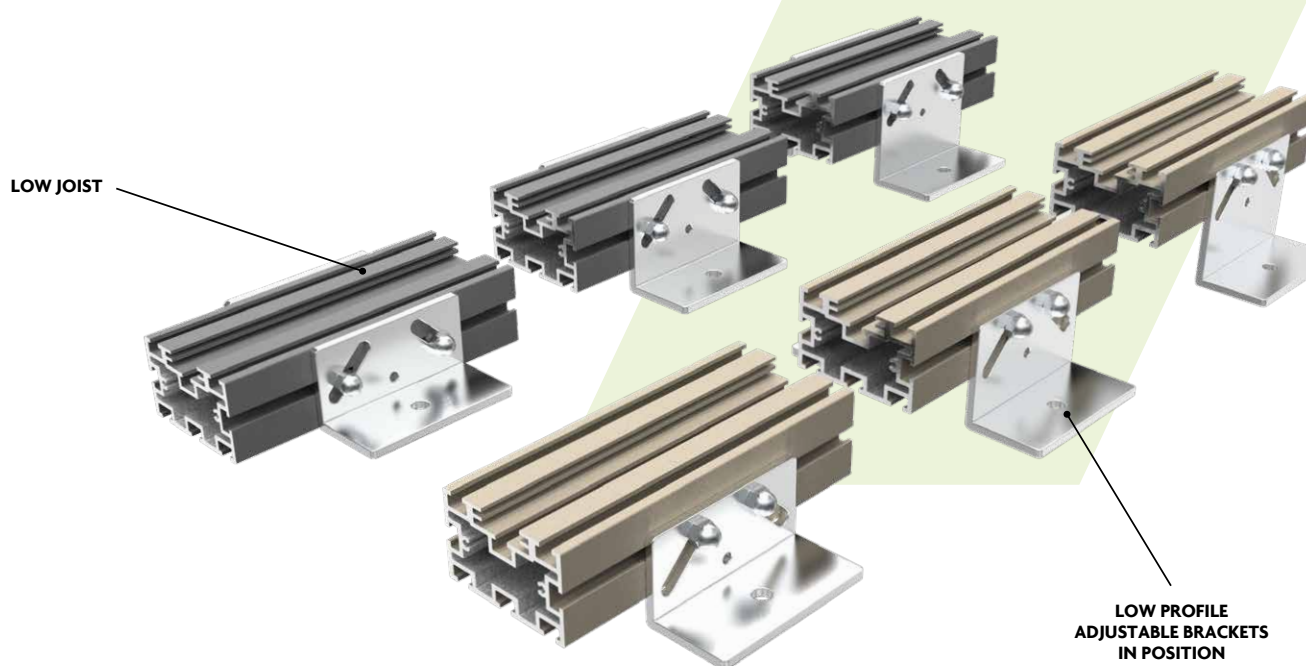


AliDeck

LOW PROFILE ADJUSTABLE BRACKETS

Specification
Datasheet



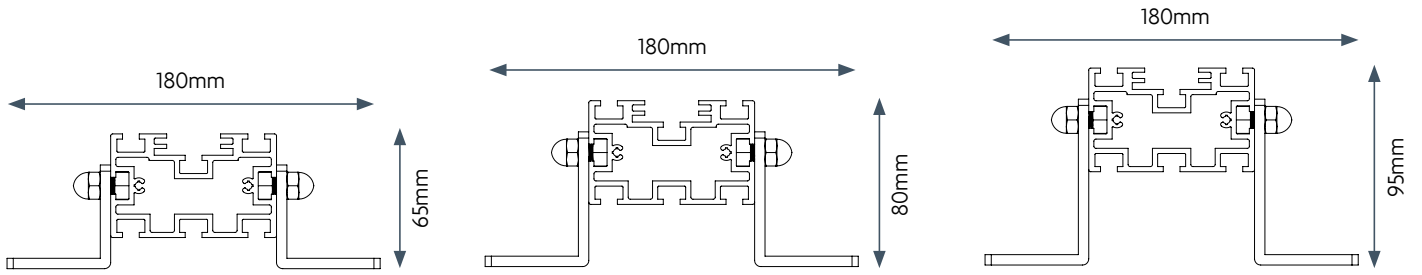
Low Profile Adjustable Brackets are a solution driven product, specifically designed for installations where a low threshold is required, the brackets can be as low as 70mm and up to 125mm (from the top of the boards to the ground). This A2 fire rated product is manufactured from 3 aluminium extrusions, which makes it cost effective and quick to install. It works seamlessly with the Supa Joist and the Low Joist.

Product Specification

Fire Rating:	A1
Material:	6063 T6 structural grade aluminium
Height range	70mm to 125mm (if used with a 20mm board)
Base Diameter:	100mm x 50mm
Finish:	Mill Finish Aluminium
Biological/chemical	Resistant to moulds, algae, alkali, bitumen
Certified Compression	5kN as standard (Data available on request)
Working Temperature	-50°C – +100°C

All AliDeck Pedestals have been independently tested; for loading performance to BS 6180; for deflection performance to BS 8118, BS 6399, and BS 1991. As pedestals are supplied mill finish, an A1 fire rating is automatically achieved.

Dimensions



Warranty

The bracket is supplied with a **30 year warranty** against splitting, cracking, warping, splintering, rotting, twisting and material or manufacturing defects. It has a minimum **60 year life** expectancy.



**ALL
ALUMINIUM**



**HEAT
RESISTANT**



**LOW
MAINTENANCE**



RECYCLABLE



**STABLE IN ALL
WEATHER
CONDITIONS**



**A1 FIRE
RATED**

Unit 27
Rochester Airport Industrial Estate
Laker Road, Rochester
Kent ME1 3QX

Tel: 01622 235 672
Email: info@alideck.co.uk
www.alideck.co.uk

 **ALIDECK**™
Aluminium Decking