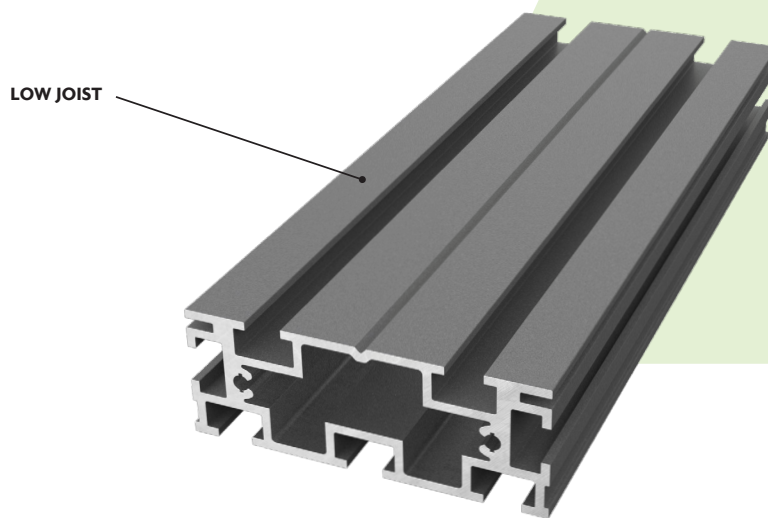


# AliDeck LITE JOIST

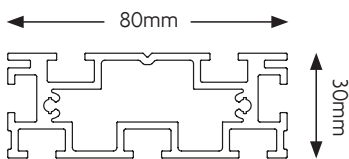
## Specification Datasheet

The **AliDeck Lite Joist** is an integral part of the AliDeck system! This extrusion has been designed for installations where you have a very low threshold situation, if you require a minimum build up height of 50mm or above this is the perfect solution (when used with our 20mm range of boards) This joist can be used with either our adjustable pedestal brackets or our multi-directional adjustable pedestals for complete height adjustment.



A2-s1, d0  
A2fl-s1  
FIRE  
RATED

### Dimensions



### Benefits include:

- Increased span capabilities against timber or composite
- Increased spans by over 200%
- Fire Rated: A2-s1, d0 and A2fl-s1
- All aluminium
- Quick and easy to install
- Low maintenance
- Recyclable
- Stable in all weather conditions

**The Lite Joist is 1.926 Kg per metre**

All AliDeck Joists have been independently tested for fire performance to BS EN 13823, BS EN 13501, and BS EN ISO 1716; for loading performance to BS 6180; for deflection performance to BS 8118, BS 6399, and BS 1991.

## Decking Joist Spans

All of our spanning criteria has been based on the standards of EN 1991-1-1:2002 “Actions on Structures”.

### Lite Joist span capabilities:

The Lite Joist can span a maximum of 800mm between pedestals on a 4kN Loading.

## Colour Options

AliDeck Boards and Joists are available in our full range of standard colours. Please refer to our Standard Colour Range datasheet for colour options (available at [www.alideck.co.uk/downloads](http://www.alideck.co.uk/downloads)).

Non-standard colours are available on request as special orders, but may affect cost and lead-time. The Boards and Joists can be supplied non-coated/mill finish to achieve A1 fire rating.



## Warranty

The Lite Joist is supplied with a **30 year warranty** against splitting, cracking, warping, splintering, rotting, twisting and material or manufacturing defects. It has a minimum **60 year life expectancy**.



**INCREASED SPAN CAPABILITIES AGAINST TIMBER OR COMPOSITE OPTIONS BY OVER 300%**



**ALL ALUMINIUM**



**QUICK AND EASY TO INSTALL**



**COLOUR MATCHED TO THE DECK BOARDS**



**LOW MAINTENANCE**



**RECYCLABLE**



**STABLE IN ALL WEATHER CONDITIONS**

Unit 27  
Rochester Airport Industrial Estate  
Laker Road, Rochester  
Kent ME1 3QX

Tel: 01622 235 672  
Email: [info@alideck.co.uk](mailto:info@alideck.co.uk)  
[www.alideck.co.uk](http://www.alideck.co.uk)

 **ALIDECK**™  
Aluminium Decking