

AliDeck ADJUSTABLE PEDESTAL

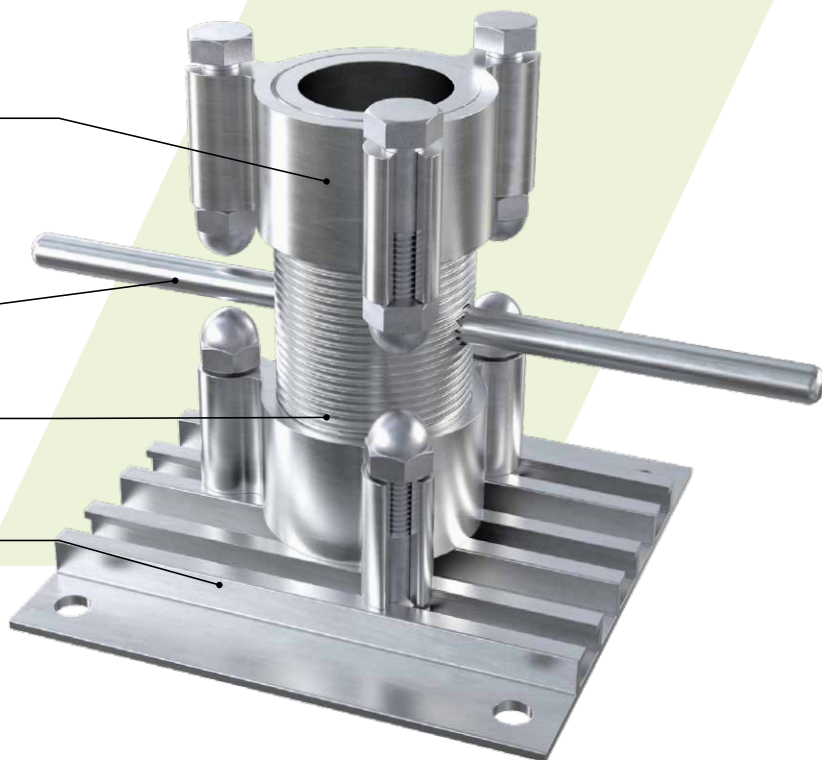
Specification
Datasheet

EASY FIX SUPPORT HEAD

REMOVABLE ADJUSTER TOOL

THREAD HEIGHT ADJUSTER

EASY FIX BASE SUPPORT



The **AliDeck adjustable pedestal** is a solution driven product, specifically designed for installations where it is key that non-combustible products are installed, this A1 fire rated product is manufactured from 3 aluminium extrusions, which makes it cost effective and quick to install. It works seamlessly with all of the products in our range and gives you the adjustment that is required.

Product Specification

Fire Rating:	A1
Material:	6063 T6 structural grade aluminium
Height range	50mm to 500mm (Additional heights available on request)
Base Diameter:	120mm x 120mm
Finish:	Available in mill finish only
Biological/chemical	Resistant to moulds, algae, alkali, bitumen
Certified Compression	5kN as standard (Data available on request)
Head Diameter	80mm
Working Temperature	-50°C – +100°C

All AliDeck Pedestals have been independently tested; for loading performance to BS 6180; for deflection performance to BS 8118, BS 6399, and BS 1991. As pedestals are supplied mill finish, an A1 fire rating is automatically achieved.

Dimensions

Our Pedestals range in size from 50mm to 500mm depending on your specific requirement.



Warranty

The pedestal is supplied with a **30 year warranty** against splitting, cracking, warping, splintering, rotting, twisting and material or manufacturing defects. It has a minimum **60 year life** expectancy.



**ALL
ALUMINIUM**



**HEAT
RESISTANT**



**LOW
MAINTENANCE**



RECYCLABLE



**STABLE IN ALL
WEATHER
CONDITIONS**



**A1 FIRE
RATED**

Unit 27
Rochester Airport Industrial Estate
Laker Road, Rochester
Kent ME1 3QX

Tel: 01622 235 672
Email: info@alideck.co.uk
www.alideck.co.uk

 **ALIDECK**™
Aluminium Decking