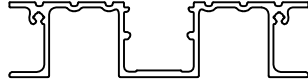


Low Joist

Maximum span between
flanges 1200mm

SCALE 1:1



Senior Balcony Flat Board

Maximum span between flanges 1200mm
Length of extrusion stock 6m & 4m
Can be joined

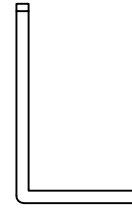
SCALE 1:1



Senior Balcony
Flat Board Clip

Maximum length 6000mm
Can be joined

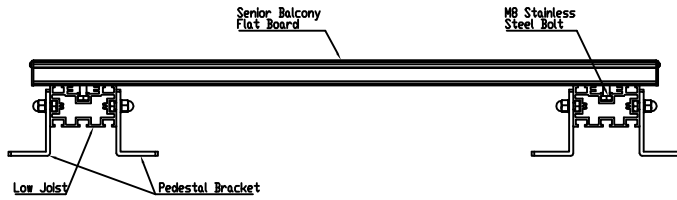
SCALE 1:1



Pedestal Bracket

Maximum height 200mm

SCALE 1:1

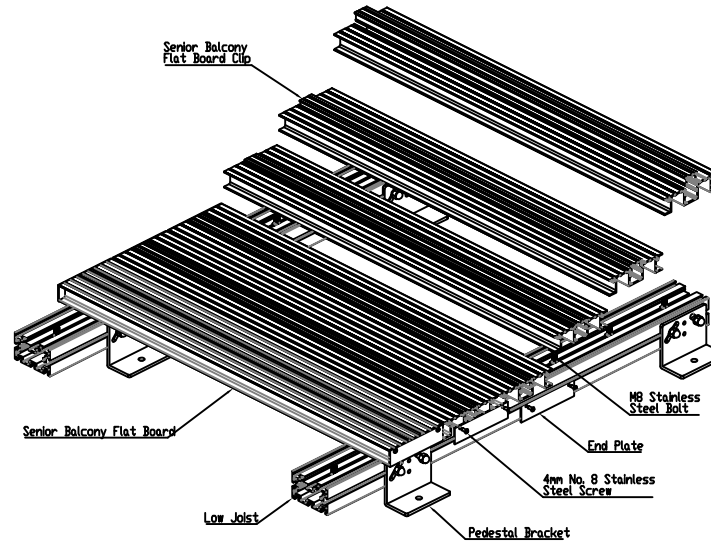


DETAIL A



DETAIL B

CROSS SECTION VIEWS



ISOMETRIC VIEW

Board Span (Center to Center of Joists) - 1200mm
Joist Span (Center to Center of Pedestals) - 1200mm

Colour : 10 Standard Colours



This drawing and the product is provided as the sole property of The Milwood Group & Aldeck. Any reproduction of this drawing or product without the written permission of The Milwood Group & Aldeck is prohibited.

Drawing Title:
(Aldeck) - (Senior Balcony Flat Board, Low Joist & Pedestal Bracket)

Product:
Senior Flat Board, Low Joist & Pedestal Bracket

Date	Page Size	Scale	Drawn
30-01-21	A2 (L)	1:3	Shayan
Issuer	Sequence	(Tot)	Rev
MIL	000001	1/1	V1
Finish			Page
PPC			1 of 1