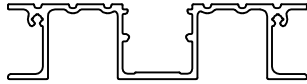


Low Joist
Maximum span between fixings: 1200mm
SCALE 1:1



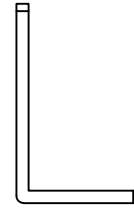
Senior Balcony Flat Board
Maximum span between fixings: 1200mm
Length of extrusion slots: 6m & 4m
Can be joined
SCALE 1:1



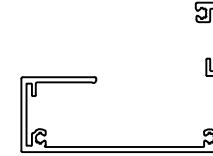
Senior Balcony Flat Board Clip
Maximum length: 6000mm
Can be joined
SCALE 1:1



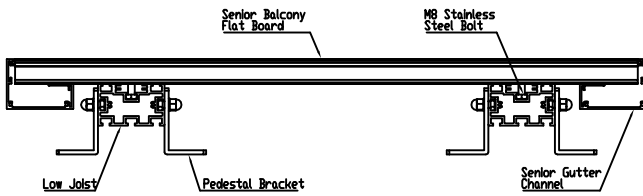
Senior Balcony Board Drainage Channel
Maximum length: 6000mm
Can not be joined
SCALE 1:1



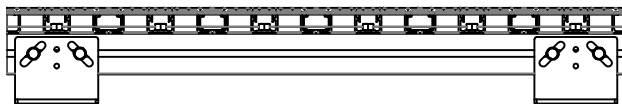
Pedestal Bracket
Maximum height: 200mm
SCALE 1:1



Senior Balcony Board Gutter Channel
Maximum length: 6000mm
Can be joined
SCALE 1:1

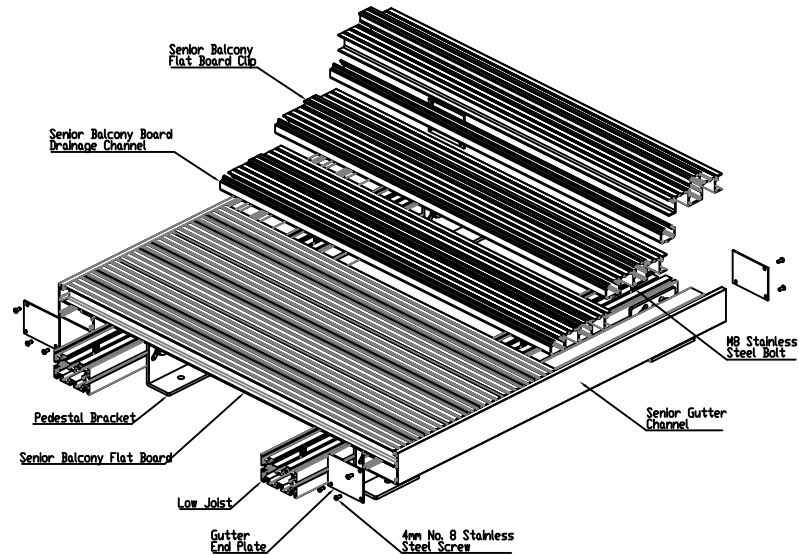


DETAIL A



DETAIL B

CROSS SECTION VIEWS



ISOMETRIC VIEW

Board Span (Center to Center of Joists) - 1200mm
Joist Span (Center to Center of Pedestals) - 1200mm

Colour : 10 Standard Colours



This drawing and the product is provided to the client subject to the terms and conditions of the Milwood Group & Aldeck. Any reproduction of this drawing or product without the written permission of The Milwood Group & Aldeck is prohibited.

Drawing Title:
(Aldeck) - (Senior Balcony Flat Board, Low Joist, Pedestal Bracket & Balcony Drainage System)

Product:
Senior Flat Board, Low Joist & Pedestal Bracket

Date	Page Size	Scale	Drawn
30-01-21	A2 (L)	1:3	Shyam
Issuer	Sequence	(Tot)	Rev
MIL	000001	1/1	V1
Finish	Page		
PPC	1 of 1		