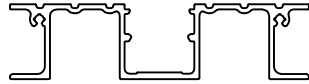


Lite Joist
 Maximum span between
 fixings 1000mm
 SCALE 1:1



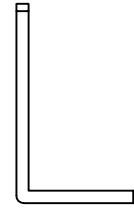
Senior Balcony Flat Board
 Maximum span between fixings 1200mm
 Length of extrusion stocks 6m & 4m
 Can be joined
 SCALE 1:1



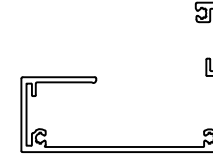
Senior Balcony Flat Board Clip
 Maximum length 6000mm
 Can be joined
 SCALE 1:1



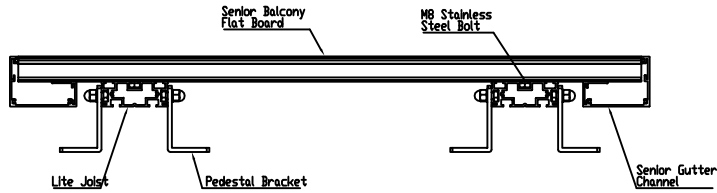
**Senior Balcony Board
 Drainage Channel**
 Maximum length 6000mm
 Can not be joined
 SCALE 1:1



Pedestal Bracket
 Maximum height 200mm
 SCALE 1:1



**Senior Balcony Board
 Gutter Channel**
 Maximum length 6000mm
 Can be joined
 SCALE 1:1

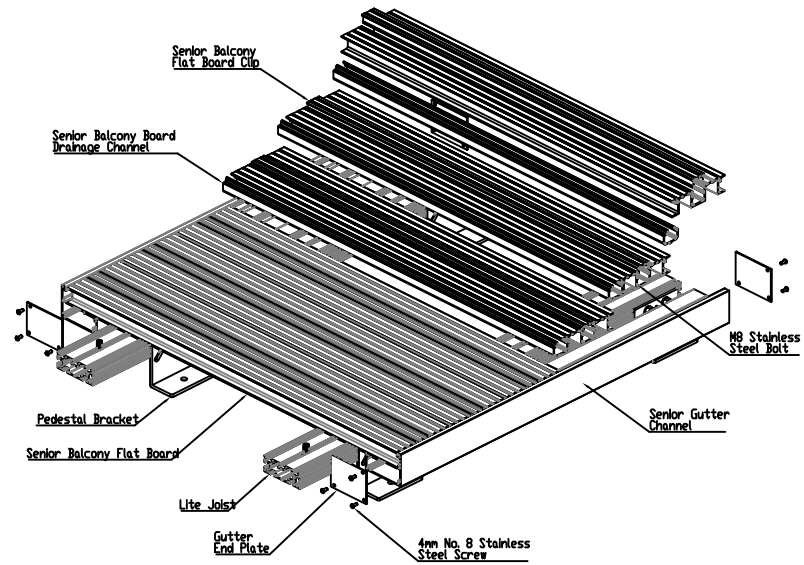


DETAIL A



DETAIL B

CROSS SECTION VIEWS



ISOMETRIC VIEW

Board Span (Center to Center of Joists) - 1200mm
 Joist Span (Center to Center of Pedestals) - 1000mm

Colour : 10 Standard Colours



From
 This drawing and the product is
 provided to the user subject to the
 permission of The Milwood Group &
 Alideck is prohibited.

Drawing Title:
 (Alideck) - (Senior Balcony Flat Board, Lite Joist,
 Pedestal Bracket & Balcony Drainage System)

Product:
 Senior Flat Board, Lite Joist & Pedestal Bracket

Date	Page Size	Scale	Drawn
30-01-21	A3 (L)	1:3	Shayan
Issuer	Sequence	(Tot)	Rev
MIL	000001	1/1	V1
Finish	Page		
PPC	1 of 1		

If in any doubt
 check with us
 We drawing will
 be on 100% scale