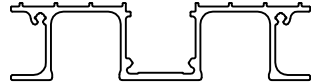


Low Joist

Maximum span between fixings: 1200mm

SCALE 1:1



Senior Balcony Board

Maximum span between fixings: 1200mm
Length of extrusion stock: 6m & 4m
Can be joined

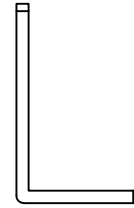
SCALE 1:1



Senior Balcony Board Clip

Maximum length: 6000mm
Can be joined

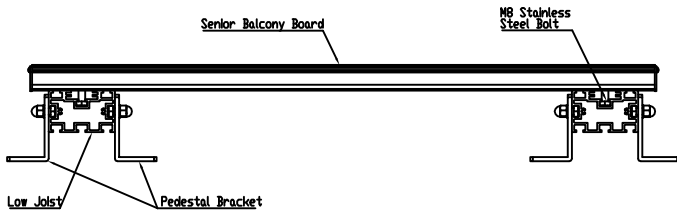
SCALE 1:1



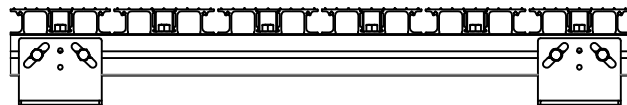
Pedestal Bracket

Maximum height: 200mm

SCALE 1:1

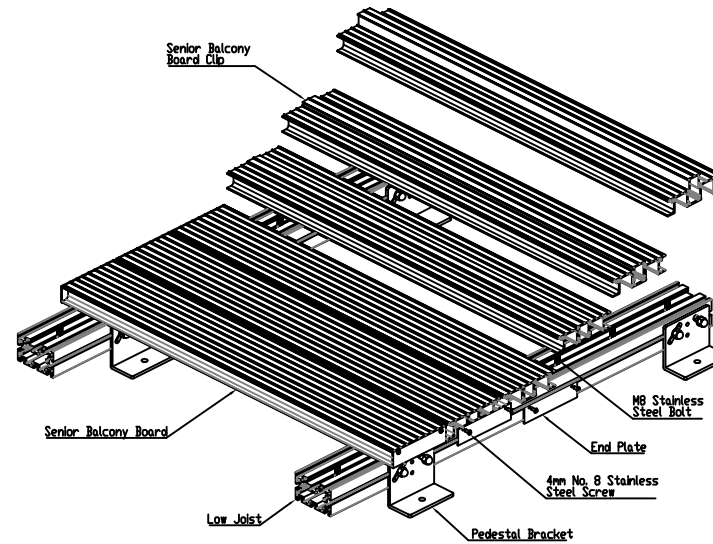


DETAIL A



DETAIL B

CROSS SECTION VIEWS



ISOMETRIC VIEW

Board Span (Center to Center of Joists) - 1200mm
Joist Span (Center to Center of Pedestals) - 1200mm

Colour : 10 Standard Colours



This drawing and the product is provided to the client subject to the terms and conditions of the Milwood Group & Aldeck. Any reproduction of this drawing or product without the written permission of The Milwood Group & Aldeck is prohibited.

Drawing Title:
(Aldeck) - (Senior Balcony Board, Low Joist & Pedestal Bracket)

Product:
Senior Board, Low Joist & Pedestal Bracket

Date: 30-01-21 Page Size: A3 (L) Scale: 1:3 Drawn: Shyam

Issuer: MIL Sequence: 000001 (Tot): 1 Rev: V1

Finish: PPC Page: 1 of 1

2nd Angle Projection