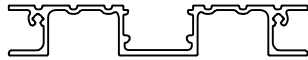


Low Joist
 Maximum span between fixings 1200mm
 SCALE 1:1



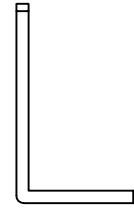
Junior Balcony Flat Board
 Maximum span between fixings 600mm
 Length of extrusion slots 6n & 4n
 Can be joined
 SCALE 1:1



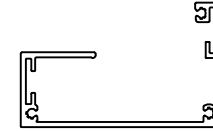
Junior Balcony Flat Board Clip
 Maximum length 6000mm
 Can be joined
 SCALE 1:1



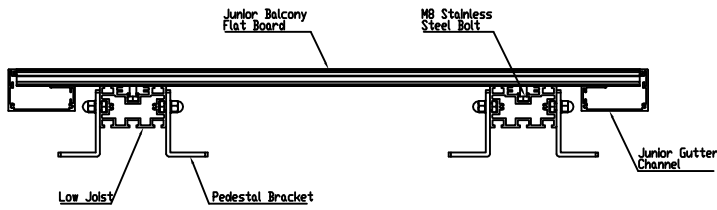
Junior Balcony Board Drainage Channel
 Maximum length 6000mm
 Can not be joined
 SCALE 1:1



Pedestal Bracket
 Maximum height 200mm
 SCALE 1:1



Junior Balcony Board Gutter Channel
 Maximum length 6000mm
 Can be joined
 SCALE 1:1

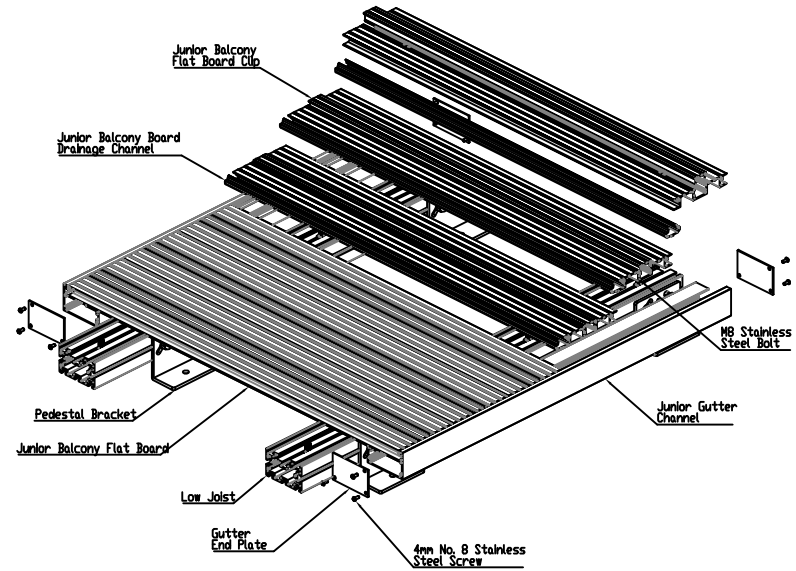


DETAIL A



DETAIL B

CROSS SECTION VIEWS



ISOMETRIC VIEW

Board Span (Center to Center of Joists) - 600mm
 Joist Span (Center to Center of Pedestals) - 1200mm

Colour : 10 Standard Colours



From
 This drawing and the product is provided to the sole property of the Milwood Group & Aldeck. Any reproduction of this drawing or product without the written permission of The Milwood Group & Aldeck is prohibited.

Drawing Title:
 (Aldeck) - (Junior Balcony Flat Board, Low Joist, Pedestal Bracket & Balcony Drainage System)

Product:
 Junior Flat Board, Low Joist & Pedestal Bracket

| | | | |
|--|-----------|--------|--------|
| Date | Page Size | Scale | Drawn |
| 31-01-21 | A3 (L) | 1:3 | Shayan |
| Issuer | Sequence | (Tot) | Rev |
| MIL | 000001 | 1/1 | V1 |
| 3D to any detail sheet should be on this drawing and on the 3D model | Finish | Page | |
| | PPC | 1 of 1 | |