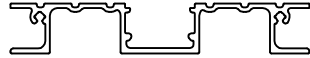


Low Joist

Maximum span between fixings 1200mm

SCALE 1:1



Junior Balcony Flat Board

Maximum span between fixings 600mm
Length of extrusion stocks 6m & 4m
Can be joined

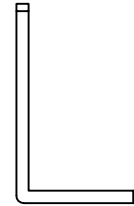
SCALE 1:1



Junior Balcony Flat Board Clip

Maximum length 6000mm
Can be joined

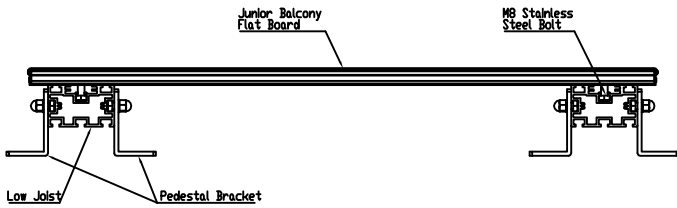
SCALE 1:1



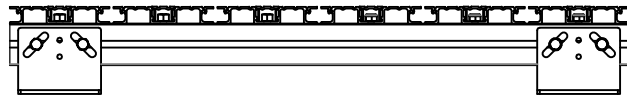
Pedestal Bracket

Maximum height 200mm

SCALE 1:1

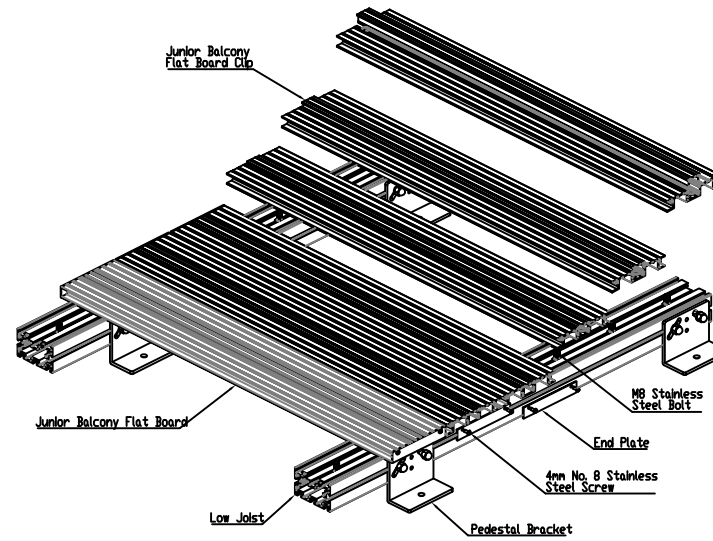


DETAIL A



DETAIL B

CROSS SECTION VIEWS



ISOMETRIC VIEW

Board Span (Center to Center of Joists) - 600mm
Joist Span (Center to Center of Pedestals) - 1200mm

Colour : 10 Standard Colours



From
This drawing and the product is provided to the user subject to the terms and conditions of the Milwood Group & Aldeck. Any reproduction of this drawing or product without the written permission of The Milwood Group & Aldeck is prohibited.

Drawing Title:
(Aldeck) - (Junior Balcony Flat Board, Low Joist & Pedestal Bracket)

Product:
Junior Flat Board, Low Joist & Pedestal Bracket

Date	Page Size	Scale	Drawn
31-01-21	A3 (L)	1:3	Shayan
Issuer	Sequence	(Tot)	Rev
MIL	000001	1/1	V1
Finish	Page		
PPC	1 of 1		

If in any doubt
check with us
We drawing will
be on 100% ISO 9001