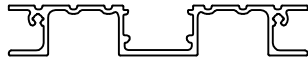


Lite Joist
 Maximum span between fixings: 1000mm
 SCALE 1:1



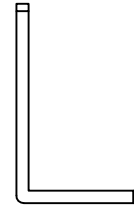
Junior Balcony Flat Board
 Maximum span between fixings: 600mm
 Length of extrusion slots: 6n & 4n
 Can be joined
 SCALE 1:1



Junior Balcony Flat Board Clip
 Maximum length: 6000mm
 Can be joined
 SCALE 1:1



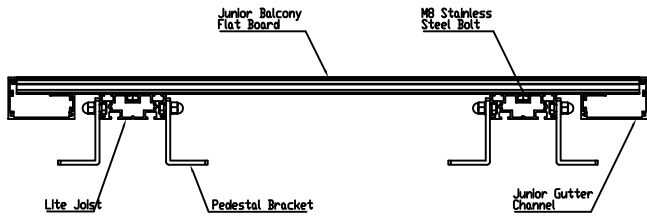
Junior Balcony Board Drainage Channel
 Maximum length: 6000mm
 Can not be joined
 SCALE 1:1



Pedestal Bracket
 Maximum height: 200mm
 SCALE 1:1



Junior Balcony Board Gutter Channel
 Maximum length: 6000mm
 Can be joined
 SCALE 1:1

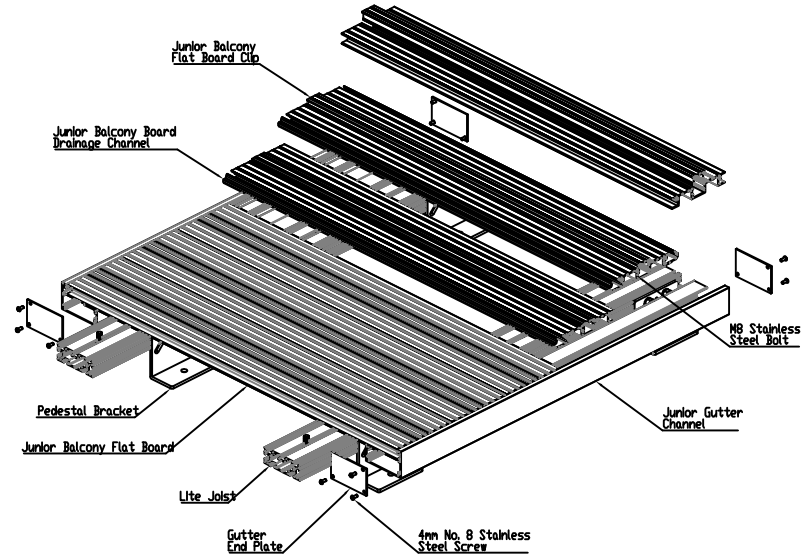


DETAIL A



DETAIL B

CROSS SECTION VIEWS



ISOMETRIC VIEW

Board Span (Center to Center of Joists) - 600mm
 Joist Span (Center to Center of Pedestals) - 1000mm

Colour : 10 Standard Colours



From
 This drawing and the product is provided to the user subject to the Milwood Group & Alideck any reproduction of this drawing or product without the written permission of The Milwood Group & Alideck is prohibited.

Drawing Title:
 (Alideck) - (Junior Balcony Flat Board, Lite Joist, Pedestal Bracket & Balcony Drainage System)

Product:
 Junior Flat Board, Lite Joist & Pedestal Bracket

Date	Page Size	Scale	Drawn
31-01-21	A3 (L)	1:3	Shayan
Issuer	Sequence	(Tot)	Rev
MIL	000001	1/1	V1
Finish	Page		
PPC	1 of 1		

If in any doubt about which of the drawing sets to use, please contact the sales department on 01203 250000