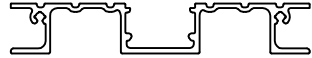


Lite Joist

Maximum span between fixings: 1000mm

SCALE 1:1



Junior Balcony Flat Board

Maximum span between fixings: 600mm
Length of extrusion stock: 6m & 4m
Can be joined

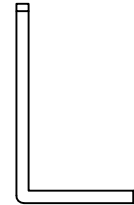
SCALE 1:1



Junior Balcony Flat Board Clip

Maximum length: 6000mm
Can be joined

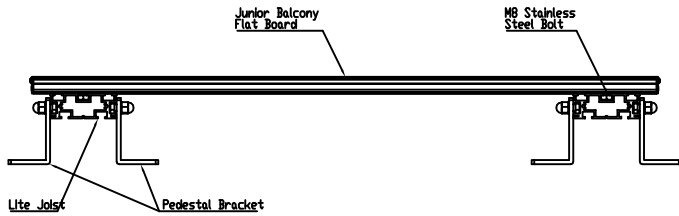
SCALE 1:1



Pedestal Bracket

Maximum height: 200mm

SCALE 1:1

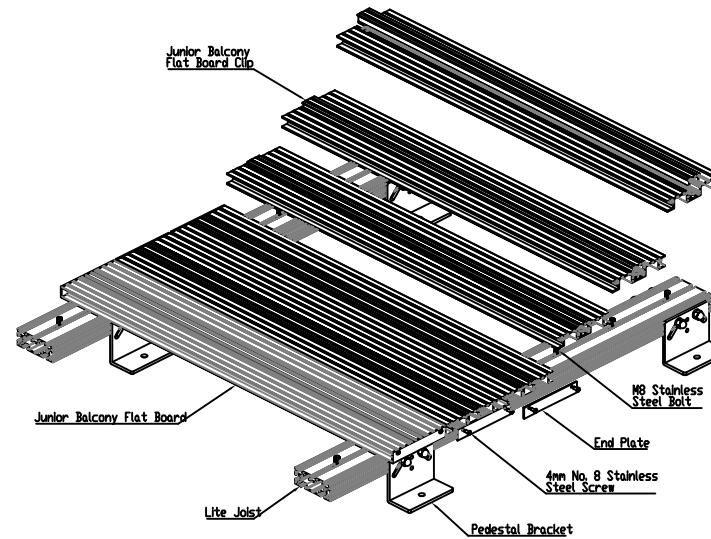


DETAIL A



DETAIL B

CROSS SECTION VIEWS



ISOMETRIC VIEW

Board Span (Center to Center of Joists) - 600mm
Joist Span (Center to Center of Pedestals) - 1000mm

Colour : 10 Standard Colours



From
This drawing and the product is provided as the sole property of The Milwood Group & Aldeck. Any reproduction of this drawing or product without the written permission of The Milwood Group & Aldeck is prohibited.

Drawing Title:
(Aldeck) - (Junior Balcony Flat Board, Lite Joist & Pedestal Bracket)

Product:
Junior Flat Board, Lite Joist & Pedestal Bracket

Date	Page Size	Scale	Drawn
31-01-21	A3 (L)	1:3	Shyam
Issuer	Sequence	(To)	Rev
MIL	000001	1/1	V1
Finish	Page		
PPC	1 of 1		

If in any doubt check with us
We drawing will be on 100% 1:1
2nd Angle Projection