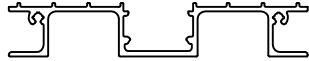


**Low Joist**  
 Maximum span between fixings 1200mm  
 SCALE 1:1



**Junior Balcony Board**  
 Maximum span between fixings 600mm  
 Length of extrusion slots 6m & 4m  
 Can be joined  
 SCALE 1:1



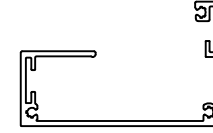
**Junior Balcony Board Clip**  
 Maximum length 6000mm  
 Can be joined  
 SCALE 1:1



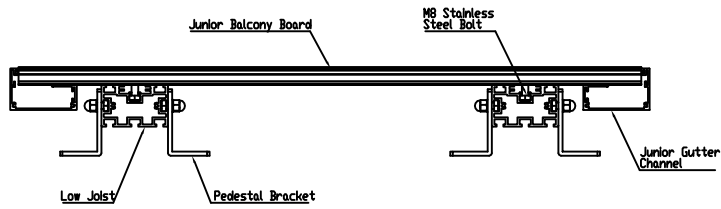
**Junior Balcony Board Drainage Channel**  
 Maximum length 6000mm  
 Can not be joined  
 SCALE 1:1



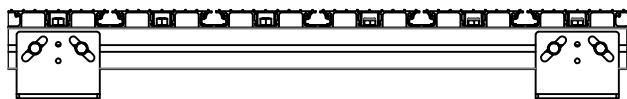
**Pedestal Bracket**  
 Maximum height 200mm  
 SCALE 1:1



**Junior Balcony Board Gutter Channel**  
 Maximum length 6000mm  
 Can be joined  
 SCALE 1:1

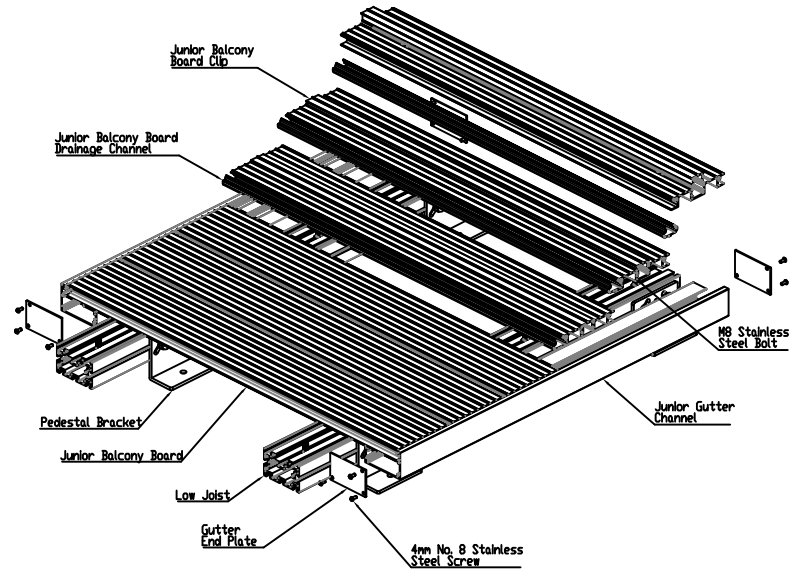


DETAIL A



DETAIL B

CROSS SECTION VIEWS



ISOMETRIC VIEW

Board Span (Center to Center of Joists) - 600mm  
 Joist Span (Center to Center of Pedestals) - 1200mm

Colour : 10 Standard Colours



From  
 This drawing and the product is provided to the client subject to the Milwood Group & Aldeck any reproduction of this drawing or product without the written permission of The Milwood Group & Aldeck is prohibited.

Drawing Title:  
 (Aldeck) - (Junior Balcony Board, Low Joist, Pedestal Bracket & Balcony Drainage System)

Product:  
 Junior Board, Low Joist & Pedestal Bracket

Date	Page Size	Scale	Drawn
31-01-21	A3 (L)	1:3	Shyam
Issuer	Sequence	(Tot)	Rev
MIL	000001	1/1	V1
Finish	Page		
PPC	1 of 1		