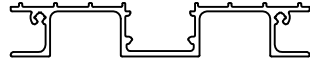


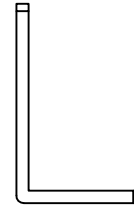
Low Joist
 Maximum span between flanges: 1000mm
 SCALE 1:1



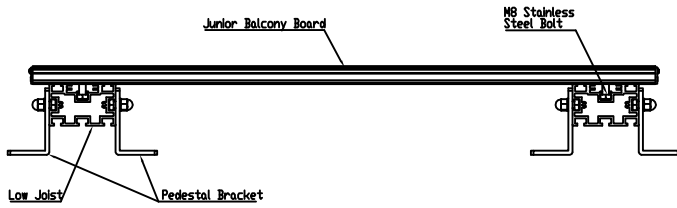
Junior Balcony Board
 Maximum span between flanges: 600mm
 Length of extrusion stock: 6m & 4m
 Can be joined
 SCALE 1:1



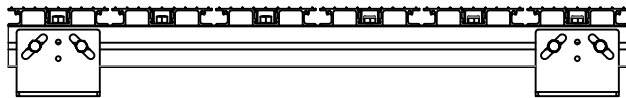
Junior Balcony Board Clip
 Maximum length: 6000mm
 Can be joined
 SCALE 1:1



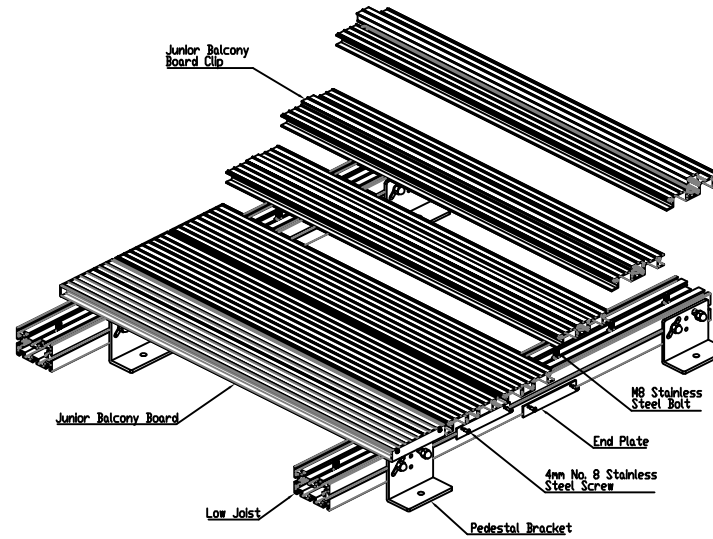
Pedestal Bracket
 Maximum height: 200mm
 SCALE 1:1



DETAIL A



DETAIL B
 CROSS SECTION VIEWS



ISOMETRIC VIEW

Board Span (Center to Center of Joists) - 600mm
 Joist Span (Center to Center of Pedestals) - 1200mm

Colour : 10 Standard Colours



From
 This drawing and the product is provided as the sole property of the Milwood Group & Aldeck. Any reproduction of this drawing or product without the written permission of the Milwood Group & Aldeck is prohibited.

Drawing Title:
 (Aldeck) - (Junior Balcony Board, Low Joist & Pedestal Bracket)

Product:
 Junior Board, Low Joist & Pedestal Bracket

Date	Page Size	Scale	Drawn
31-01-21	A3 (L)	1:3	Shyam
Issuer	Sequence	(Tot)	Rev
MIL	000001	1/1	V1
If in any doubt consult with us We drawing with us on 1800 555 433			Page
3rd Angle Projection			1 of 1