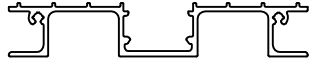


Lite Joist
Maximum span between fixings 1000mm
SCALE 1:1



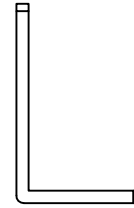
Junior Balcony Board
Maximum span between fixings 600mm
Length of extrusion slots 6m & 4m
Can be joined
SCALE 1:1



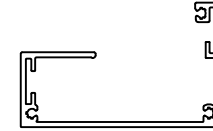
Junior Balcony Board Clip
Maximum length 6000mm
Can be joined
SCALE 1:1



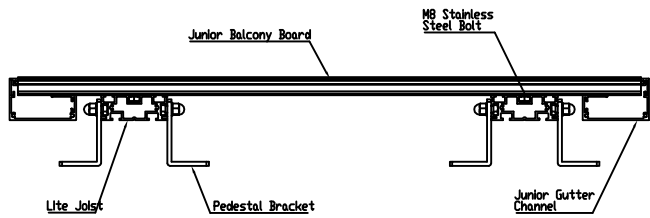
Junior Balcony Board Drainage Channel
Maximum length 6000mm
Can not be joined
SCALE 1:1



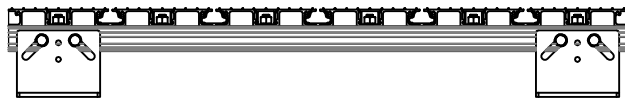
Pedestal Bracket
Maximum height 200mm
SCALE 1:1



Junior Balcony Board Gutter Channel
Maximum length 6000mm
Can be joined
SCALE 1:1

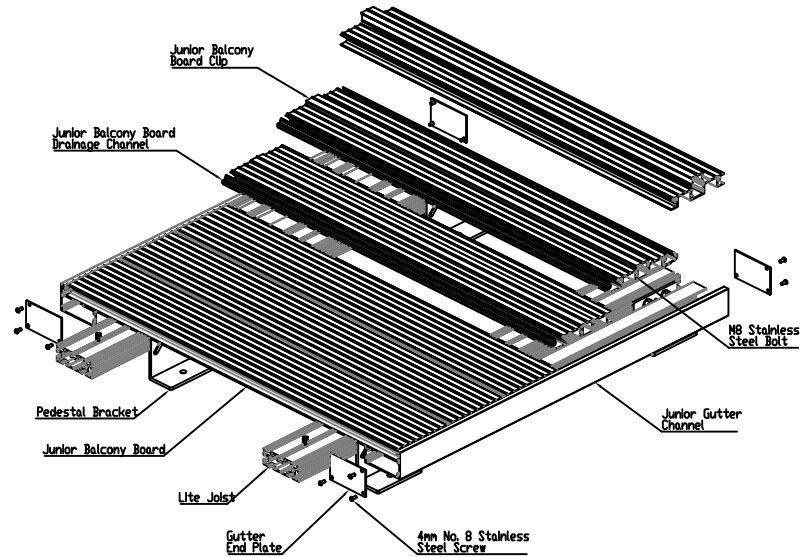


DETAIL A



DETAIL B

CROSS SECTION VIEWS



ISOMETRIC VIEW

Board Span (Center to Center of Joists) - 600mm
Joist Span (Center to Center of Pedestals) - 1000mm

Colour : 10 Standard Colours



From
This drawing and the product is shown to the sole property of
The Milwood Group & Alideck
any reproduction of this drawing
or product without the written
permission of The Milwood Group
& Alideck is prohibited.

Drawing Title:
(Alideck) - (Junior Balcony Board, Lite Joist,
Pedestal Bracket & Balcony Drainage System)

Product:
Junior Board, Lite Joist & Pedestal Bracket

Date	Page Size	Scale	Drawn
31-01-21	A3 (L)	1:3	Shyam
Issuer	Sequence	(Tot)	Rev
MIL	000001	1/1	V1
If in any doubt check with us We drawing will be on 100% line off		Finish	Page
		PPC	1 of 1