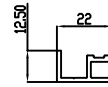


AlClad Flow Flat Soffit Underclad

Maximum length 6000mm

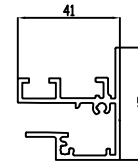
SCALE 1:1



Underclad Starter Trim

Maximum length 6000mm

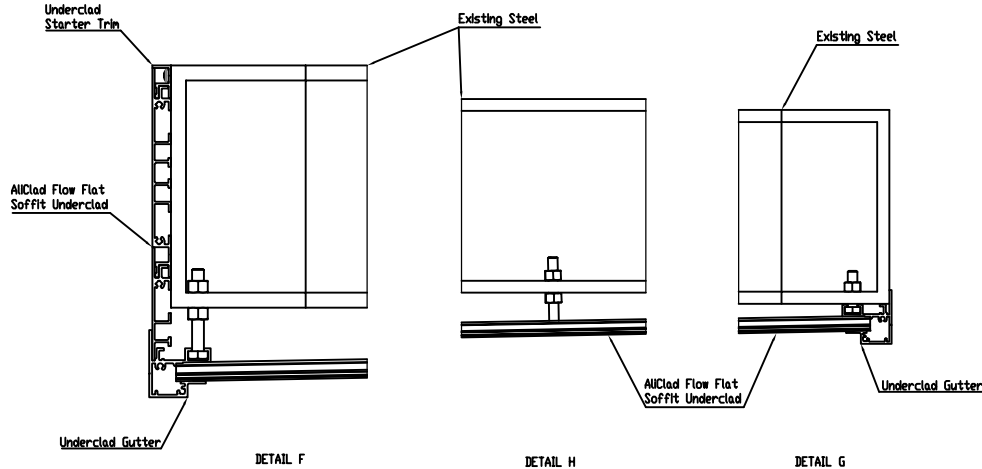
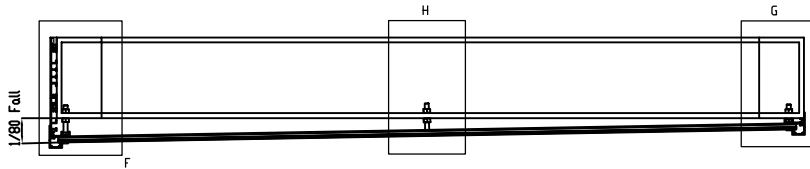
SCALE 1:1



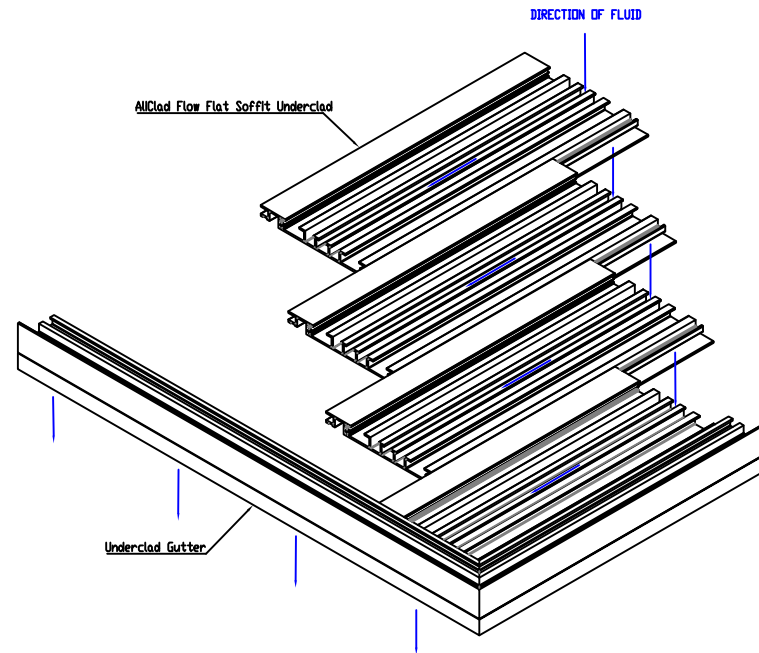
Underclad Gutter

Maximum length 6000mm
Can be joined

SCALE 1:1



CROSS SECTION VIEWS



Colour : Any Standard RAL
Colour



From
This drawing and the product is provided as the sole property of The Mineral Group & subject any reproduction of this drawing or product without the written permission of The Mineral Group & Alclad is prohibited.

Drawing Title:
AlClad Flow - Cladding Profile - (Standard Drawing)

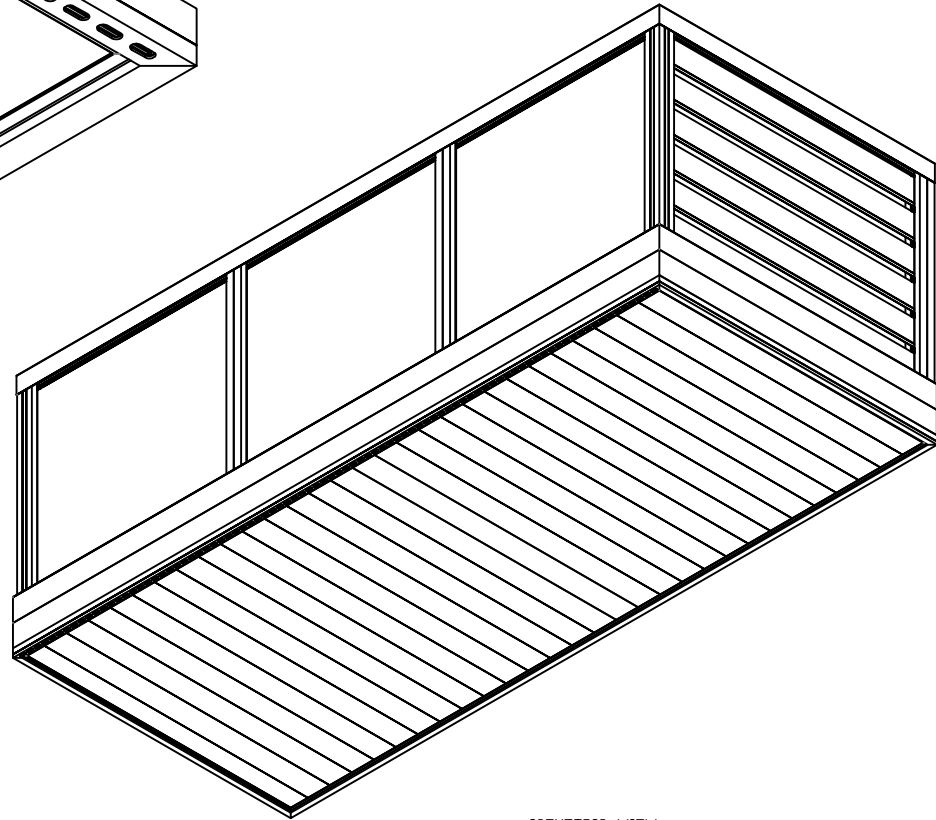
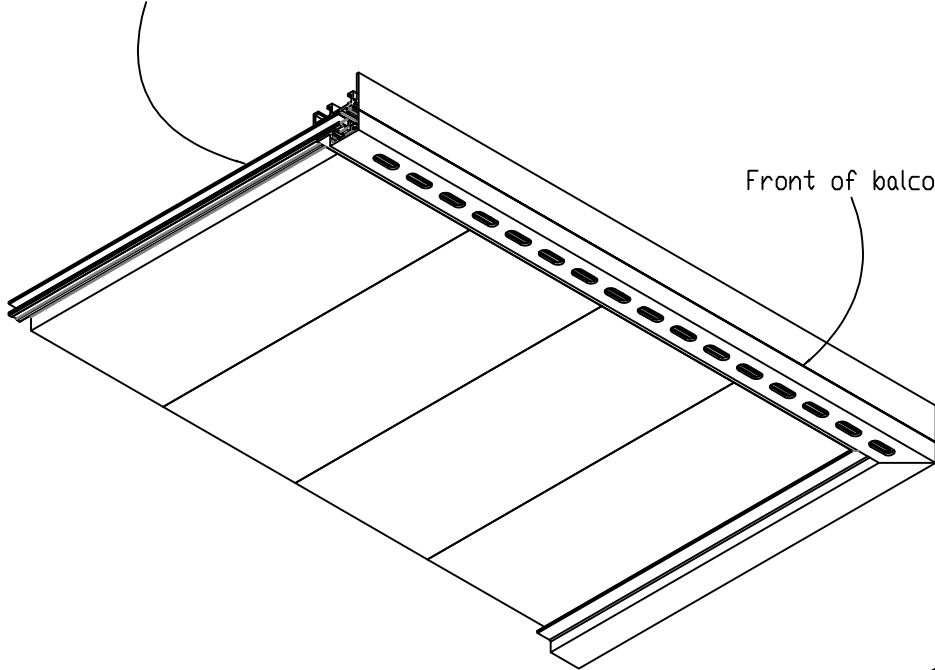
Product:
AlClad Flow

Date	Page Size	Scale	Drawn
08-02-21	A2 (L)	1:3	Shayan
Issuer	Sequence	(Tot)	Rev
MIL	000001	1/1	V1
Finish	Page		
PPC	1 of 2		

2nd Angle Projection

Corner section from underside

Front of balcony



ISOMETRIC VIEW

Colour : Any Standard RAL
Colour



From
This drawing and the product is shown is the sole property of
The Milwood Group. In respect
any reproduction of this drawing
or product without the written
permission of The Milwood Group
is strictly prohibited.

Drawing Title:
AlClad Flow - Cladding Profile - (Standard Drawing)

Product:
AlClad Flow

Date	Page Size	Scale	Drawn
08-02-21	A2 (L)	1:3	Shyam
Issuer	Sequence	(Tot)	Rev
MIL	000001	1/1	V1
Finish			Page
PPC			2 of 2

