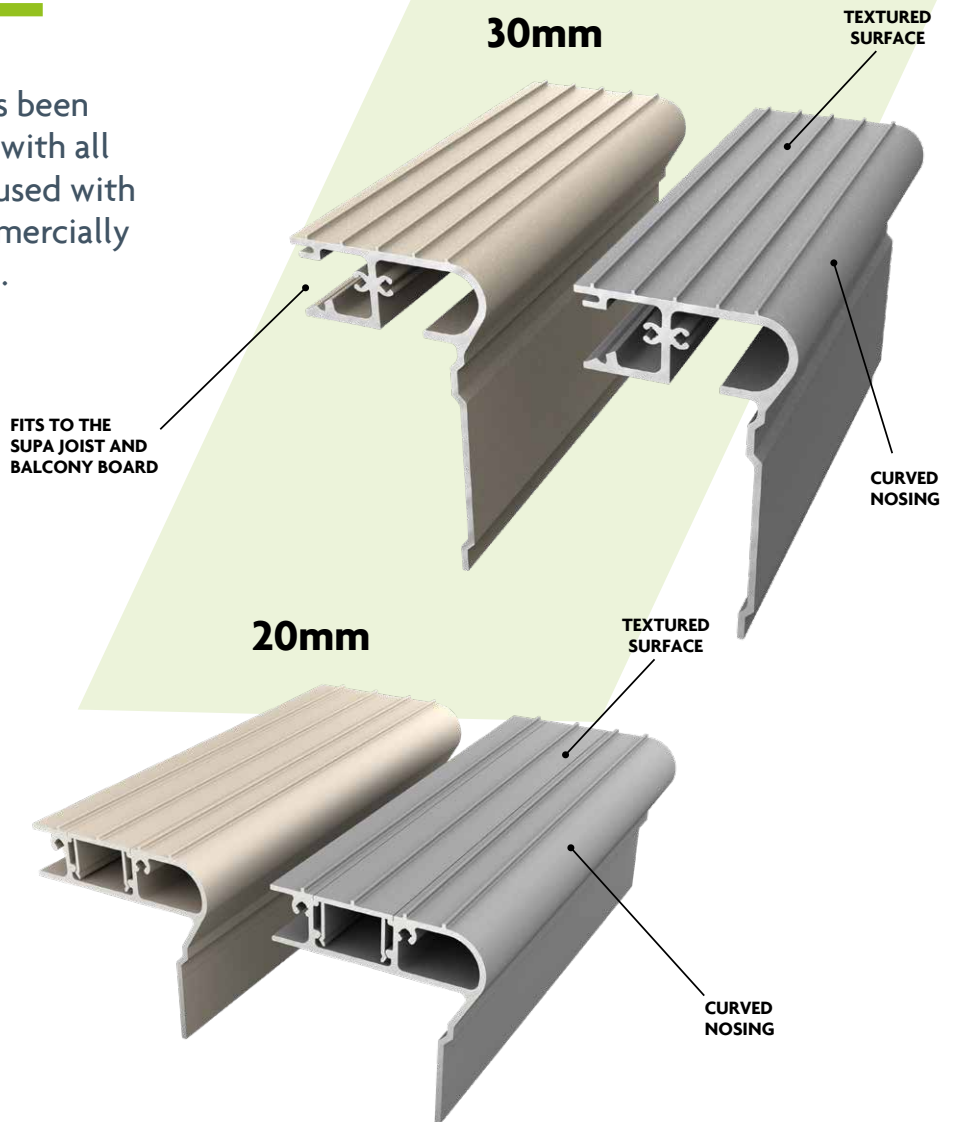
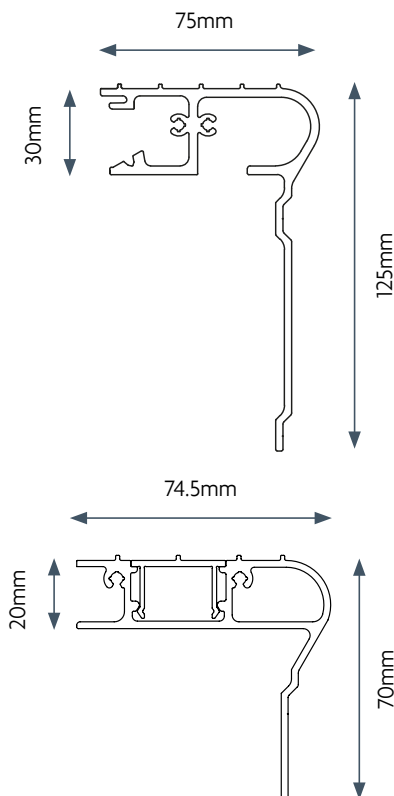


AliDeck NOSING PROFILE

Specification Datasheet

The AliDeck Nosing Extrusion has been designed to work in conjunction with all other AliDeck extrusions. When used with two of our deck boards it is commercially compliant for tread specification. (280mm)

Dimensions



Product Specification

Dimensions:	74.5 x 70mm and 75mm x 125mm
Compliance:	Commercial Tread Specification
Material:	6063 T6 aluminium 30% minimum recycled
Colours:	Textured Silver Grey / Textured Sand.
Stock Extrusion Length:	6m

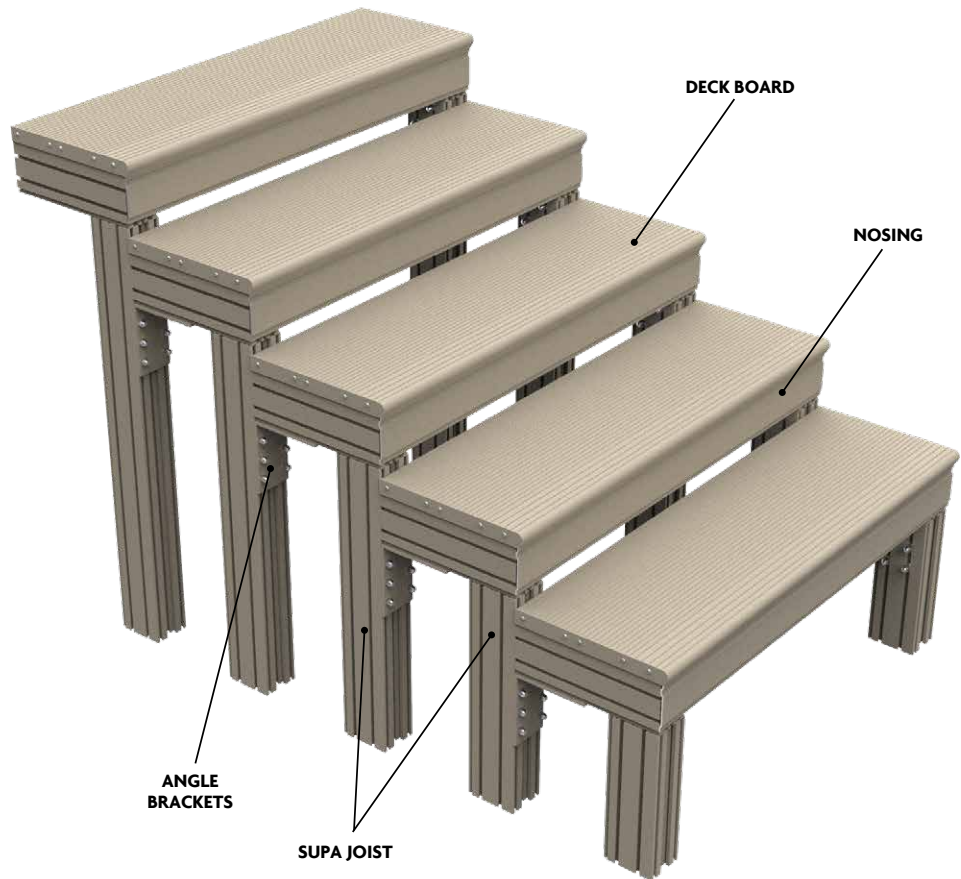
Rochester Airport Trading Estate
27 Laker Road
Rochester
Kent ME1 3QX

Tel: 01622 235 672
Email: info@alideck.co.uk
www.alideck.co.uk

ALIDECK™
Aluminium Decking

Construction

The Nosing Profiles are modular and work with the AliDeck Standard Board, Slip Resistant Board, Balcony Board, Junior Balcony Board and Supa & Low Joists.



Maintenance

Due to the fact that AliDeck is aluminium and finished using the 5 stage Qualicoat system, little or no maintenance is required. General grime can be removed simply with a damp, lint free cloth or mop with warm soapy water.

Colour Options

AliDeck Nosing Profiles are available in our full range of standard colours. Please refer to our Standard Colour Range datasheet for colour options (available at www.alideck.co.uk/downloads).

Non-standard colours are available on request as special orders, but may affect cost and lead-time. The Nosing Profiles can be supplied non-coated/mill finish to achieve A1 fire rating.



Warranty

The nosing is supplied with a **30 year warranty** against splitting, cracking, warping, splintering, rotting, twisting and material or manufacturing defects. It has a minimum **60 year life** expectancy.



ALL
ALUMINIUM



HEAT
RESISTANT



DURABLE
TEXTURED FINISH



LOW
MAINTENANCE



RECYCLABLE



STABLE IN ALL
WEATHER
CONDITIONS

Rochester Airport Trading Estate
27 Laker Road
Rochester
Kent ME1 3QX

Tel: 01622 235 672
Email: info@alideck.co.uk
www.alideck.co.uk

 **ALiDECK**™
Aluminium Decking