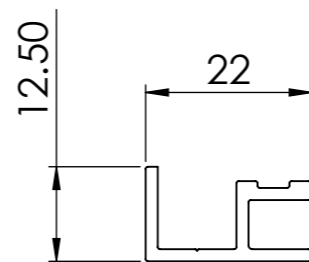
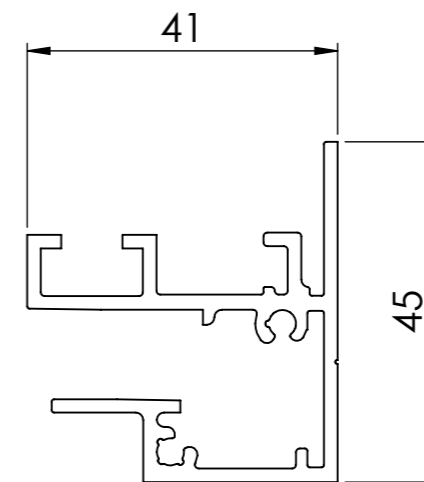


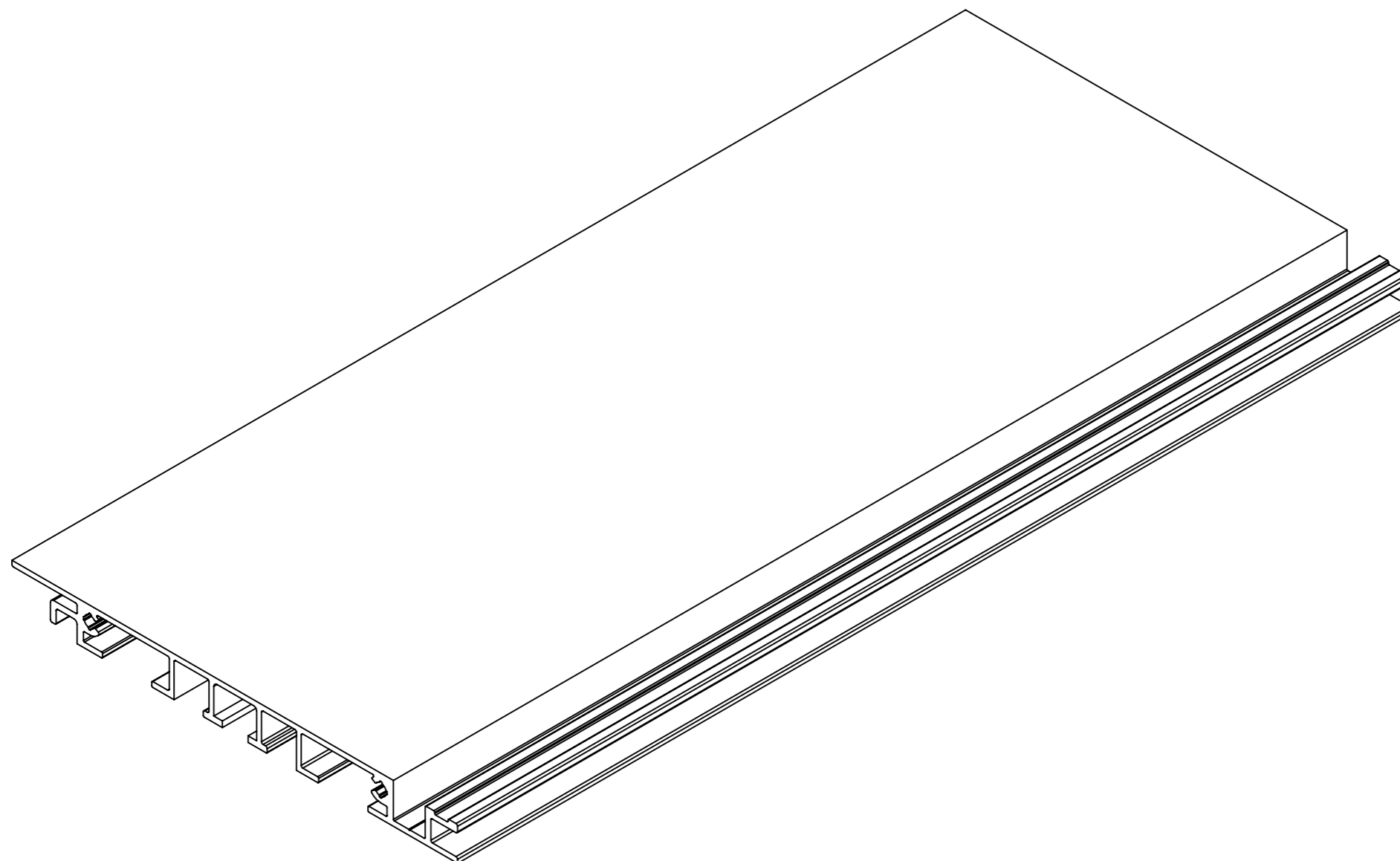
AliClad Flow Flat Soffit Underclad



Underclad Starter Trim



Underclad Gutter



**Notes.**  
Example sections of AliClad Flow

**Customer Sign Off.**

Sign \_\_\_\_\_

Date \_\_\_\_\_

**Record Of Revision Changes.**

1. Creation of drawing (V1)

**Colour;** Any Standard RAL Colour

**Delivery and Storage.**

When components are delivered please ensure they are inspected and stored flat, also please ensure they are stored out of the sun. Do not store components upright.

**Product Details:**

AliClad Flow flat soffit Underclad, Underclad Starter Trim and Underclad Gutter



From

This drawing and the product it displays is the sole property of The Milwood Group & Alideck any reproduction of this drawing or product without the written permission of The Milwood Group & Alideck is prohibited.



**Drawing Title:**

(AliClad Flow - Cladding Profile) - (Standard Drawing)

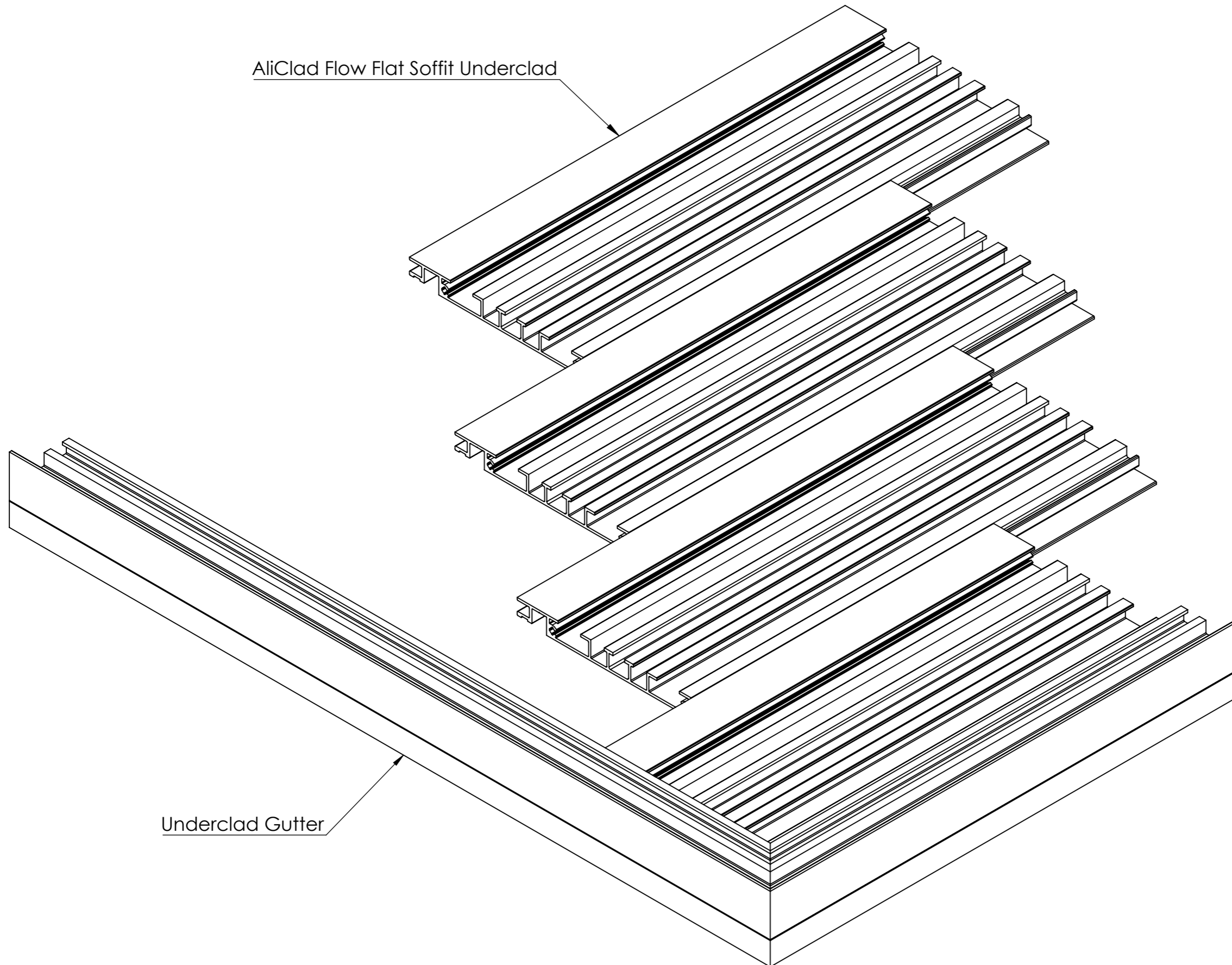
**Product:**

Cladding Profile

Date	Page Size	Scale	Drawn
05-11-20	A3 (L)	DNS	Shyam
Issuer	Sequence	(Tol)	Rev
MIL	000001	+/- 1mm	V1
If in any doubt about details on this drawing call us on 01622 235 672		Finish	Page
		PPC	1 of 5

**Notes.**  
Example sections of AliClad Flow

# Corner Detail



**Customer Sign Off.**

Sign \_\_\_\_\_

Date \_\_\_\_\_

**Record Of Revision Changes.**

1. Creation of drawing (V1)

**Colour;** Any Standard RAL Colour

**Delivery and Storage.**

When components are delivered please ensure they are inspected and stored flat, also please ensure they are stored out of the sun. Do not store components upright.

**Product Details:**

AliClad Flow flat soffit Underclad, Underclad Starter Trim and Underclad Gutter



From

This drawing and the product it displays is the sole property of The Milwood Group & Alideck any reproduction of this drawing or product without the written permission of The Milwood Group & Alideck is prohibited.

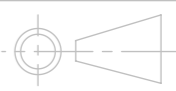


**Drawing Title:**

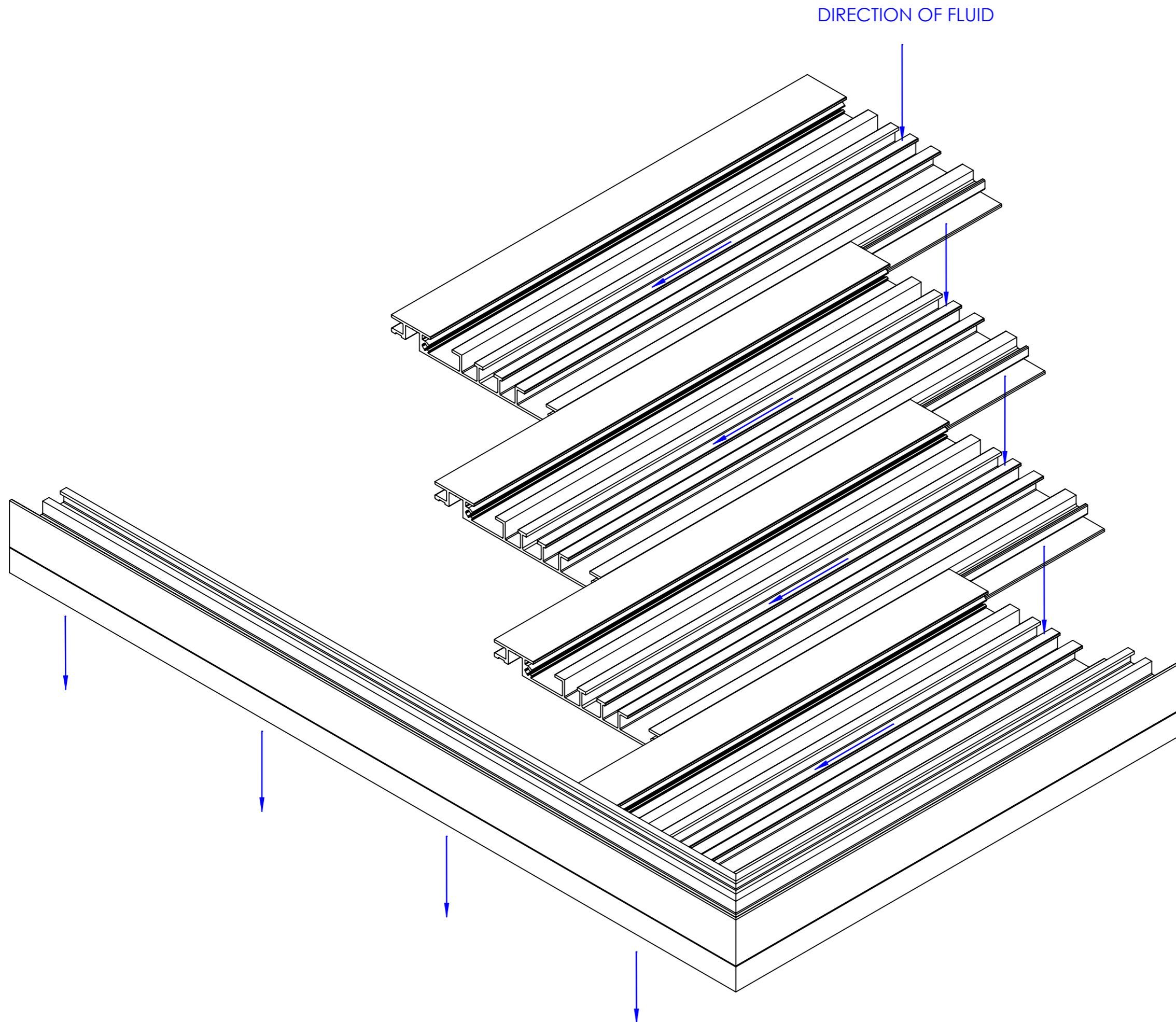
(AliClad Flow - Cladding Profile) - (Standard Drawing)

**Product:**

Cladding Profile

<b>Date</b> 05-11-20	<b>Page Size</b> A3 (L)	<b>Scale</b> DNS	<b>Drawn</b> Shyam
<b>Issuer</b> MIL	<b>Sequence</b> 000001	<b>(Tol)</b> +/- 1mm	<b>Rev</b> V1
If in any doubt about details on this drawing call us on 01622 235 672	 3rd Angle Projection	<b>Finish</b> PPC	<b>Page</b> 2 of 5

**Notes.**  
Example sections of AliClad Flow



**Customer Sign Off.**

Sign \_\_\_\_\_

Date \_\_\_\_\_

**Record Of Revision Changes.**

1. Creation of drawing (V1)

**Colour;** Any Standard RAL Colour

**Delivery and Storage.**

When components are delivered please ensure they are inspected and stored flat, also please ensure they are stored out of the sun. Do not store components upright.

**Product Details:**

AliClad Flow flat soffit Underclad, Underclad Starter Trim and Underclad Gutter



From

This drawing and the product it displays is the sole property of The Milwood Group & Alideck any reproduction of this drawing or product without the written permission of The Milwood Group & Alideck is prohibited.




**Drawing Title:**

(AliClad Flow - Cladding Profile) - (Standard Drawing)

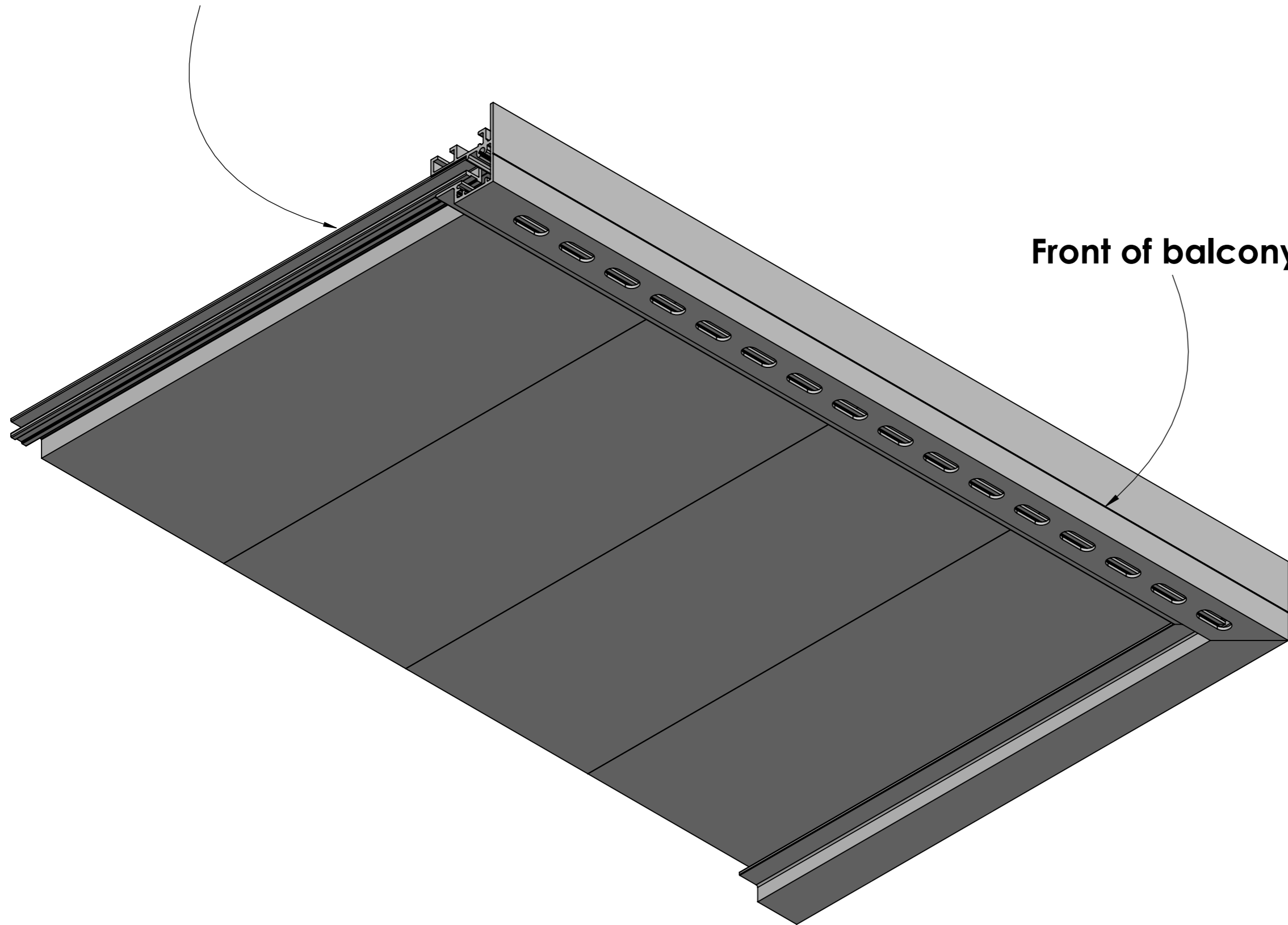
**Product:**

Cladding Profile

Date	Page Size	Scale	Drawn
05-11-20	A3 (L)	DNS	Shyam
Issuer	Sequence	(Tol)	Rev
MIL	000001	+/- 1mm	V1
If in any doubt about details on this drawing call us on 01622 235 672		Finish	Page
		PPC	3 of 5

**Notes.**  
Example sections of AliClad Flow

### Corner section from underside



**Customer Sign Off.**

Sign \_\_\_\_\_

Date \_\_\_\_\_

**Record Of Revision Changes.**

1. Creation of drawing (V1)

**Colour;** Any Standard RAL Colour

**Delivery and Storage.**

When components are delivered please ensure they are inspected and stored flat, also please ensure they are stored out of the sun. Do not store components upright.

**Product Details:**

AliClad Flow flat soffit Underclad, Underclad Starter Trim and Underclad Gutter



From

This drawing and the product it displays is the sole property of The Milwood Group & Alideck any reproduction of this drawing or product without the written permission of The Milwood Group & Alideck is prohibited.

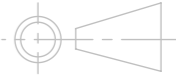


**Drawing Title:**

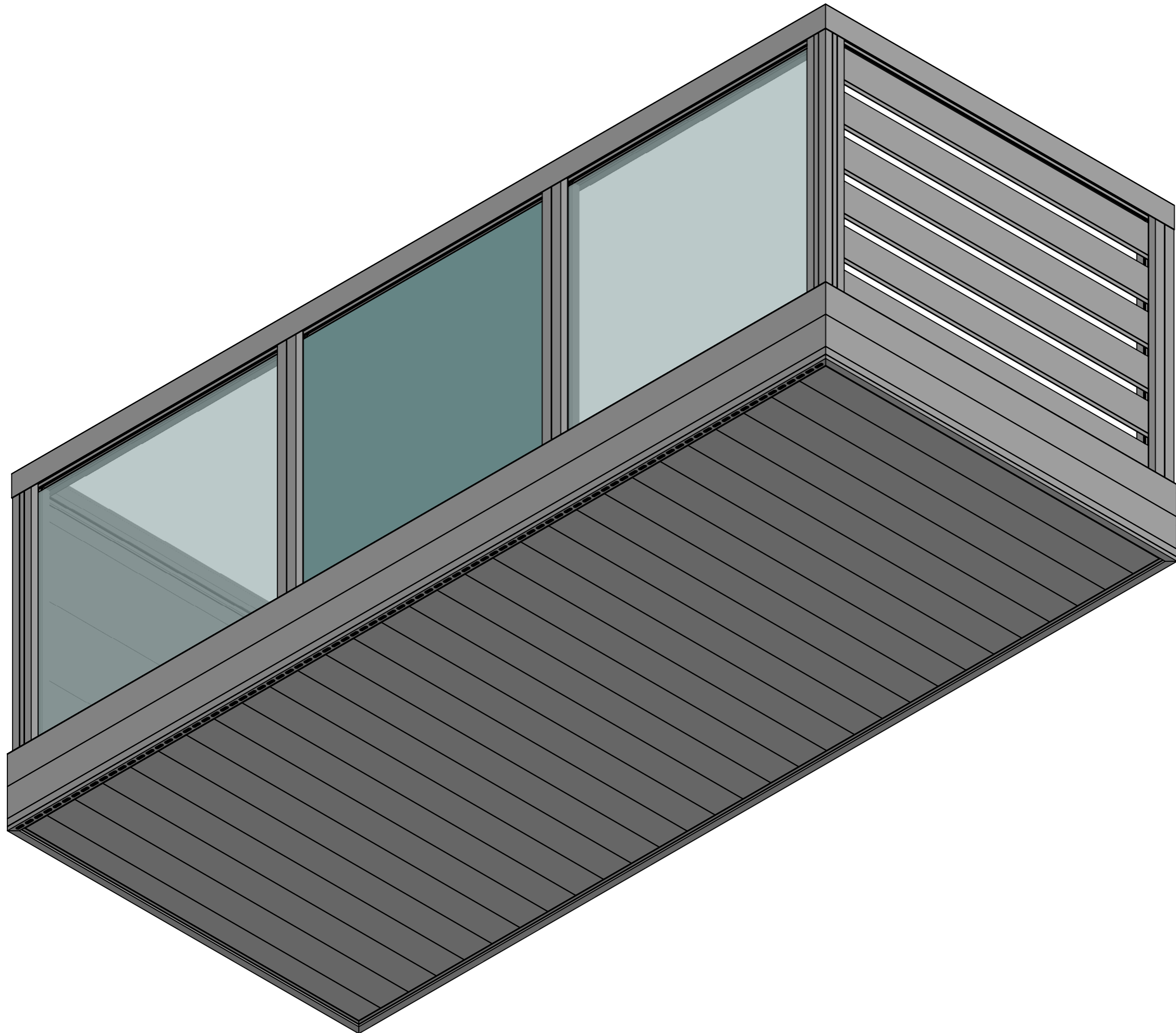
(AliClad Flow - Cladding Profile) - (Standard Drawing)

**Product:**

Cladding Profile

<b>Date</b> 05-11-20	<b>Page Size</b> A3 (L)	<b>Scale</b> DNS	<b>Drawn</b> Shyam
<b>Issuer</b> MIL	<b>Sequence</b> 000001	<b>(Tol)</b> +/- 1mm	<b>Rev</b> V1
If in any doubt about details on this drawing call us on 01622 235 672	 3rd Angle Projection	<b>Finish</b> PPC	<b>Page</b> 4 of 5





**Notes.**  
Example sections of AliClad Flow

**Customer Sign Off.**

Sign \_\_\_\_\_

Date \_\_\_\_\_

**Record Of Revision Changes.**

1. Creation of drawing (V1)

**Colour;** Any Standard RAL Colour

**Delivery and Storage.**

When components are delivered please ensure they are inspected and stored flat, also please ensure they are stored out of the sun. Do not store components upright.

**Product Details:**

AliClad Flow flat soffit Underclad, Underclad Starter Trim and Underclad Gutter



From

This drawing and the product it displays is the sole property of The Milwood Group & Alideck any reproduction of this drawing or product without the written permission of The Milwood Group & Alideck is prohibited.

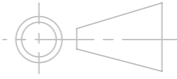


**Drawing Title:**

*(AliClad Flow - Cladding Profile) - (Standard Drawing)*

**Product:**

Cladding Profile

Date	Page Size	Scale	Drawn
05-11-20	A3 (L)	DNS	Shyam
Issuer	Sequence	(To)	Rev
MIL	000001	+/- 1mm	V1
If in any doubt about details on this drawing call us on 01622 235 672		Finish	Page
	3rd Angle Projection	PPC	5 of 5