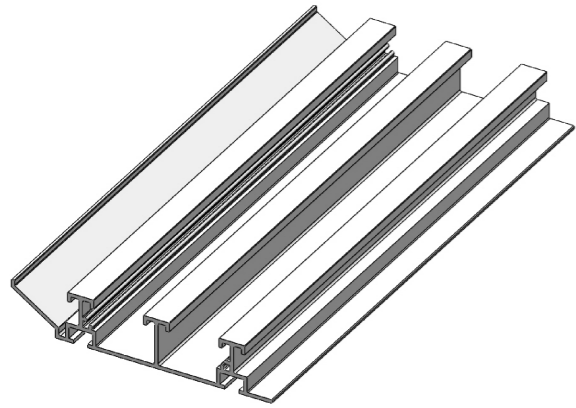


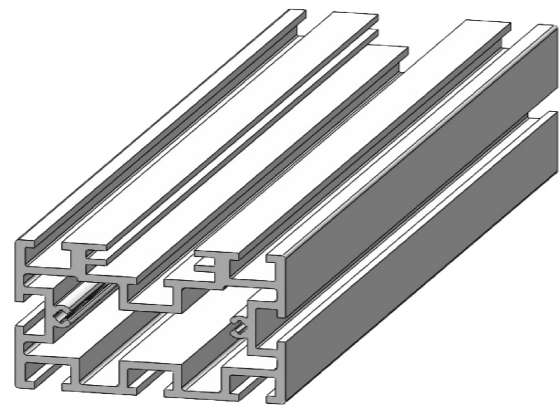
(Alideck) - (AliPave With Spacer Plate, Low Joist & Access Gutter) - (Installation Guide)

Notes.
Example AliPave paving support system

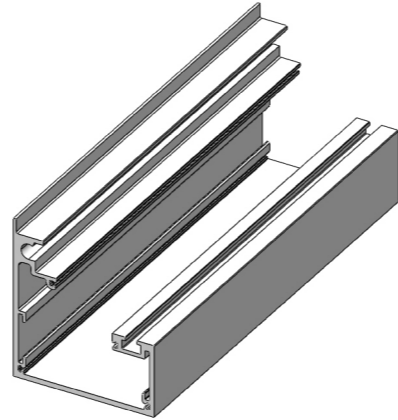
A. AliPave Profile



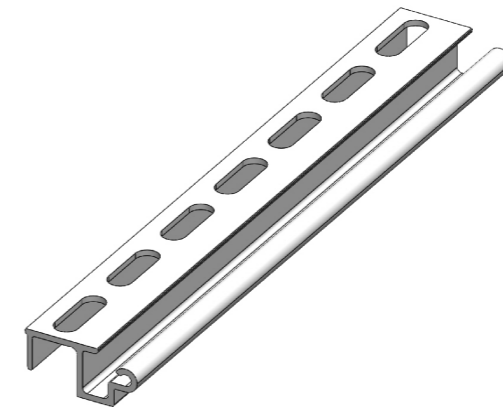
B. Low Joist



C. Access Gutter



D. Access Cover



Customer Sign Off.

Sign _____

Date _____

Record Of Revision Changes.

1. Creation of drawing (V1)

Colour; Mill Finish

Delivery and Storage.
Store all components flat. Do not store good in direct sunlight. Do not store components, extrusions or joists standing upright.

Product Details:

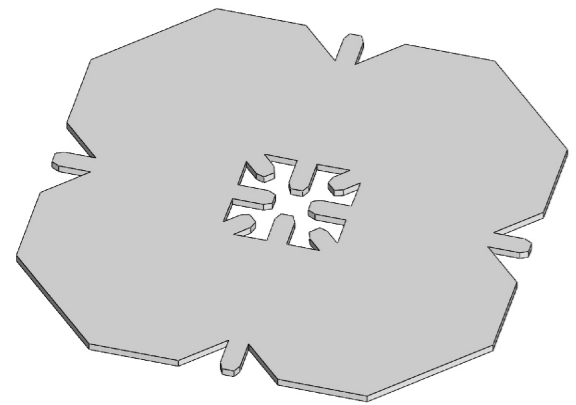
Length: 4 meters & 6 meters
Width: 150mm
Depth: 27mm
Allowable Span: 1000mm on 1.5kN load



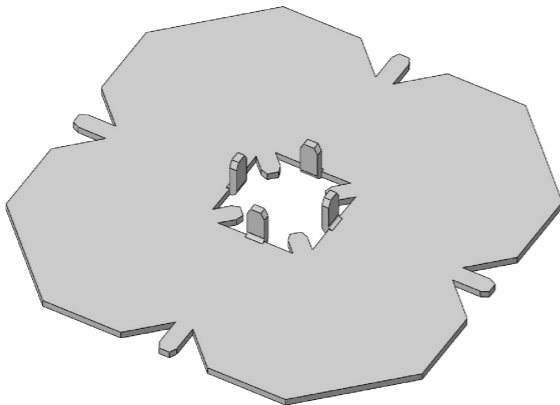
This drawing and the product it displays is the sole property of The Milwood Group & Alideck any reproduction of this drawing or product without the written permission of The Milwood Group & Alideck is prohibited.



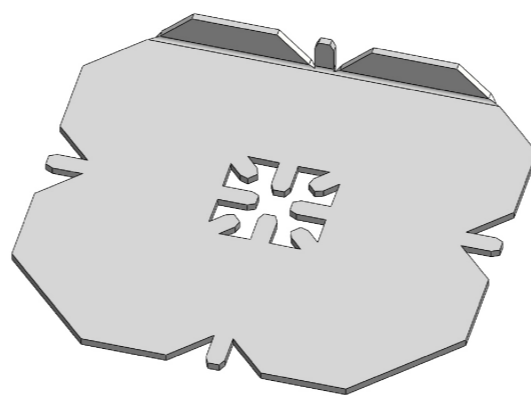
E. Spacer Plate 1



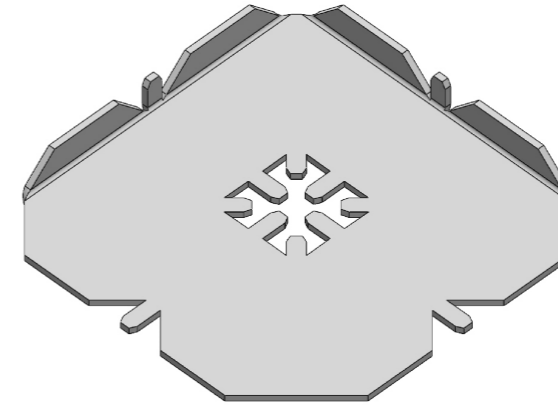
F. Spacer Plate 2



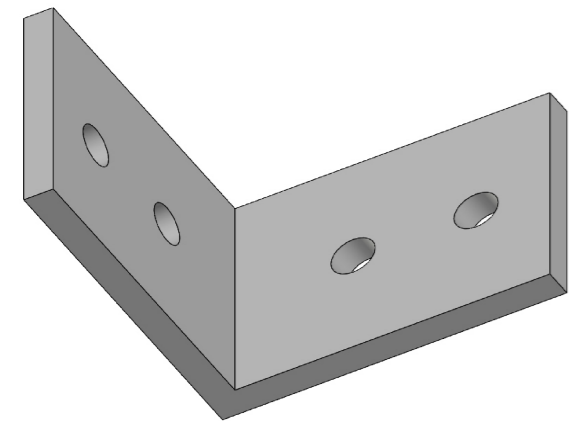
G. Spacer Plate 3



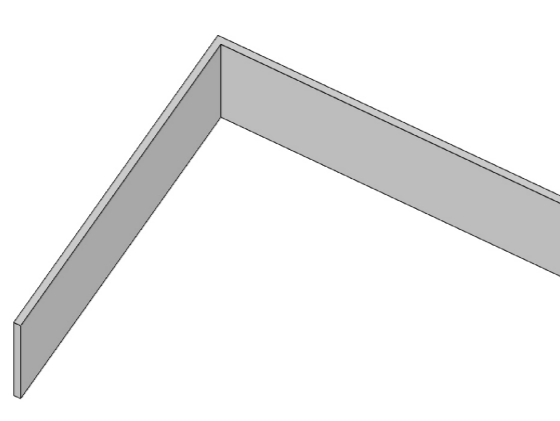
H. Spacer Plate 4



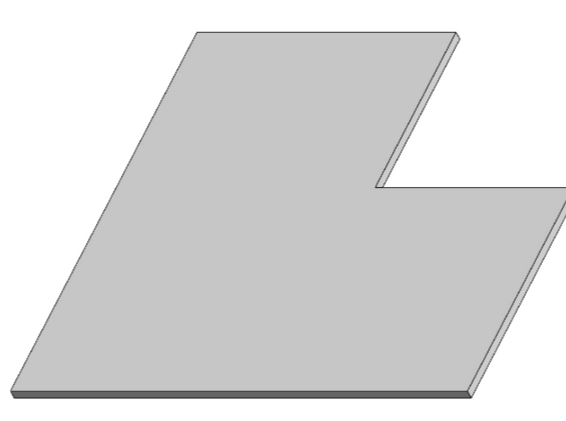
I. Fixing Bracket



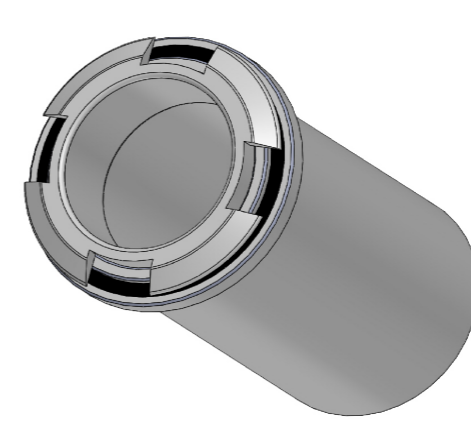
J. Joiner Plate 1



K. Joiner Plate 2



L. Spigot

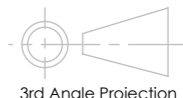


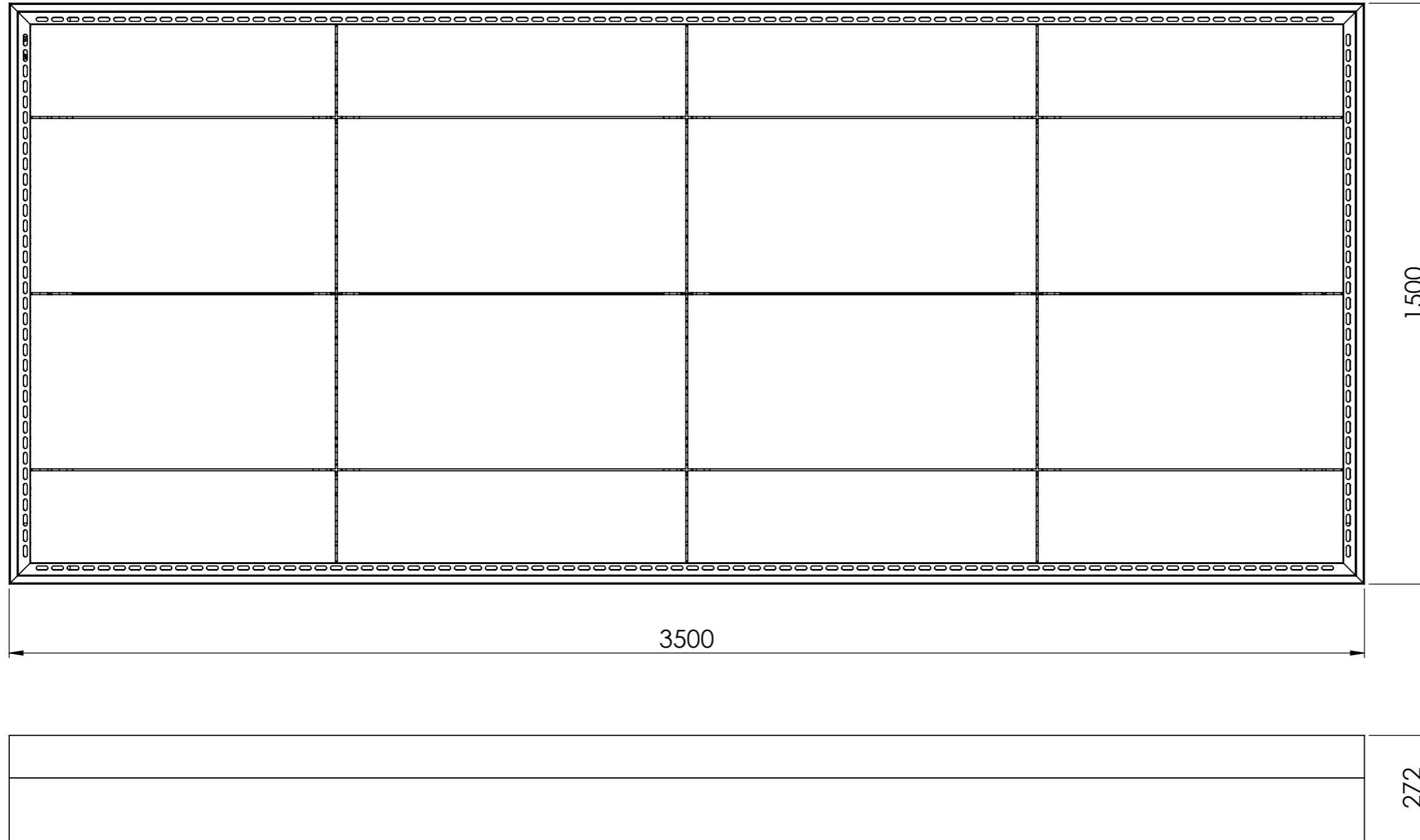
Drawing Title:

(Alideck) - (AliPave With Spacer Plate, Low Joist & Access Gutter) - (Installation Guide)

Product:

AliPave Profile

Date	Page Size	Scale	Drawn
20-09-20	A3 (L)	DNS	Shyam
Issuer	Sequence	(Tol)	Rev
MIL	000001	+/- 1mm	V1
If in any doubt about details on this drawing call us on 01622 235 672		Finish	Page
	3rd Angle Projection	PPC	1 of 11



Notes.
Example AliPave paving support system

Customer Sign Off.

Sign _____

Date _____

Record Of Revision Changes.

- Creation of drawing (V1)

Colour; Mill Finish

Delivery and Storage.

Store all components flat. Do not store good in direct sunlight. Do not store components, extrusions or joists standing upright.

Product Details:

Length: 4 meters & 6 meters
Width: 150mm
Depth: 27mm
Allowable Span: 1000mm on 1.5kN load



From

This drawing and the product it displays is the sole property of The Milwood Group & Alideck any reproduction of this drawing or product without the written permission of The Milwood Group & Alideck is prohibited.



Drawing Title:

(Alideck) - (AliPave With Spacer Plate, Low Joist & Access Gutter) - (Installation Guide)

Product:

AliPave Profile

Date	Page Size	Scale	Drawn
20-09-20	A3 (L)	DNS	Shyam
Issuer	Sequence	(Tol)	Rev
MIL	000001	+/- 1mm	V1
If in any doubt about details on this drawing call us on 01622 235 672		Finish	Page
	3rd Angle Projection	PPC	2 of 11

Important guidance notes for installation:

- Steel frame must have 50mm raised bearers to support AliPave profile level to AliPave gutter. Alternatively, if steel framework is flush then install AliDeck 50mm Low Joist to support AliPave profile.
- Maximum span of AliPave profile is 1000mm.
- Before installation, consideration must be given to placement of gutter downpipe spigot, as this will need to run through the steel framework.
- Do not penetrate AliPave profile with fixings at any point that is not above the gutter, as this will compromise drainage.
- When cutting AliPave profiles along their length, ensure to leave enough horizontal profile surface or at least one bolt channel to allow fixing.
- Please ensure the decking is covered with a barrier (plywood or plastic material) once installed to prevent any third party debris, swarf or waste material from potentially damaging the surface finish.
- Fixings to use are M8 Stainless Steel Bolts, Nuts and Washers and Self-Drilling Screws if required.
- If your installation requirements are outwith the methodology in this guide, contact AliDeck for technical advise.

(Alideck) - (AliPave With Spacer Plate, Low Joist & Access Gutter) - (Installation Guide)

Notes.
Example AliPave paving support system

Customer Sign Off.
Sign _____
Date _____

Record Of Revision Changes.
1. Creation of drawing (V1)

Colour; Mill Finish

Delivery and Storage.
Store all components flat. Do not store good in direct sunlight. Do not store components, extrusions or joists standing upright.

Product Details:
Length: 4 meters & 6 meters
Width: 150mm
Depth: 27mm
Allowable Span: 1000mm on 1.5kN load



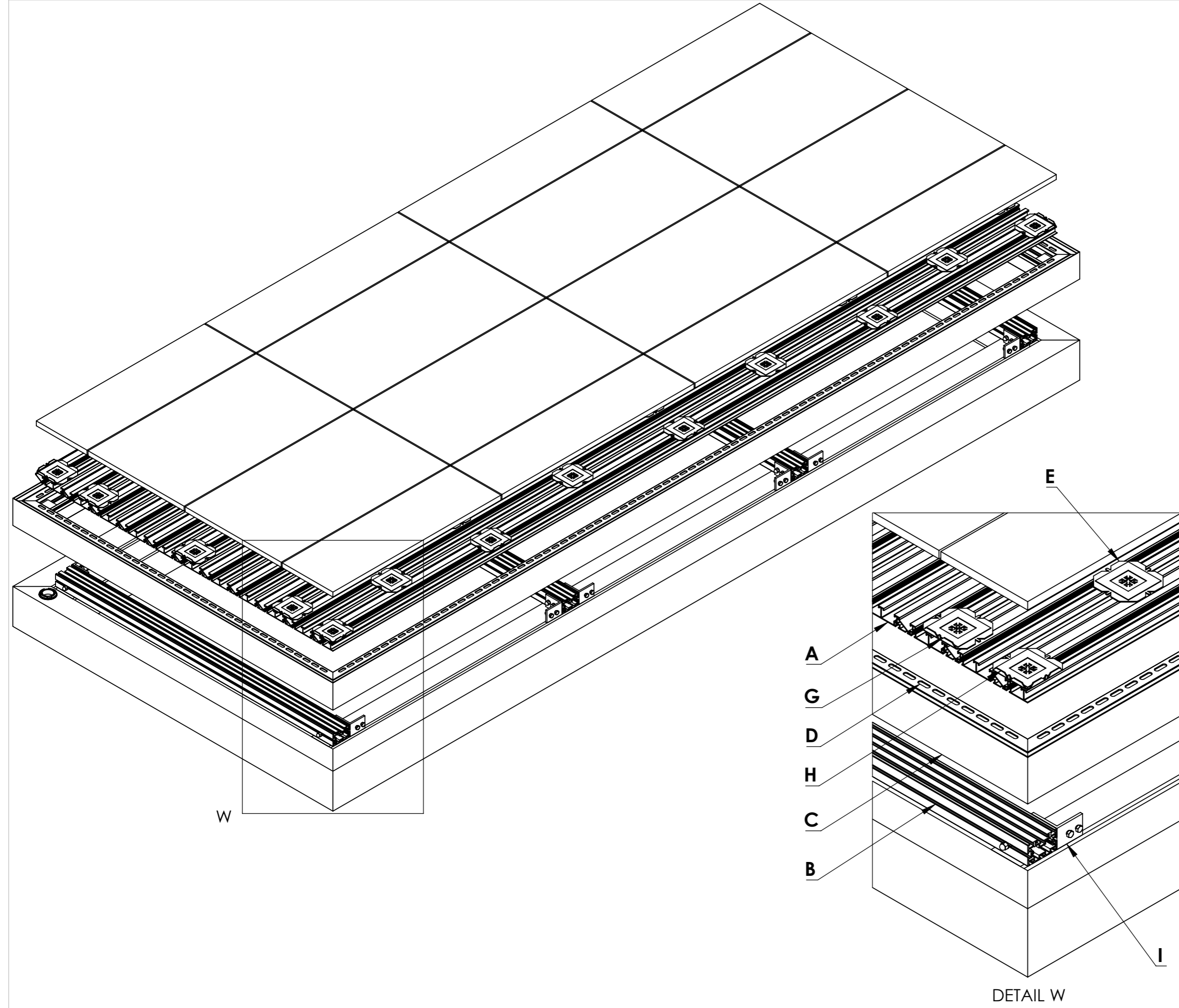
From
This drawing and the product it displays is the sole property of The Milwood Group & Alideck any reproduction of this drawing or product without the written permission of The Milwood Group & Alideck is prohibited.



Drawing Title:
(Alideck) - (AliPave With Spacer Plate, Low Joist & Access Gutter) - (Installation Guide)

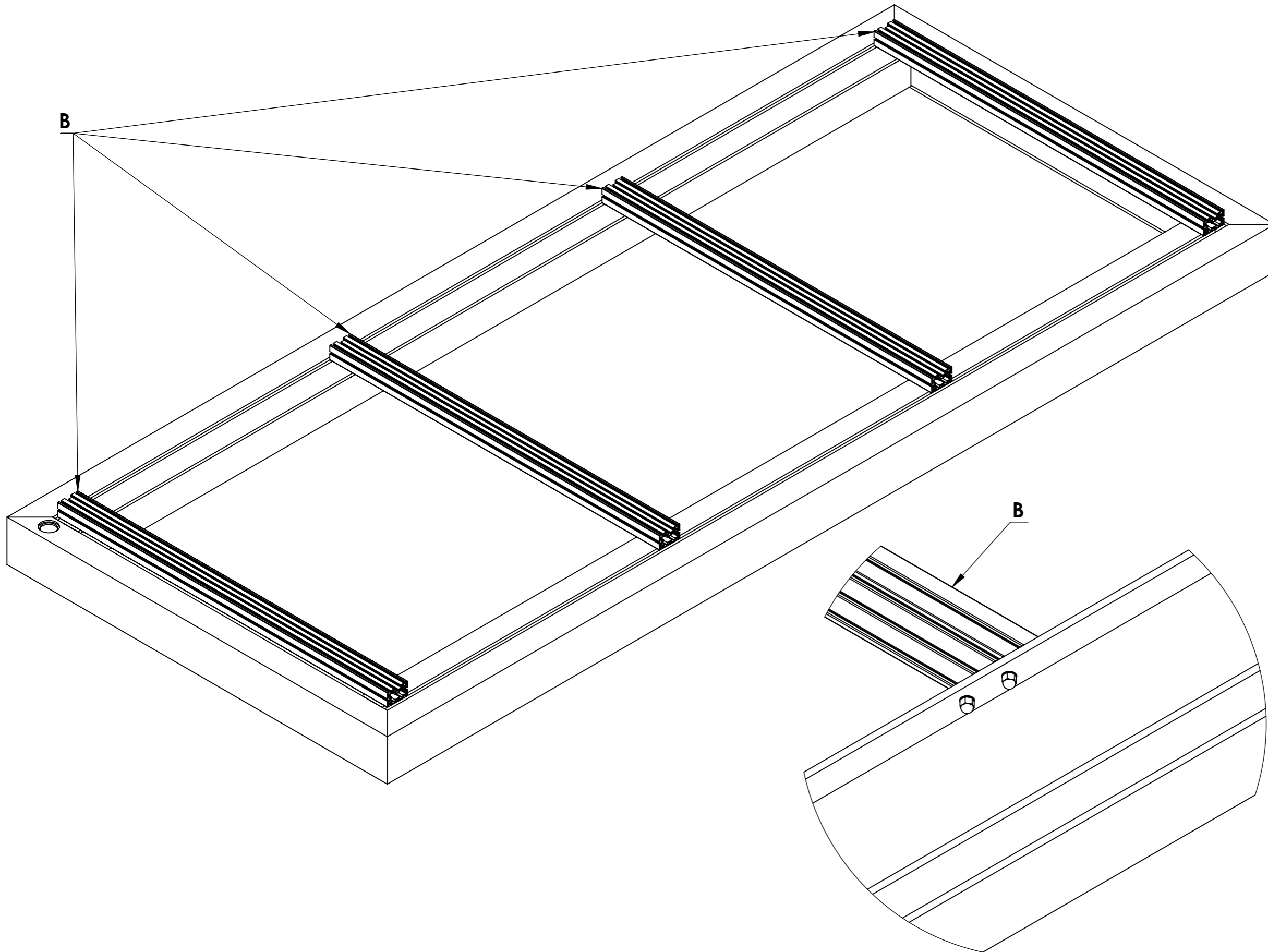
Product:
AliPave Profile

Date 20-09-20	Page Size A3 (L)	Scale DNS	Drawn Shyam
Issuer MIL	Sequence 000001	(Tol) +/- 1mm	Rev V1
If in any doubt about details on this drawing call us on 01622 235 672		Finish PPC	Page 3 of 11



Notes.
Example AliPave paving support system

Step 1 : If steel framework does not have 50mm raised bearers, install AliDeck Low Joists as shown below (no more than 1000mm apart)



Customer Sign Off.

Sign _____

Date _____

Record Of Revision Changes.

1. Creation of drawing (V1)

Colour; Mill Finish

Delivery and Storage.

Store all components flat. Do not store good in direct sunlight. Do not store components, extrusions or joists standing upright.

Product Details:

Length: 4 meters & 6 meters
Width: 150mm
Depth: 27mm
Allowable Span: 1000mm on 1.5kN load



From

This drawing and the product it displays is the sole property of The Milwood Group & Alideck any reproduction of this drawing or product without the written permission of The Milwood Group & Alideck is prohibited.



Drawing Title:

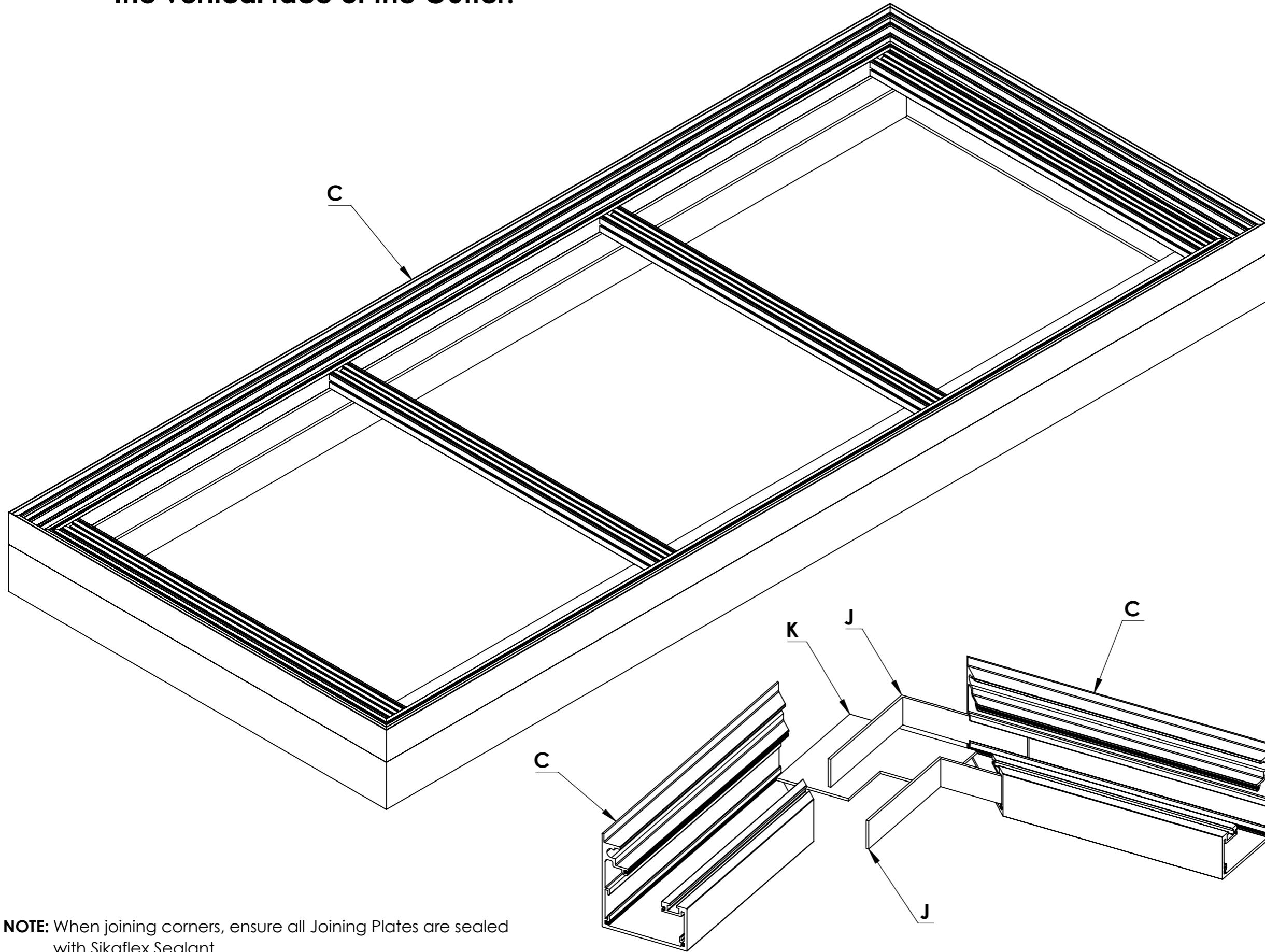
(Alideck) - (AliPave With Spacer Plate, Low Joist & Access Gutter) - (Installation Guide)

Product:

AliPave Profile

Date	Page Size	Scale	Drawn
20-09-20	A3 (L)	DNS	Shyam
Issuer	Sequence	(Tol)	Rev
MIL	000001	+/- 1mm	V1
If in any doubt about details on this drawing call us on 01622 235 672		Finish	Page
		PPC	4 of 11

Step 2 : First, Cut AliPave Gutter to length and mitre corners. Insert drainage outlet spigot at desired point (having taken into account matching to a downpipe through the steelwork). Install AliPave Gutter to steel framework. Fix each Joining Plate 1 through the vertical face of the Gutter.



NOTE: When joining corners, ensure all Joining Plates are sealed with Sikaflex Sealant.

Notes.
Example AliPave paving support system

Customer Sign Off.

Sign _____

Date _____

Record Of Revision Changes.

1. Creation of drawing (V1)

Colour; Mill Finish

Delivery and Storage.

Store all components flat. Do not store good in direct sunlight. Do not store components, extrusions or joists standing upright.

Product Details:

Length: 4 meters & 6 meters
Width: 150mm
Depth: 27mm
Allowable Span: 1000mm on 1.5kN load



From

This drawing and the product it displays is the sole property of The Milwood Group & Alideck any reproduction of this drawing or product without the written permission of The Milwood Group & Alideck is prohibited.



Drawing Title:

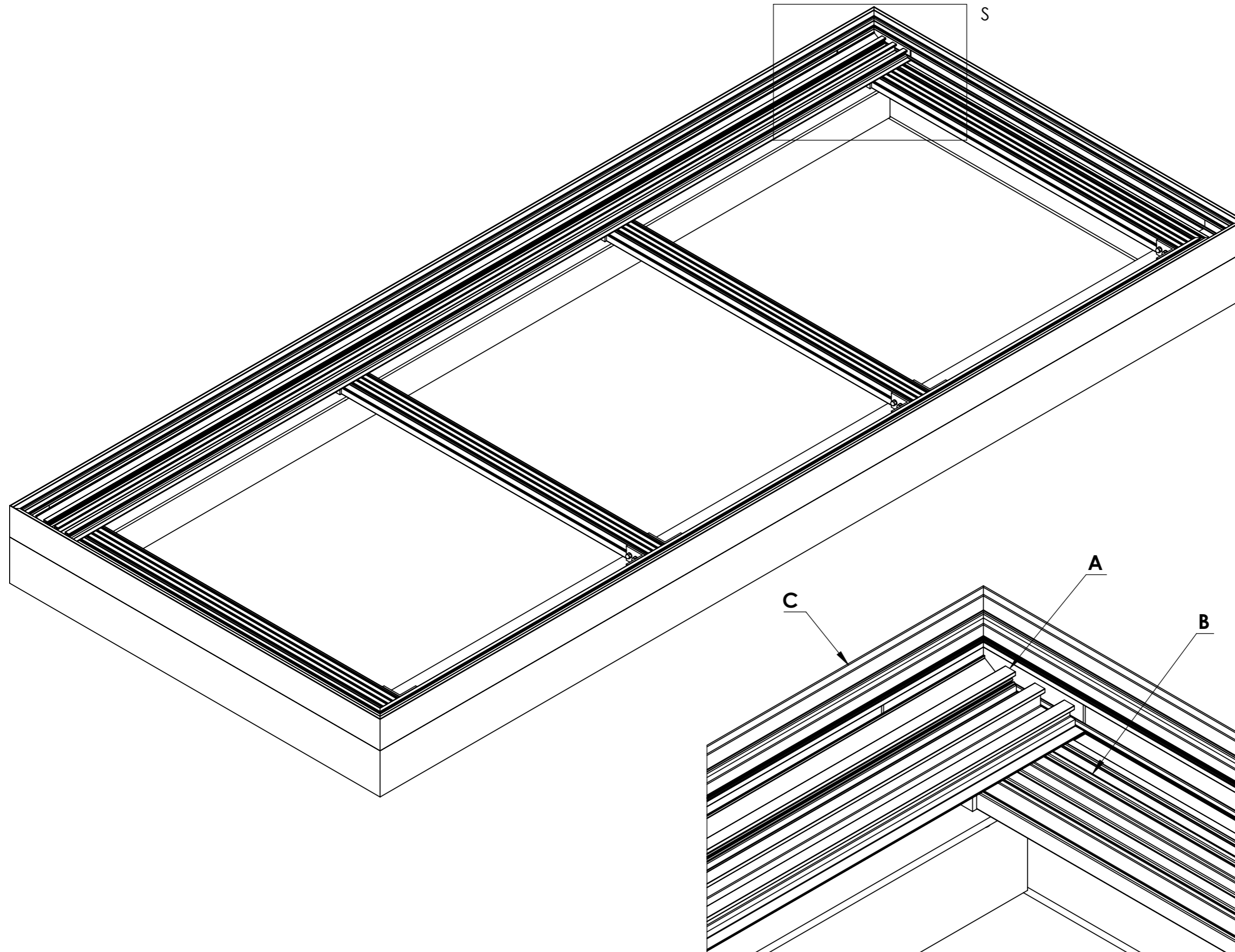
(Alideck) - (AliPave With Spacer Plate, Low Joist & Access Gutter) - (Installation Guide)

Product:

AliPave Profile

Date	Page Size	Scale	Drawn
20-09-20	A3 (L)	DNS	Shyam
Issuer	Sequence	(Tol)	Rev
MIL	000001	+/- 1mm	V1
If in any doubt about details on this drawing call us on 01622 235 672		Finish	Page
	3rd Angle Projection	PPC	5 of 11

Step 3 : Install first AliPave profile section using M8 Bolts as shown.



NOTE: Ensure AliPave profile is set 55mm from the outside edge of the Gutter to allow space for the hinged Access Gutter Cover.

DETAIL S

Notes.
Example AliPave paving support system

Customer Sign Off.

Sign _____

Date _____

Record Of Revision Changes.

- Creation of drawing (V1)

Colour; Mill Finish

Delivery and Storage.

Store all components flat. Do not store good in direct sunlight. Do not store components, extrusions or joists standing upright.

Product Details:

Length: 4 meters & 6 meters
Width: 150mm
Depth: 27mm
Allowable Span: 1000mm on 1.5kN load



From

This drawing and the product it displays is the sole property of The Milwood Group & Alideck any reproduction of this drawing or product without the written permission of The Milwood Group & Alideck is prohibited.



Drawing Title:

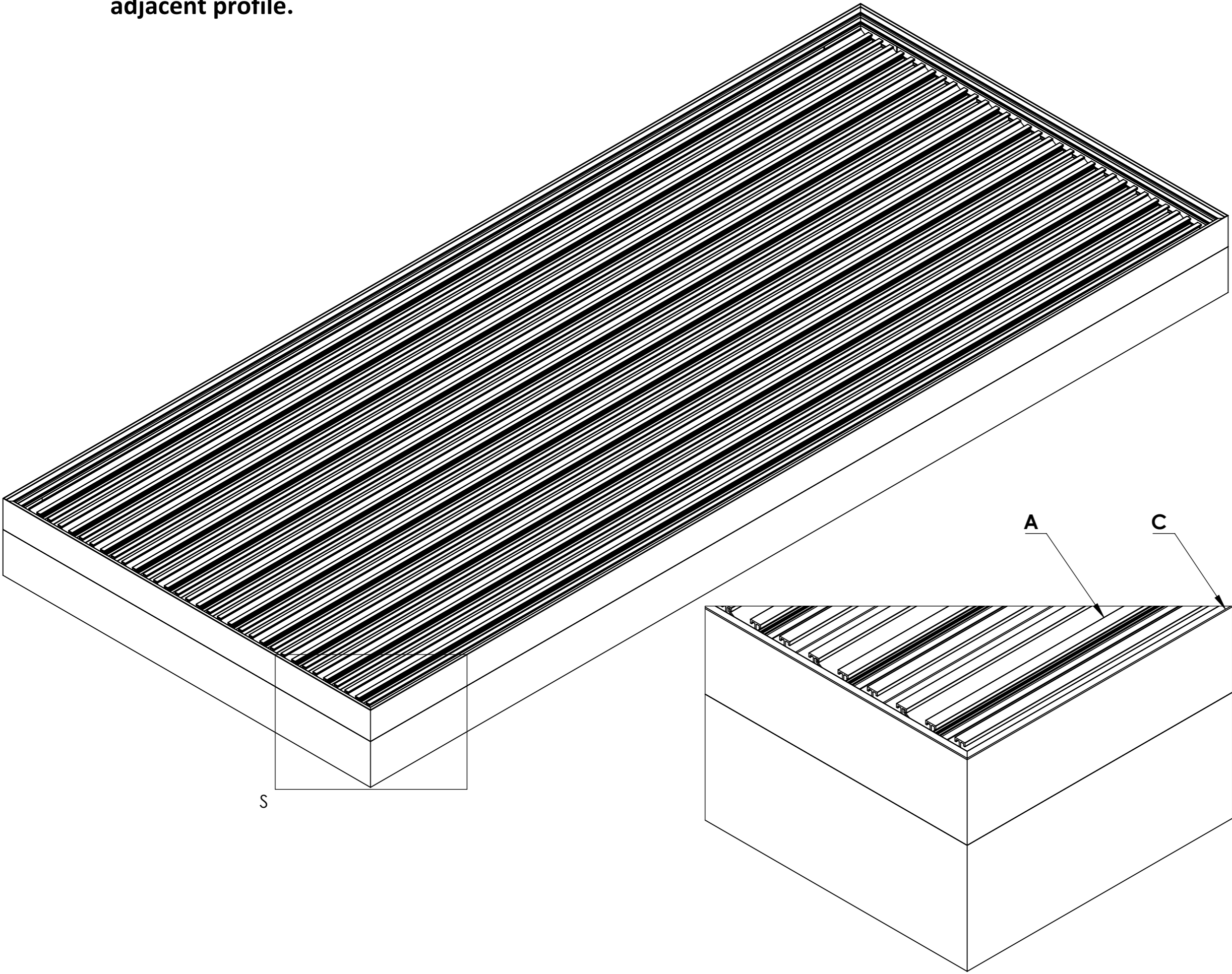
(Alideck) - (AliPave With Spacer Plate, Low Joist & Access Gutter) - (Installation Guide)

Product:

AliPave Profile

Date	Page Size	Scale	Drawn
20-09-20	A3 (L)	DNS	Shyam
Issuer	Sequence	(Tol)	Rev
MIL	000001	+/- 1mm	V1
If in any doubt about details on this drawing call us on 01622 235 672		Finish	Page
	3rd Angle Projection	PPC	6 of 11

Step 4 : Repeat with subsequent AliPave profiles, ensuring the top lip is firmly interlocked into the adjacent profile.



DETAIL S

Notes.
Example AliPave paving support system

Customer Sign Off.
Sign _____
Date _____

Record Of Revision Changes.
1. Creation of drawing (V1)

Colour; Mill Finish

Delivery and Storage.
Store all components flat. Do not store good in direct sunlight. Do not store components, extrusions or joists standing upright.

Product Details:
Length: 4 meters & 6 meters
Width: 150mm
Depth: 27mm
Allowable Span: 1000mm on 1.5kN load



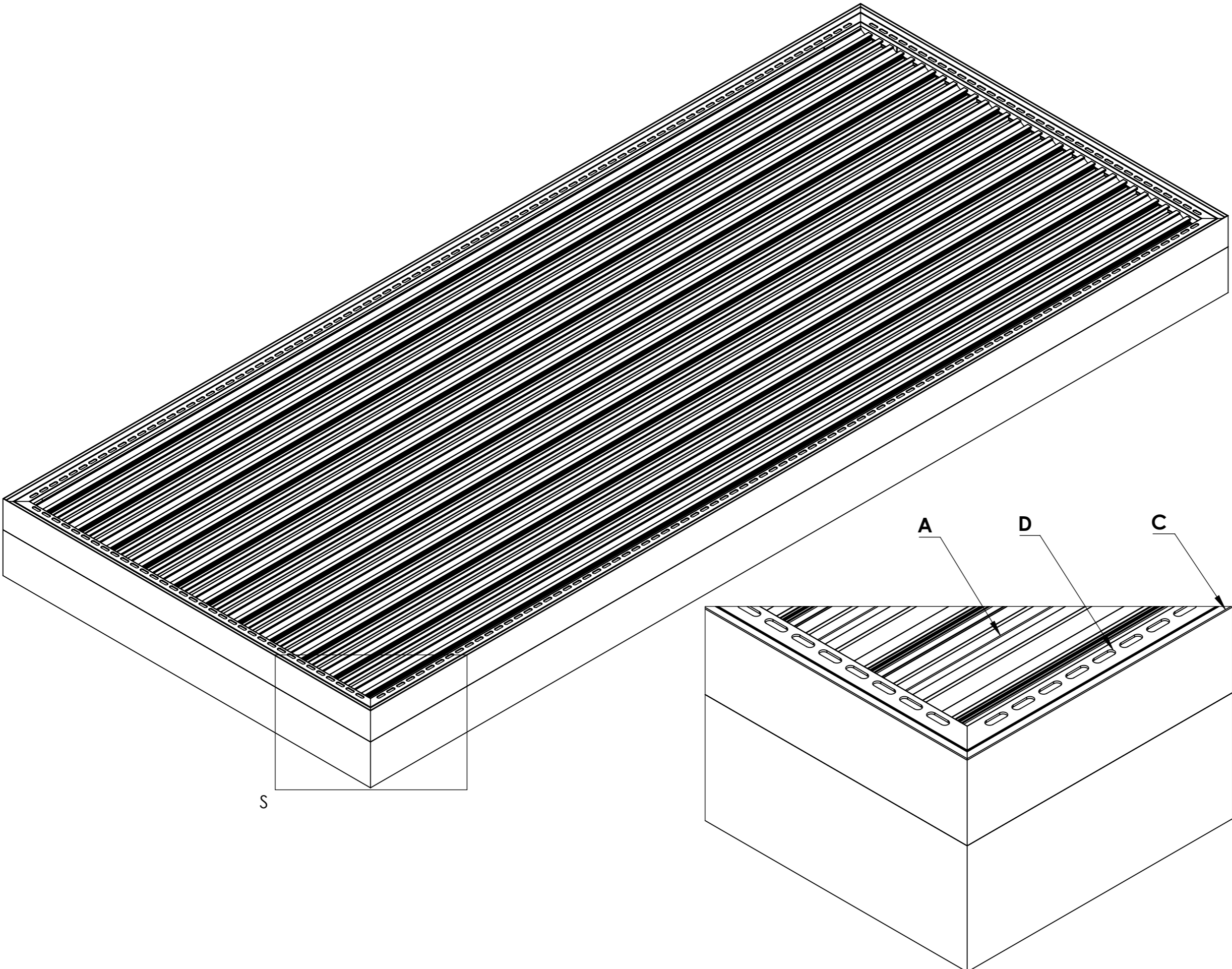
This drawing and the product it displays is the sole property of The Milwood Group & Alideck any reproduction of this drawing or product without the written permission of The Milwood Group & Alideck is prohibited.

Drawing Title:
(Alideck) - (AliPave With Spacer Plate, Low Joist & Access Gutter) - (Installation Guide)

Product:
AliPave Profile

Date 20-09-20	Page Size A3 (L)	Scale DNS	Drawn Shyam
Issuer MIL	Sequence 000001	(Tol) +/- 1mm	Rev V1
If in any doubt about details on this drawing call us on 01622 235 672		Finish PPC	Page 7 of 11

Step 5 : Cut Gutter Access Cover to length and mitre. Install to Gutter.



Notes.
Example AliPave paving support system

Customer Sign Off.
Sign _____
Date _____

Record Of Revision Changes.
1. Creation of drawing (V1)

Colour; Mill Finish

Delivery and Storage.
Store all components flat. Do not store good in direct sunlight. Do not store components, extrusions or joists standing upright.

Product Details:
Length: 4 meters & 6 meters
Width: 150mm
Depth: 27mm
Allowable Span: 1000mm on 1.5kN load



From
This drawing and the product it displays is the sole property of The Milwood Group & Alideck any reproduction of this drawing or product without the written permission of The Milwood Group & Alideck is prohibited.



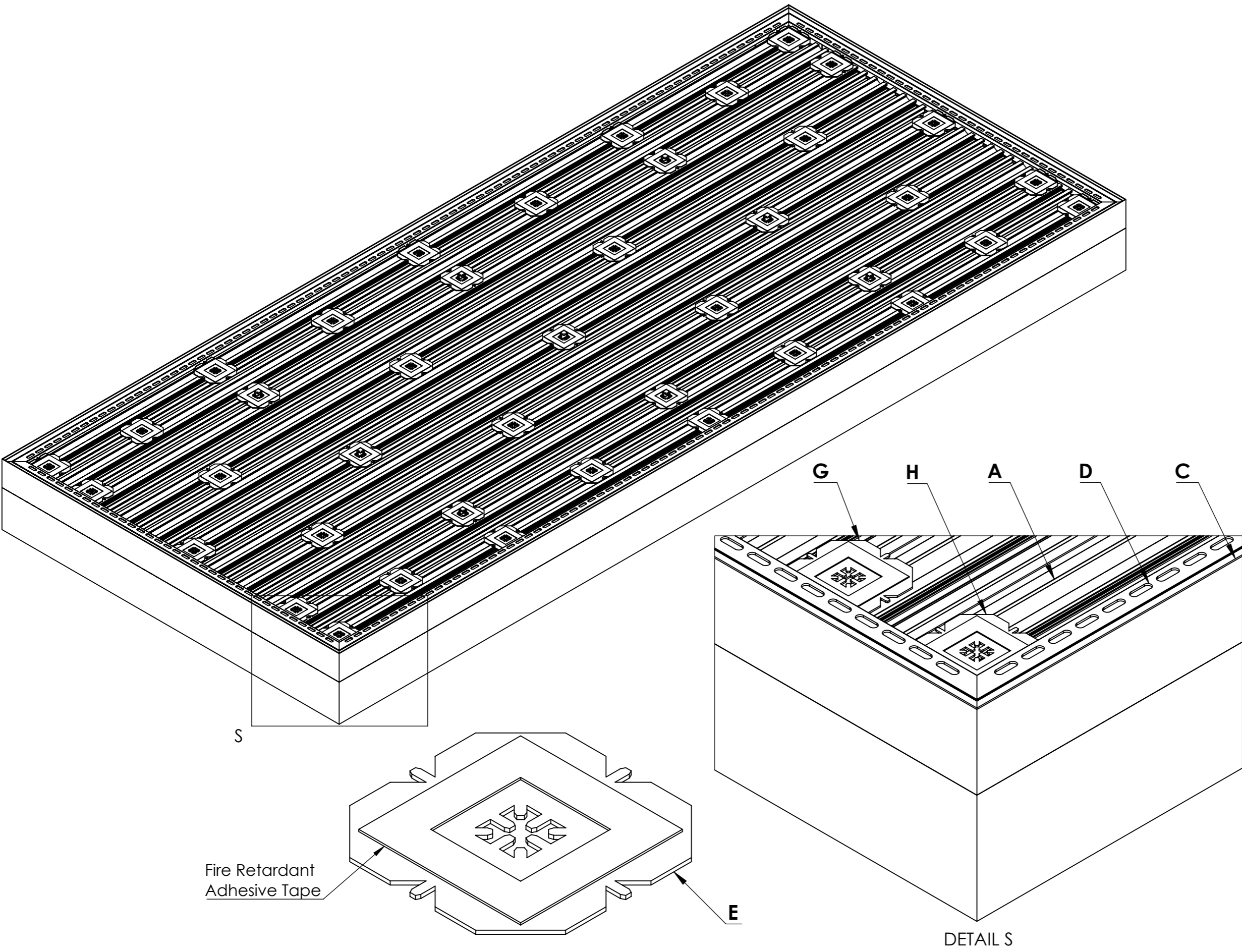
Drawing Title:
(Alideck) - (AliPave With Spacer Plate, Low Joist & Access Gutter) - (Installation Guide)

Product:
AliPave Profile

Date 20-09-20	Page Size A3 (L)	Scale DNS	Drawn Shyam
Issuer MIL	Sequence 000001	(Tol) +/- 1mm	Rev V1
If in any doubt about details on this drawing call us on 01622 235 672		Finish PPC	Page 8 of 11

DETAIL S

Step 6 : Attach Fire Retardant Adhesive Tape Tabs to both side of Spacer Plates.
 Place Spacer Plates in desired location on AliPave profiles to align with corners and centres of 20mm porcelain or granite slabs/tiles.



Notes.
 Example AliPave paving support system

Customer Sign Off.
 Sign _____
 Date _____

Record Of Revision Changes.
 1. Creation of drawing (V1)

Colour; Mill Finish

Delivery and Storage.
 Store all components flat. Do not store good in direct sunlight. Do not store components, extrusions or joists standing upright.

Product Details:
 Length: 4 meters & 6 meters
 Width: 150mm
 Depth: 27mm
 Allowable Span: 1000mm on 1.5kN load



From
 This drawing and the product it displays is the sole property of The Milwood Group & Alideck any reproduction of this drawing or product without the written permission of The Milwood Group & Alideck is prohibited.

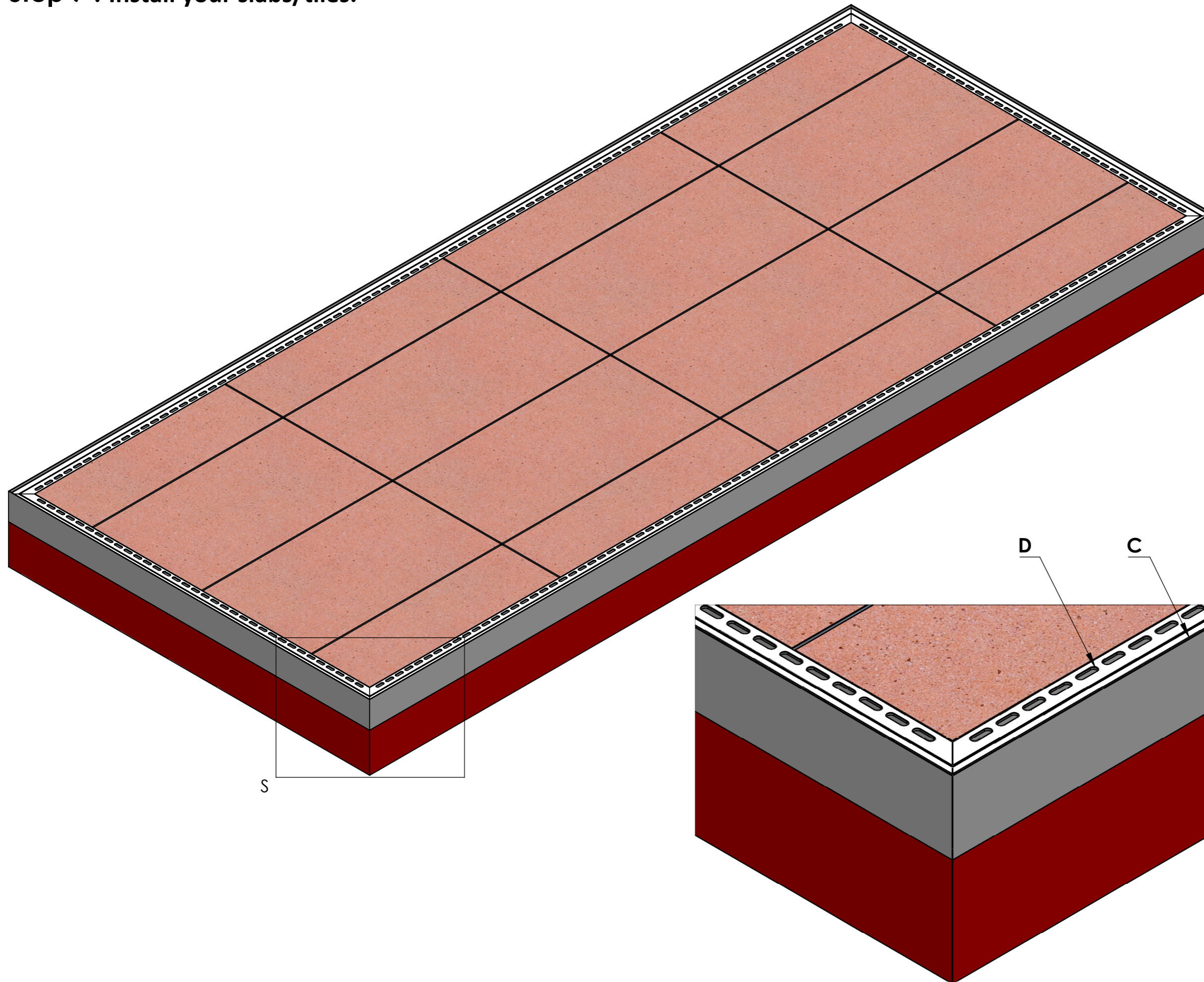


Drawing Title:
 (Alideck) - (AliPave With Spacer Plate, Low Joist & Access Gutter) - (Installation Guide)

Product:
 AliPave Profile

Date 20-09-20	Page Size A3 (L)	Scale DNS	Drawn Shyam
Issuer MIL	Sequence 000001	(Tol) +/- 1mm	Rev V1
If in any doubt about details on this drawing call us on 01622 235 672		Finish PPC	Page 9 of 11

Step 7 : Install your slabs/tiles.



Notes.
Example AliPave paving support system

Customer Sign Off.
Sign _____
Date _____

Record Of Revision Changes.
1. Creation of drawing (V1)

Colour; Mill Finish

Delivery and Storage.
Store all components flat. Do not store good in direct sunlight. Do not store components, extrusions or joists standing upright.

Product Details:
Length: 4 meters & 6 meters
Width: 150mm
Depth: 27mm
Allowable Span: 1000mm on 1.5kN load



From
This drawing and the product it displays is the sole property of The Milwood Group & Alideck any reproduction of this drawing or product without the written permission of The Milwood Group & Alideck is prohibited.



Drawing Title:
(Alideck) - (AliPave With Spacer Plate, Low Joist & Access Gutter) - (Installation Guide)

Product:
AliPave Profile

Date 20-09-20	Page Size A3 (L)	Scale DNS	Drawn Shyam
Issuer MIL	Sequence 000001	(Tol) +/- 1mm	Rev V1
If in any doubt about details on this drawing call us on 01622 235 672		Finish PPC	Page 10 of 11

DETAIL S

(Alideck) - (AliPave With Spacer Plate, Low Joist & Access Gutter) - (Installation Guide)

Notes.
Example AliPave paving support system

Customer Sign Off.

Sign _____

Date _____

Record Of Revision Changes.

- Creation of drawing (V1)

Colour; Mill Finish

Delivery and Storage.
Store all components flat. Do not store good in direct sunlight. Do not store components, extrusions or joists standing upright.

Product Details:
Length: 4 meters & 6 meters
Width: 150mm
Depth: 27mm
Allowable Span: 1000mm on 1.5kN load



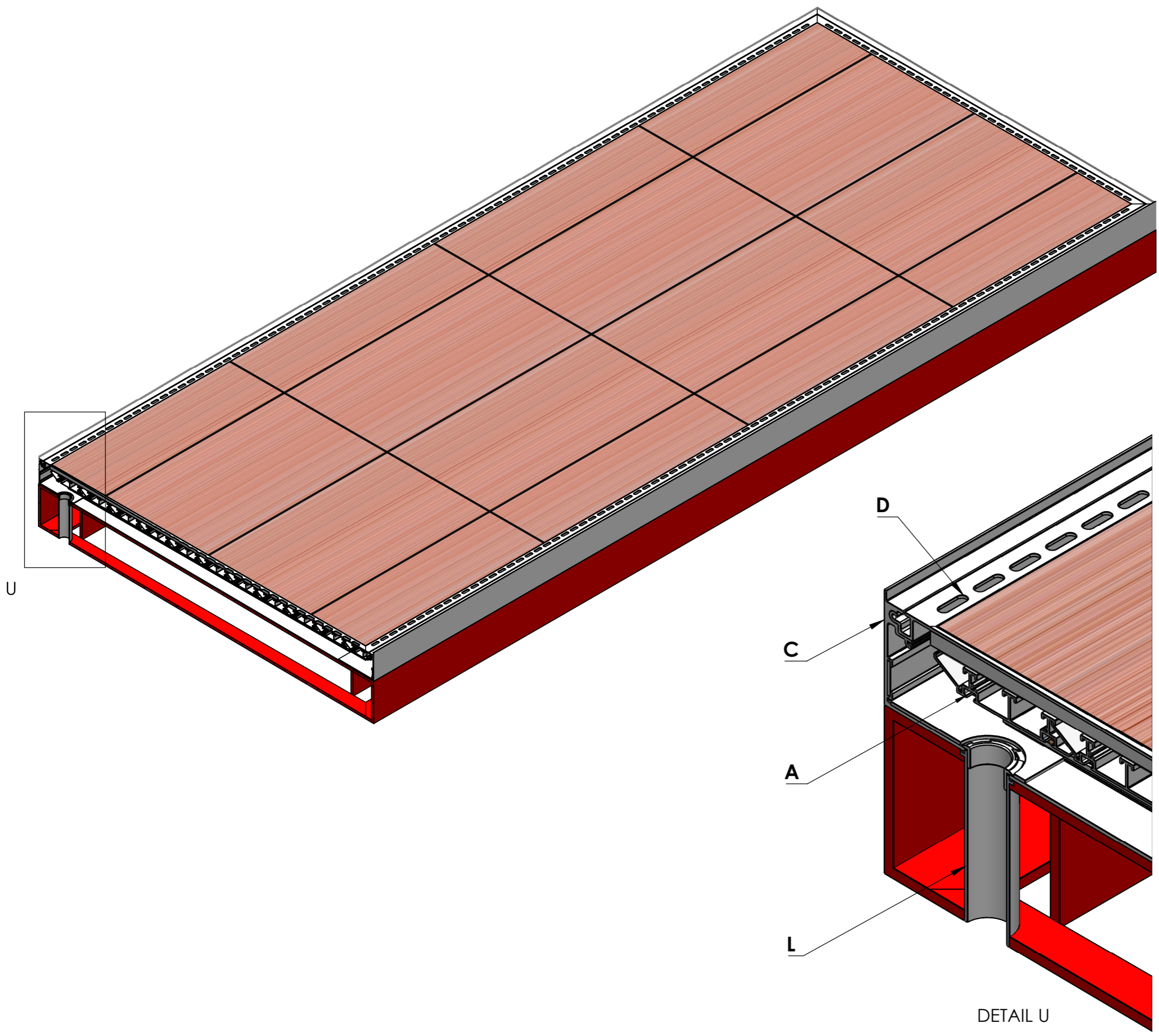
From
This drawing and the product it displays is the sole property of The Milwood Group & Alideck any reproduction of this drawing or product without the written permission of The Milwood Group & Alideck is prohibited.



Drawing Title:
(Alideck) - (AliPave With Spacer Plate, Low Joist & Access Gutter) - (Installation Guide)

Product:
AliPave Profile

Date 20-09-20	Page Size A3 (L)	Scale DNS	Drawn Shyam
Issuer MIL	Sequence 000001	(Tol) +/- 1mm	Rev V1
If in any doubt about details on this drawing call us on 01622 235 672		Finish PPC	Page 11 of 11



DETAIL U