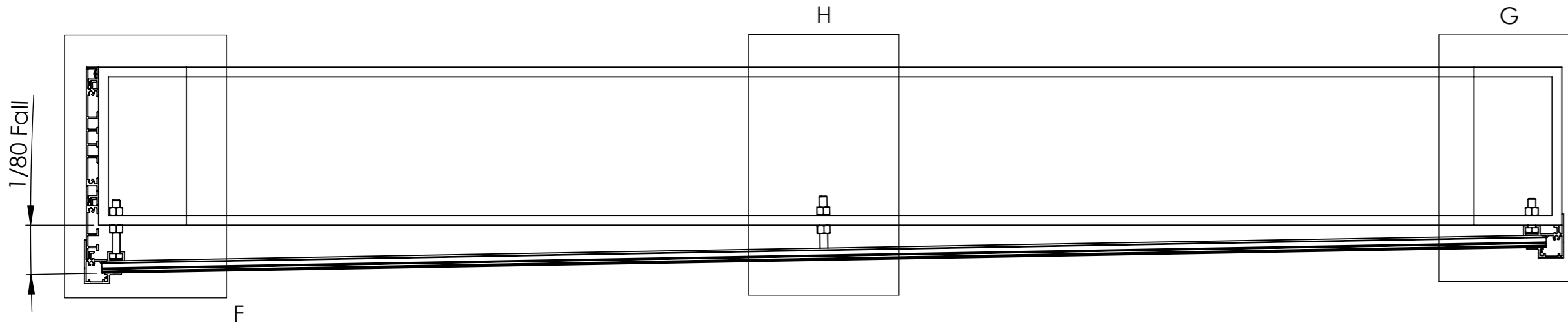


(AliClad Flow) - (Cross Section Drawing)

Notes.
Example sections of AliClad



Customer Sign Off.

Sign _____

Date _____

Record Of Revision Changes.

1. Creation of drawing (V1)

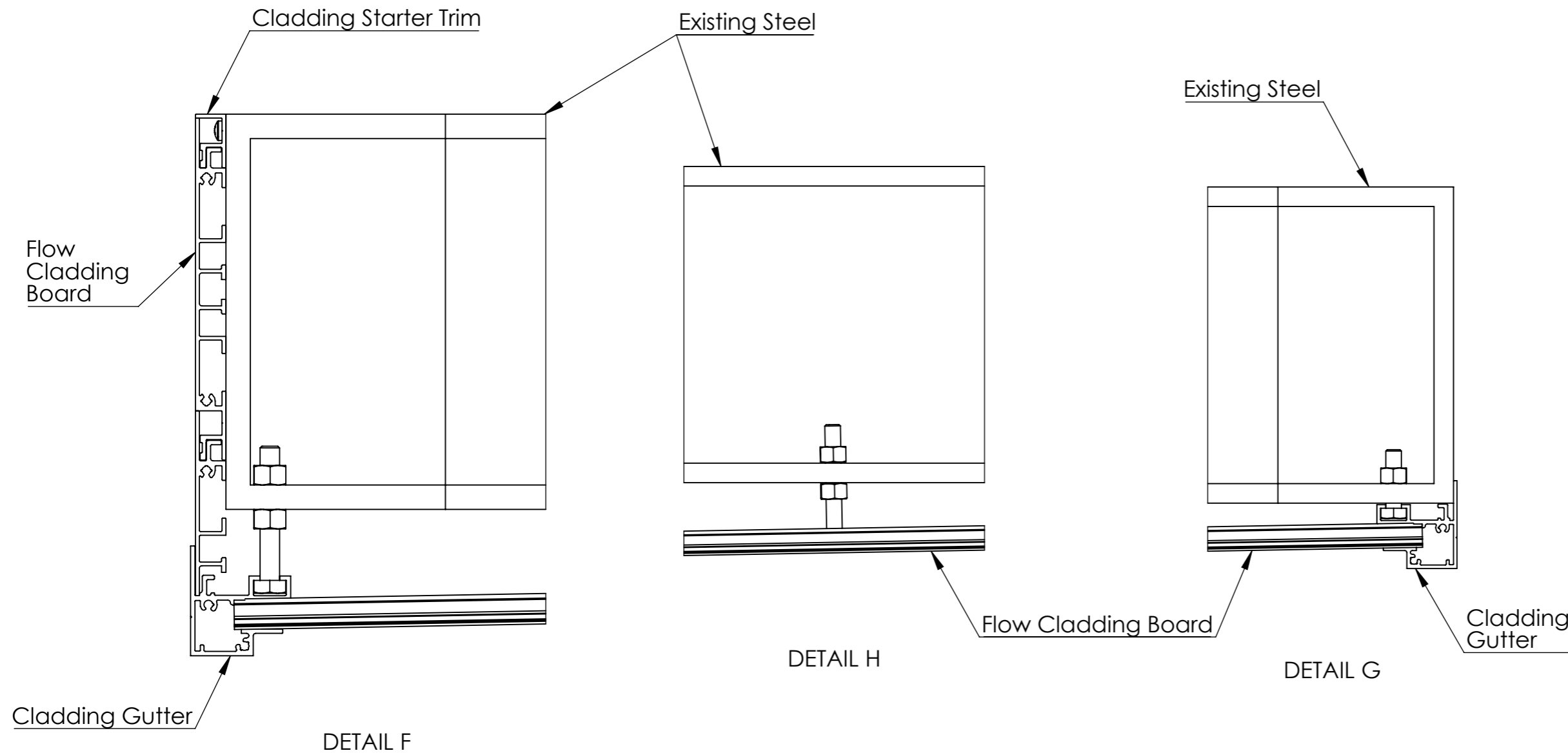
Colour; Any Standard RAL Colour

Delivery and Storage.

When components are delivered please ensure they are inspected and stored flat, also please ensure they are stored out of the sun. Do not store components upright.

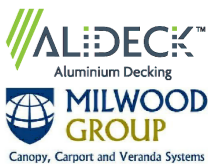
Product Details:

Flow Cladding Board, Cladding Gutter, Cladding Starter Trim & Angle Trim



From

This drawing and the product it displays is the sole property of The Milwood Group & Alideck any reproduction of this drawing or product without the written permission of The Milwood Group & Alideck is prohibited.



Drawing Title:

(AliClad Flow) - (Cross Section Drawing)

Product:

AliClad Flow

Date	Page Size	Scale	Drawn
24-09-20	A3 (L)	DNS	Shyam
Issuer	Sequence	(Tol)	Rev
MIL	000001	+/- 1mm	V1
If in any doubt about details on this drawing call us on 01622 235 672		Finish	Page
		PPC	1 of 1