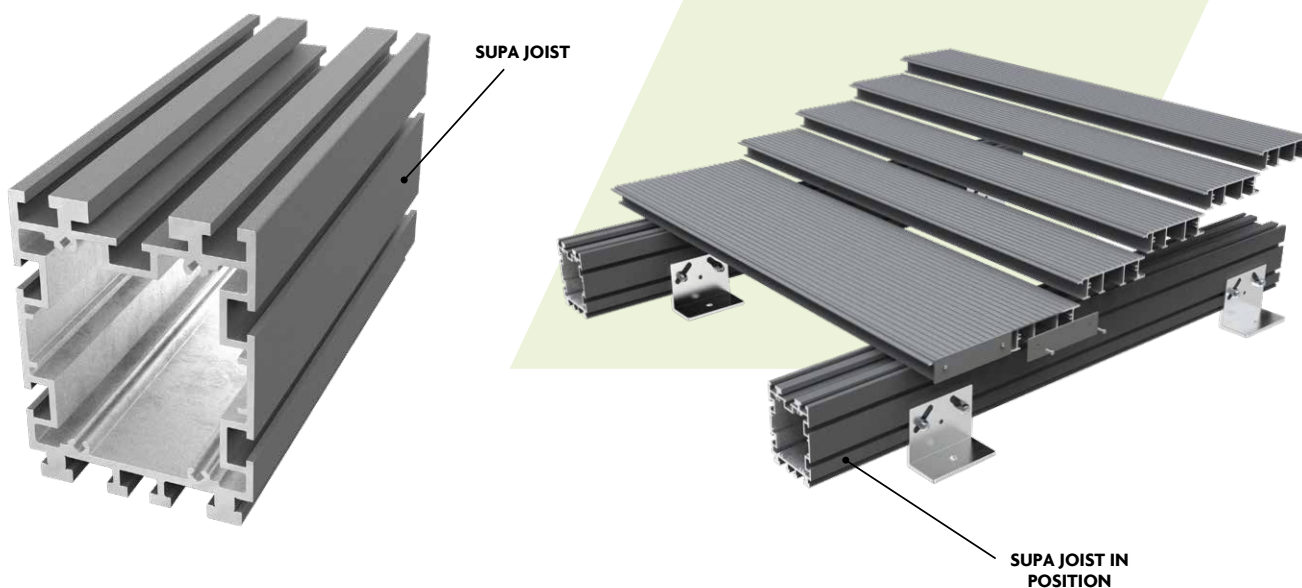


# AliDeck SUPA JOIST

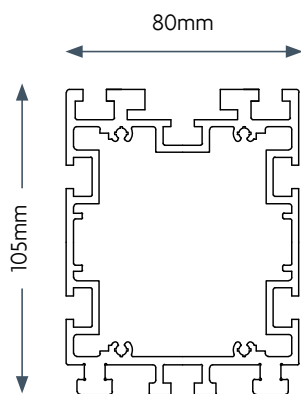
## Specification Datasheet

The **AliDeck Supa-Joist** is an integral part of the AliDeck System! This clever extrusion is designed to act as both a support post and big span joist.

The connection plates allow for super fast installation and can be adjusted to suit most applications and conditions. It has also been designed to be connected together to give additional strength for applications where larger spans are required.



### Dimensions



### Benefits include:

- Increased span capabilities against timber or composite
- Also available in mill finish
- Increased spans by over 300%
- All aluminium
- Quick and easy to install
- Low maintenance
- Recyclable
- Stable in all weather conditions

The Supa Joist is 4.93 Kg per metre

Rochester Airport Trading Estate  
27 Laker Road  
Rochester  
Kent ME1 3QX

Tel: 01622 235 672  
Email: [info@alideck.co.uk](mailto:info@alideck.co.uk)  
[www.alideck.co.uk](http://www.alideck.co.uk)

 **ALIDECK**™  
Aluminium Decking

## Decking Joist Spans

All of our spanning criteria has been based on the standards of EN 1991-1-1:2002 “Actions on Structures”.

### Supa Joist span capabilities:

The Supa Joist can span a maximum of 3 metres between pedestals on a 4kN Loading.

## Colour Options

AliDeck Boards and Joists are available in our full range of standard colours. Please refer to our Standard Colour Range datasheet for colour options (available at [www.alideck.co.uk/downloads](http://www.alideck.co.uk/downloads)).

Non-standard colours are available on request as special orders, but may affect cost and lead-time. The Boards and Joists can be supplied non-coated/mill finish to achieve A1 fire rating.



## Warranty

The Supa Joist is supplied with a **30 year warranty** against splitting, cracking, warping, splintering, rotting, twisting and material or manufacturing defects. It has a minimum **60 year life expectancy**.



**INCREASED SPAN CAPABILITIES AGAINST TIMBER OR COMPOSITE OPTIONS BY OVER 300%**



**ALL ALUMINIUM**



**QUICK AND EASY TO INSTALL**



**COLOUR MATCHED TO THE DECK BOARDS**



**LOW MAINTENANCE**



**RECYCLABLE**



**STABLE IN ALL WEATHER CONDITIONS**

Rochester Airport Trading Estate  
27 Laker Road  
Rochester  
Kent ME1 3QX

Tel: 01622 235 672  
Email: [info@alideck.co.uk](mailto:info@alideck.co.uk)  
[www.alideck.co.uk](http://www.alideck.co.uk)

 **ALiDECK**™  
Aluminium Decking