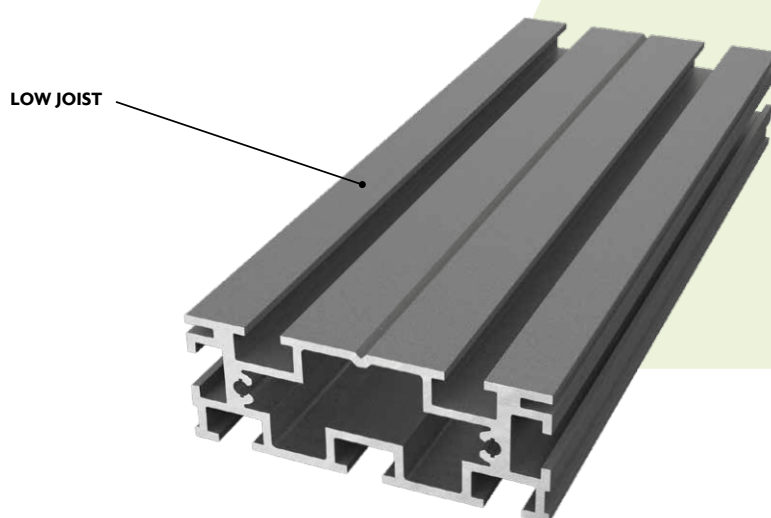


AliDeck LITE JOIST

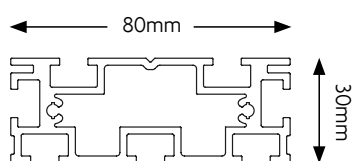
Specification Datasheet

The **AliDeck Lite Joist** is an integral part of the AliDeck system! This extrusion has been designed for installations where you have a very low threshold situation, if you require a minimum build up height of 50mm or above this is the perfect solution (when used with our 20mm range of boards) This joist can be used with either our adjustable pedestal brackets or our multi-directional adjustable pedestals for complete height adjustment.



A2-s1, d0
A2fl-s1
FIRE
RATED

Dimensions



Benefits include:

- Increased span capabilities against timber or composite
- Increased spans by over 200%
- Fire Rated: A2-s1, d0 and A2fl-s1
- All aluminium
- Quick and easy to install
- Low maintenance
- Recyclable
- Stable in all weather conditions

The Low Joist is 1.926 Kg per metre

Rochester Airport Trading Estate
27 Laker Road
Rochester
Kent ME1 3QX

Tel: 01622 235 672
Email: info@alideck.co.uk
www.alideck.co.uk

 **ALIDECK**™
Aluminium Decking

Decking Joist Spans

All of our spanning criteria has been based on the standards of EN 1991-1-1:2002 “Actions on Structures”.

Lite Joist span capabilities:

The Lite Joist can span a maximum of 800mm between pedestals on a 4kN Loading.

Colour Options

AliDeck Boards and Joists are available in our full range of standard colours. Please refer to our Standard Colour Range datasheet for colour options (available at www.alideck.co.uk/downloads).

Non-standard colours are available on request as special orders, but may affect cost and lead-time. The Boards and Joists can be supplied non-coated/mill finish to achieve A1 fire rating.



Warranty

The Lite Joist is supplied with a **30 year warranty** against splitting, cracking, warping, splintering, rotting, twisting and material or manufacturing defects. It has a minimum **60 year life expectancy**.



INCREASED SPAN CAPABILITIES AGAINST TIMBER OR COMPOSITE OPTIONS BY OVER 300%



ALL ALUMINIUM



QUICK AND EASY TO INSTALL



COLOUR MATCHED TO THE DECK BOARDS



LOW MAINTENANCE



RECYCLABLE



STABLE IN ALL WEATHER CONDITIONS

Rochester Airport Trading Estate
27 Laker Road
Rochester
Kent ME1 3QX

Tel: 01622 235 672
Email: info@alideck.co.uk
www.alideck.co.uk

 **ALIDECK**™
Aluminium Decking