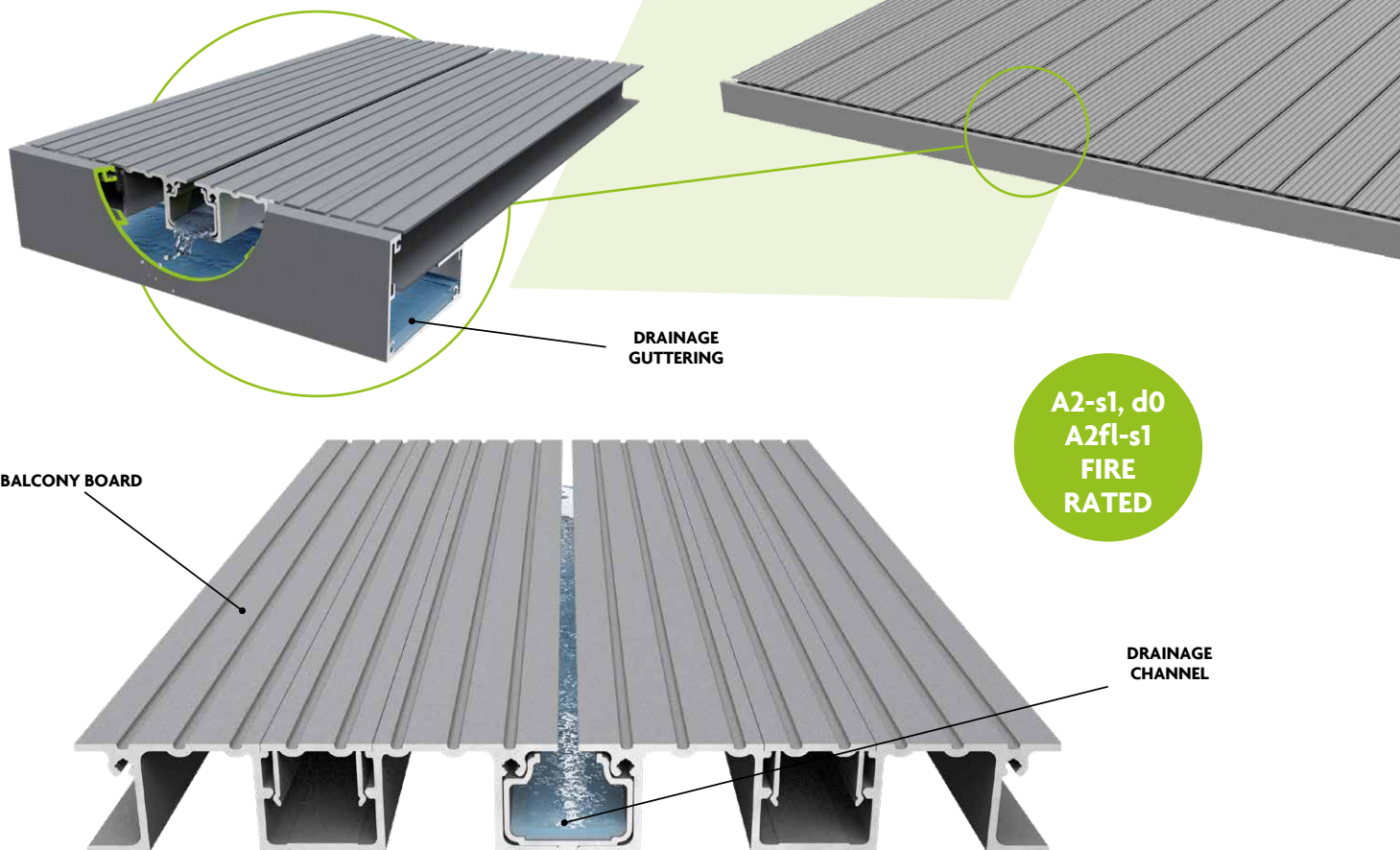


AliDeck

BALCONY DRAINAGE SYSTEM

Specification Datasheet

Specifically designed to aid in drainage from the top surface of balconies, decking platforms and walkways.



This discrete extrusion is installed between the balcony boards to aid with drainage and reduce the flow of water between the boards, available for the 20mm & 30mm balcony boards, it may reduce the need for expensive soffit claddings on balconies.

Rochester Airport Trading Estate
27 Laker Road
Rochester
Kent ME1 3QX

Tel: 01622 235 672
Email: info@alideck.co.uk
www.alideck.co.uk

 **ALIDECK**™
Aluminium Decking

Product Specification

- Fire resistant: A2-s1, d0 and A2fl-s1 when coated
- The weight of the 20mm channel is 0.309 KG and the 30mm channel is 0.392KG per Linear M
- Coating thickness - 60-80 microns
- Impact test - with an energy of 2.5Km to ensure that the coating adheres to the substrate to EN ISO 6272 / ASTM D2794
- Bend test - on 5mm mandrel to ensure adhesion after bending to EN ISO 1519
- Machu Test (accelerated corrosion test) - in a solution made up of sodium chloride acetic acid and hydrogen peroxide at 37degrees C Duration 48 hours
- Qualicoat 2.4.1. - cross hatch cuts are made at 2mm spacings with one being at 90 degrees to the other cut, tape is applied left for 2 minutes and removed to check for adhesion of paint (EN ISO 2409 2013)
- Qualicoat 2.18 - sawing and drilling test to ensure no flaking after cutting (using sharp tools)
- Acid salt spray test - ISO 9227
- EN ISO 3231 - Resistance to humid atmospheres containing Sulphur Dioxide
- EN ISO 11341 - Accelerated weathering test
- EN ISO 20810 - Natural weathering test (Florida Test) (Carried out on Powder Type)
- EN ISO 12206-1 - Resistance to mortar (Carried out on powder type)
- EN ISO 6270 - 2 - Constant climate condensation water test.
- Choice of colour - Available in two colours; Textured Silver Grey & Textured Sand as shown opposite. Other colours are available on request.

Protective Finish

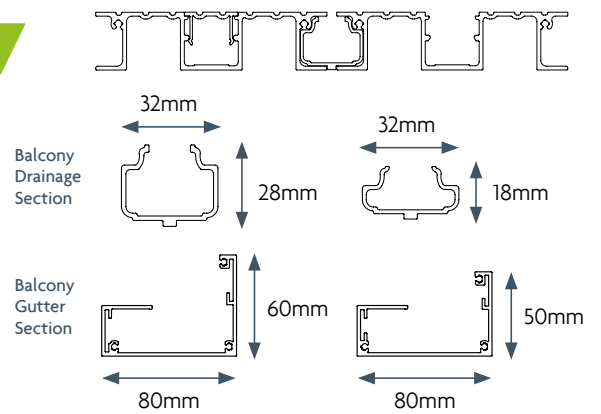
The Channels are coloured using the Qualicoat powder coating finish. Qualicoat is a quality label organisation committed to maintaining and promoting the quality of coating on aluminium and its alloys for architectural applications.

Dimensions

INDIVIDUAL BOARDS:

Length: 6 metres
Width: 32mm
Depth: 18mm (20mm drain)
28mm (30mm drain)

The Drain Channels can easily be cut to length using a chop saw



Construction

The Drainage Channel is constructed completely from 100% aluminium (6063 T6 grade), up to 30% of which has been recycled to make it eco-friendly and much better for the environment.

Maintenance

Due to the fact that Ali-Deck is aluminium and finished using the 5 stage Qualicoat system, little or no maintenance is required.

Colour Options

AliDeck Boards and Joists are available in our full range of standard colours. Please refer to our Standard Colour Range datasheet for colour options (available at www.alideck.co.uk/downloads).

Non-standard colours are available on request as special orders, but may affect cost and lead-time. The Boards and Joists can be supplied non-coated/mill finish to achieve A1 fire rating.



Biological/Chemical

Resistant to moulds, algae, alkali, bitumen.

Warranty

Drainage Channels are supplied with a **30 year warranty** against splitting, cracking, warping, splintering, rotting, twisting and material or manufacturing defects. It has a minimum **60 year life** expectancy.



ALL ALUMINIUM



HEAT RESISTANT



DURABLE TEXTURED FINISH



LOW MAINTENANCE



RECYCLABLE



STABLE IN ALL WEATHER CONDITIONS



A2-s1, d0 & A2fl-s1 FIRE RATED

Rochester Airport Trading Estate
27 Laker Road
Rochester
Kent ME1 3QX

Tel: 01622 235 672
Email: info@alideck.co.uk
www.alideck.co.uk

ALIDECK™
Aluminium Decking