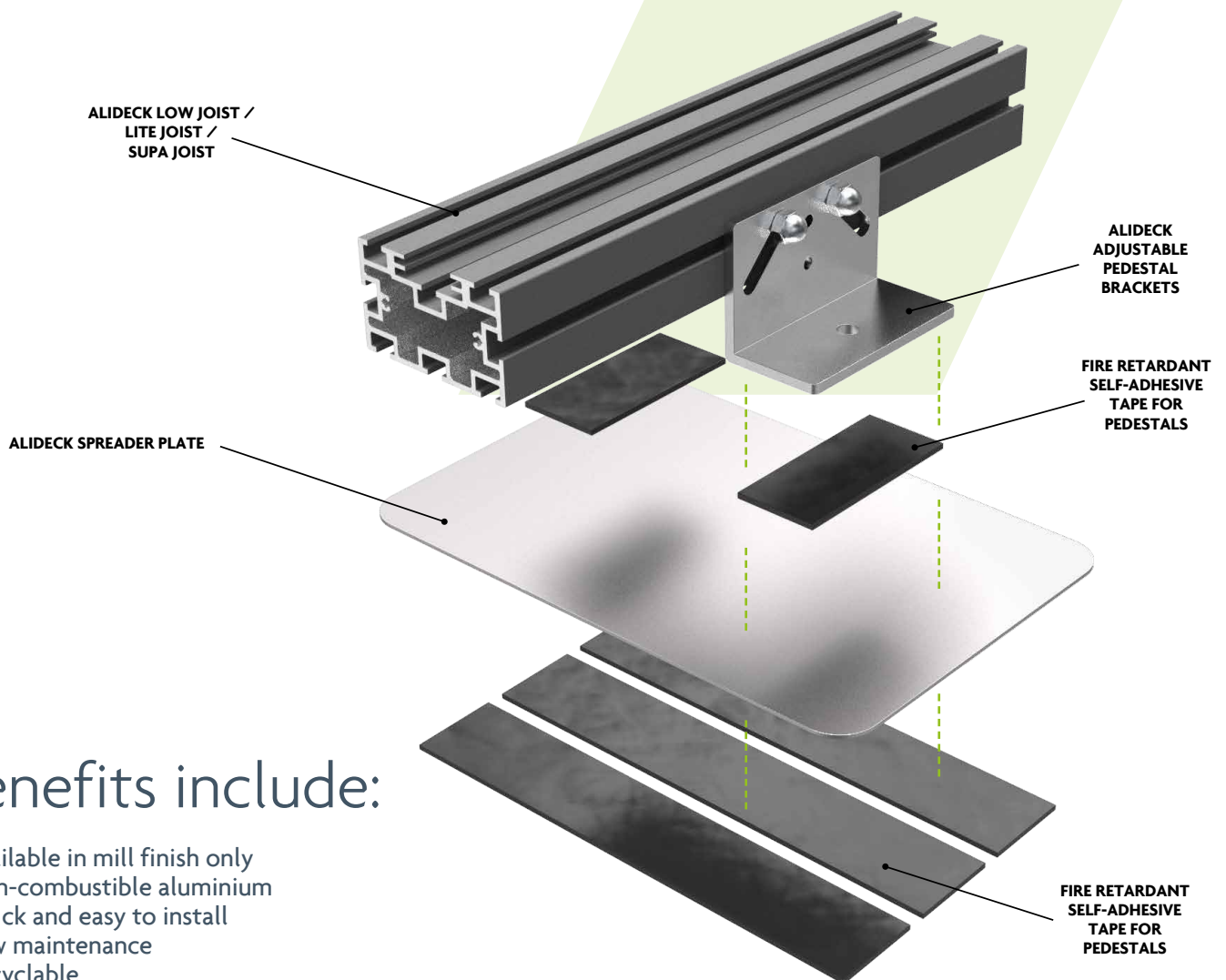


AliDeck SPREADER PLATE

Specification
Datasheet

This simple aluminium plate is used to spread the imposed load of the AliDeck decking system when installing onto waterproof membranes, the plate can be supplied with or without fire retardant double-sided tape to enable you to bond it to the top surface.



Benefits include:

- Available in mill finish only
- Non-combustible aluminium
- Quick and easy to install
- Low maintenance
- Recyclable
- Stable in all weather conditions
- Fire retardant tape

Rochester Airport Trading Estate
27 Laker Road
Rochester
Kent ME1 3QX

Tel: 01622 235 672
Email: info@alideck.co.uk
www.alideck.co.uk

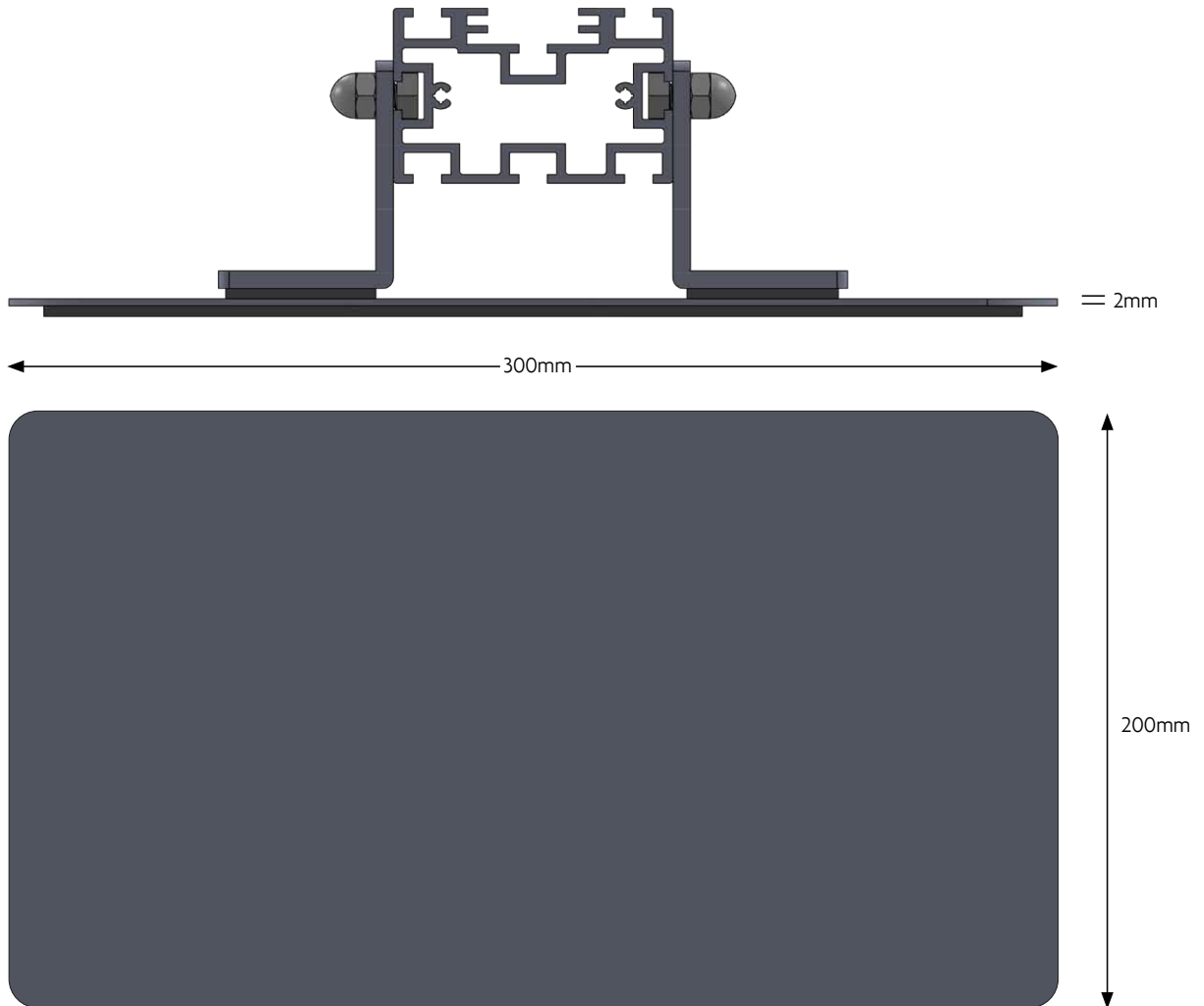
 **ALIDECK**™
Aluminium Decking

Dimensions

The Spreader Plate is 200mm wide x 300mm length x 2mm thick.

Warranty

The Spreader Plate is supplied with a **30 year warranty** against splitting, cracking, warping, splintering, rotting, twisting and material or manufacturing defects. It has a minimum **60 year life expectancy**.



ALL ALUMINIUM



QUICK AND EASY
TO INSTALL



LOW
MAINTENANCE



RECYCLABLE



STABLE IN ALL
WEATHER
CONDITIONS

Rochester Airport Trading Estate
27 Laker Road
Rochester
Kent ME1 3QX

Tel: 01622 235 672
Email: info@alideck.co.uk
www.alideck.co.uk

 **ALIDECK**™
Aluminium Decking