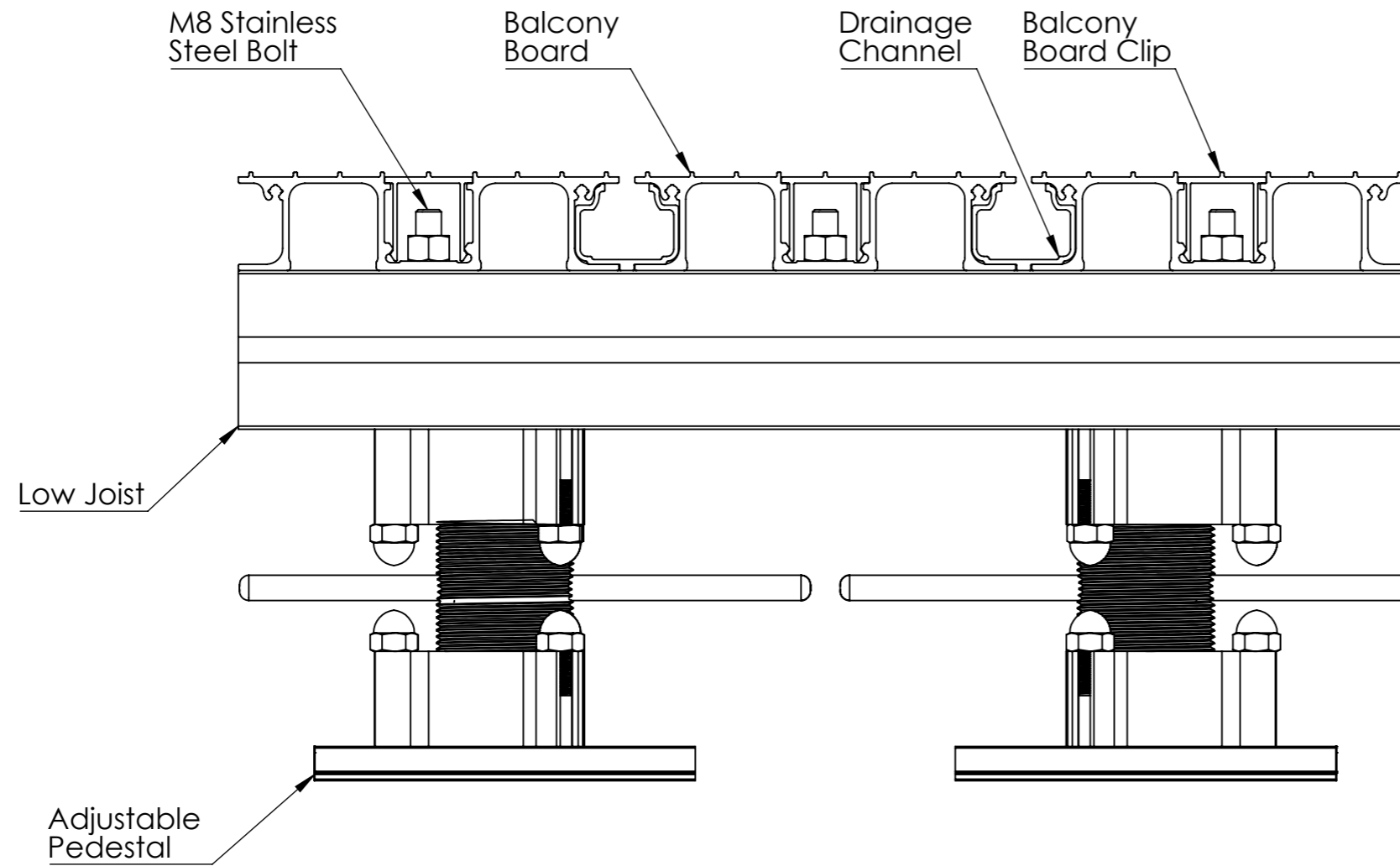


(Alideck) - (Drainage Channel & Gutter Channel Assembly) - (Standard Drawing)



CROSS SECTION VIEW

Notes.

Contractor to be responsible for checking this scheme against architects drawings/site requirements and to advise Alideck immediately of any discrepancies. Orders placed against Alideck drawing reference assume approval of this scheme. Any materials required over and above the quantities given, will be charged accordingly.

Customer Sign Off.

Sign _____

Date _____

Record Of Revision Changes.

1. Creation of drawing (V1)

Colour; Textured Silver Grey/
Textured Sand

Delivery and Storage.

When delivered check that all boards and joists are present. Check whether the boards or joists have suffered any visible damage in transit Damaged panels must be noted on the delivery document and replaced if necessary. The boards and joists are delivered on a pallet (protected) and should also be stored this way on site. Do not store boards or joists standing upright.

Delivery Address



From

This drawing and the product it displays is the sole property of The Milwood Group any reproduction of this drawing or product without the written permission of The Milwood Group is prohibited.




Drawing Title:

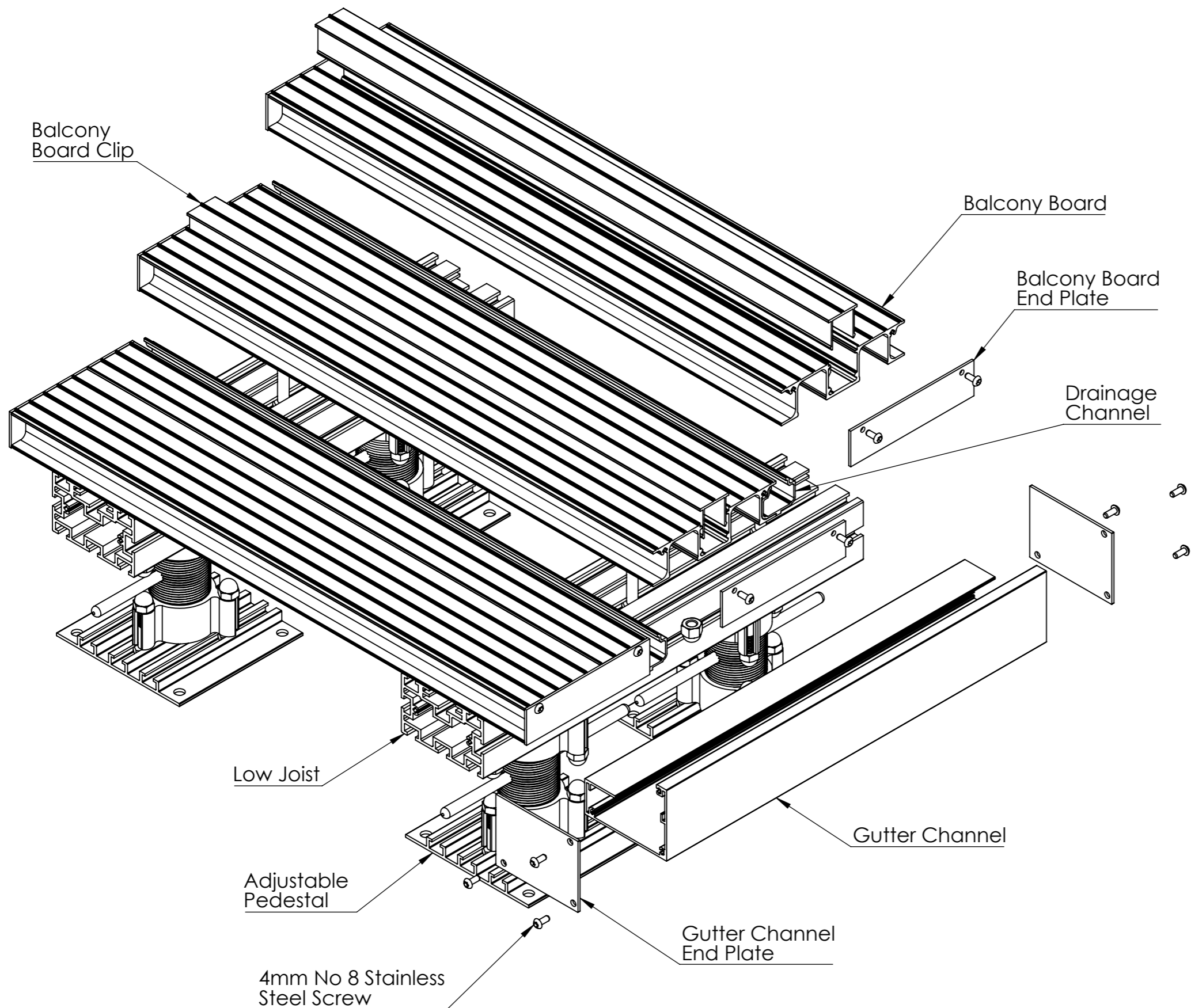
(Alideck)-(Drainage Channel & Gutter Channel Assembly) - (Standard Drawing)

Product:

Drainage Channel & Gutter Channel

Date 25-01-20	Page Size A3 (L)	Scale DNS	Drawn Shyam
Issuer MIL	Sequence 000001	(Tol) +/- 1mm	Rev V1
If in any doubt about details on this drawing call us on 01622 235 672	 3rd Angle Projection	Finish PPC	Page 1 of 3

(Alideck) - (Drainage Channel & Gutter Channel Assembly) - (Standard Drawing)



EXPLODED VIEW

Notes.

Contractor to be responsible for checking this scheme against architects drawings/site requirements and to advise Alideck immediately of any discrepancies. Orders placed against Alideck drawing reference assume approval of this scheme. Any materials required over and above the quantities given, will be charged accordingly.

Customer Sign Off.

Sign _____

Date _____

Record Of Revision Changes.

1. Creation of drawing (V1)

Colour; Textured Silver Grey/
Textured Sand

Delivery and Storage.

When delivered check that all boards and joists are present. Check whether the boards or joists have suffered any visible damage in transit Damaged panels must be noted on the delivery document and replaced if necessary. The boards and joists are delivered on a pallet (protected) and should also be stored this way on site. Do not store boards or joists standing upright.

Delivery Address



From

This drawing and the product it displays is the sole property of The Milwood Group any reproduction of this drawing or product without the written permission of The Milwood Group is prohibited.



Drawing Title:

(Alideck)-(Drainage Channel & Gutter Channel Assembly) - (Standard Drawing)

Product:

Drainage Channel & Gutter Channel

Date	Page Size	Scale	Drawn
25-01-20	A3 (L)	DNS	Shyam
Issuer	Sequence	(Tol)	Rev
MIL	000001	+/- 1mm	V1
If in any doubt about details on this drawing call us on 01622 235 672		Finish	Page
	3rd Angle Projection	PPC	2 of 3

(Alideck) - (Drainage Channel & Gutter Channel Assembly) - (Standard Drawing)

Notes.

Contractor to be responsible for checking this scheme against architects drawings/site requirements and to advise Alideck immediately of any discrepancies. Orders placed against Alideck drawing reference assume approval of this scheme. Any materials required over and above the quantities given, will be charged accordingly.

Customer Sign Off.

Sign _____

Date _____

Record Of Revision Changes.

- Creation of drawing (V1)

Colour; Textured Silver Grey/
Textured Sand

Delivery and Storage.

When delivered check that all boards and joists are present. Check whether the boards or joists have suffered any visible damage in transit Damaged panels must be noted on the delivery document and replaced if necessary. The boards and joists are delivered on a pallet (protected) and should also be stored this way on site. Do not store boards or joists standing upright.

Delivery Address



From

This drawing and the product it displays is the sole property of The Milwood Group any reproduction of this drawing or product without the written permission of The Milwood Group is prohibited.



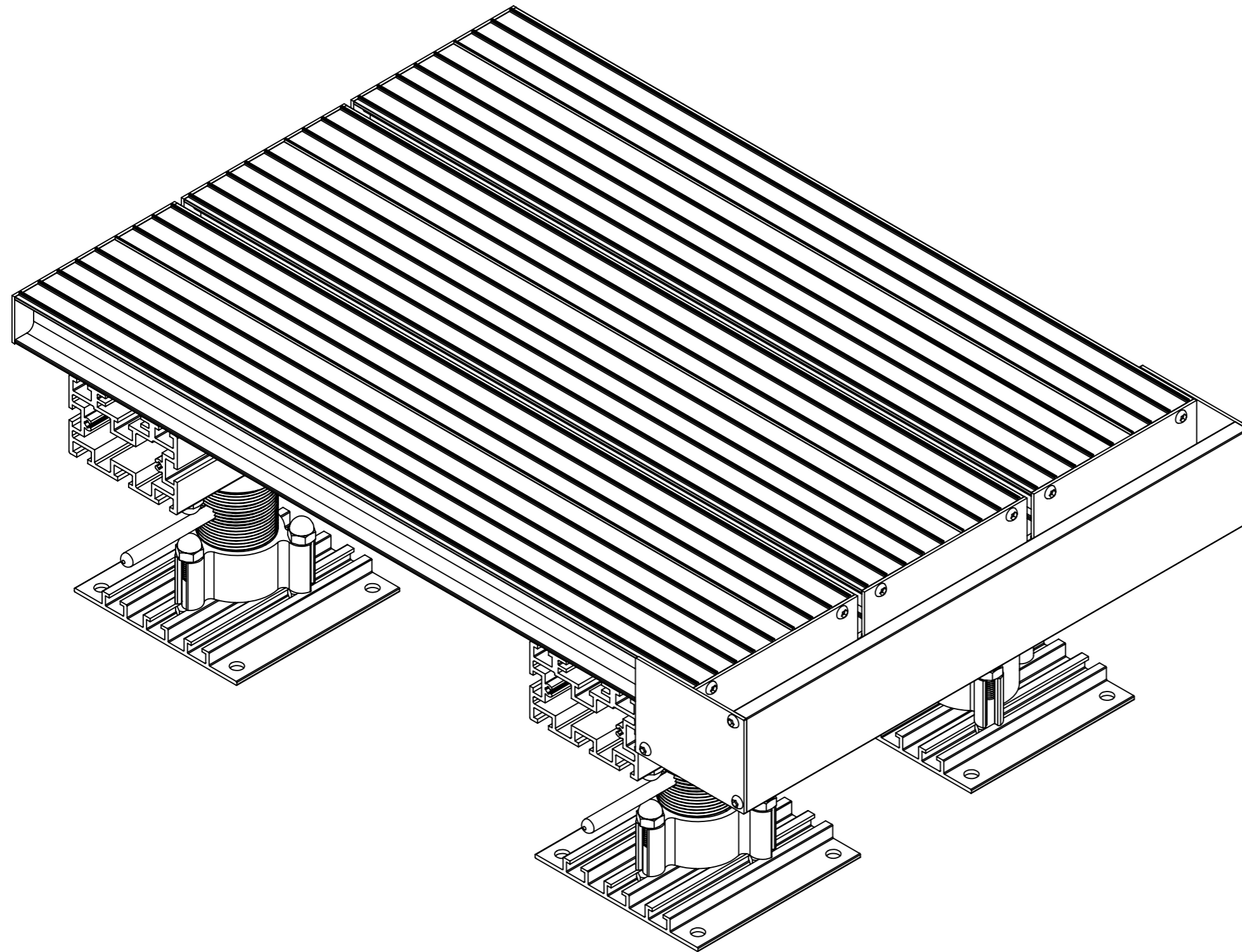
Drawing Title:

(Alideck)-(Drainage Channel & Gutter Channel Assembly) - (Standard Drawing)

Product:

Drainage Channel & Gutter Channel

Date	Page Size	Scale	Drawn
25-01-20	A3 (L)	DNS	Shyam
Issuer	Sequence	(Tol)	Rev
MIL	000001	+/- 1mm	V1
If in any doubt about details on this drawing call us on 01622 235 672		Finish	Page
	3rd Angle Projection	PPC	3 of 3



ISOMETRIC VIEW